



Addressable Fire Alarm Control Panel TR-75

Manual

Fire Alarm & Emergency Communication System Limitations

While a life safety system may lower insurance rates, it is not a substitute for life and property insurance!

An automatic fire alarm system—typically made up of smoke detectors, heat detectors, manual pull stations, audible warning devices, and a fire alarm control panel (FACP) with remote notification capability—can provide early warning of a developing fire. Such a system, however, does not assure protection against property damage or loss of life resulting from a fire.

An emergency communication system—typically made up of an automatic fire alarm system (as described above) and a life safety communication system that may include an autonomous control unit (ACU), local operating console (LOC), voice communication, and other various interoperable communication methods—can broadcast a mass notification message. Such a system, however, does not assure protection against property damage or loss of life resulting from a fire or life safety event.

The Manufacturer recommends that smoke and/or heat detectors be located throughout a protected premises following the recommendations of the current edition of the National Fire Protection Association Standard 72 (NFPA 72), manufacturer's recommendations, State and local codes, and the recommendations contained in the Guide for Proper Use of System Smoke Detectors, which is made available at no charge to all installing dealers. This document can be found at <http://www.systemsensor.com/appguides/>. A study by the Federal Emergency Management Agency (an agency of the United States government) indicated that smoke detectors may not go off in as many as 35% of all fires. While fire alarm systems are designed to provide early warning against fire, they do not guarantee warning or protection against fire. A fire alarm system may not provide timely or adequate warning, or simply may not function, for a variety of reasons:

Smoke detectors may not sense fire where smoke cannot reach the detectors such as in chimneys, in or behind walls, on roofs, or on the other side of closed doors. Smoke detectors also may not sense a fire on another level or floor of a building. A second-floor detector, for example, may not sense a first-floor or basement fire.

Particles of combustion or "smoke" from a developing fire may not reach the sensing chambers of smoke detectors because:

- Barriers such as closed or partially closed doors, walls, chimneys, even wet or humid areas may inhibit particle or smoke flow.
- Smoke particles may become "cold," stratify, and not reach the ceiling or upper walls where detectors are located.
- Smoke particles may be blown away from detectors by air outlets, such as air conditioning vents.
- Smoke particles may be drawn into air returns before reaching the detector.

The amount of "smoke" present may be insufficient to alarm smoke detectors. Smoke detectors are designed to alarm at various levels of smoke density. If such density levels are not created by a developing fire at the location of detectors, the detectors will not go into alarm.

Smoke detectors, even when working properly, have sensing limitations. Detectors that have photoelectronic sensing chambers tend to detect smoldering fires better than flaming fires, which have little visible smoke. Detectors that have ionizing-type sensing chambers tend to detect fast-flaming fires better than smoldering fires. Because fires develop in different ways and are often unpredictable in their growth, neither type of detector is necessarily best and a given type of detector may not provide adequate warning of a fire.

Smoke detectors cannot be expected to provide adequate warning of fires caused by arson, children playing with matches (especially in bedrooms), smoking in bed, and violent explosions (caused by escaping gas, improper storage of flammable materials, etc.).

Heat detectors do not sense particles of combustion and alarm only when heat on their sensors increases at a predetermined rate or reaches a predetermined level. Rate-of-rise heat detectors may be subject to reduced sensitivity over time. For this reason, the rate-of-rise feature of each detector should be tested at least once per year by a qualified fire protection specialist. Heat detectors are designed to protect property, not life.

IMPORTANT! Smoke detectors must be installed in the same room as the control panel and in rooms used by the system for the connection of alarm transmission wiring, communications, signaling, and/or power. If detectors are not so located, a developing fire may damage the alarm system, compromising its ability to report a fire.

Audible warning devices such as bells, horns, strobes, speakers and displays may not alert people if these devices are located on the other side of closed or partly open doors or are located on another floor of a building. Any warning device may fail to alert people with a disability or those who have recently consumed drugs, alcohol, or medication. Please note that:

- An emergency communication system may take priority over a fire alarm system in the event of a life safety emergency.
- Voice messaging systems must be designed to meet intelligibility requirements as defined by NFPA, local codes, and Authorities Having Jurisdiction (AHJ).
- Language and instructional requirements must be clearly disseminated on any local displays.
- Strobes can, under certain circumstances, cause seizures in people with conditions such as epilepsy.
- Studies have shown that certain people, even when they hear a fire alarm signal, do not respond to or comprehend the meaning of the signal. Audible devices, such as horns and bells, can have different tonal patterns and frequencies. It is the property owner's responsibility to conduct fire drills and other training exercises to make people aware of fire alarm signals and instruct them on the proper reaction to alarm signals.
- In rare instances, the sounding of a warning device can cause temporary or permanent hearing loss.

A life safety system will not operate without any electrical power. If AC power fails, the system will operate from standby batteries only for a specified time and only if the batteries have been properly maintained and replaced regularly.

Equipment used in the system may not be technically compatible with the control panel. It is essential to use only equipment listed for service with your control panel.

Alarm Signaling Communications:

- **IP connections** rely on available bandwidth, which could be limited if the network is shared by multiple users or if ISP policies impose restrictions on the amount of data transmitted. Service packages must be carefully chosen to ensure that alarm signals will always have available bandwidth. Outages by the ISP for maintenance and upgrades may also inhibit alarm signals. For added protection, a backup cellular connection is recommended.
- **Cellular connections** rely on a strong signal. Signal strength can be adversely affected by the network coverage of the cellular carrier, objects and structural barriers at the installation location. Utilize a cellular carrier that has reliable network coverage where the alarm system is installed. For added protection, utilize an external antenna to boost the signal.
- **Telephone lines** needed to transmit alarm signals from a premise to a central monitoring station may be out of service or temporarily disabled. For added protection against telephone line failure, backup alarm signaling connections are recommended.

The most common cause of life safety system malfunction is inadequate maintenance. To keep the entire life safety system in excellent working order, ongoing maintenance is required per the manufacturer's recommendations, and UL and NFPA standards. At a minimum, the requirements of NFPA 72 shall be followed. Environments with large amounts of dust, dirt, or high air velocity require more frequent maintenance. A maintenance agreement should be arranged through the local manufacturer's representative. Maintenance should be scheduled as required by National and/or local fire codes and should be performed by authorized professional life safety system installers only. Adequate written records of all inspections should be kept.

Limit-F-2020

Installation Precautions

Adherence to the following will aid in problem-free installation with long-term reliability:

WARNING - Several different sources of power can be connected to the fire alarm control panel. Disconnect all sources of power before servicing. Control unit and associated equipment may be damaged by removing and/or inserting cards, modules, or interconnecting cables while the unit is energized. Do not attempt to install, service, or operate this unit until manuals are read and understood.

CAUTION - System Re-acceptance Test after Software Changes:

To ensure proper system operation, this product must be tested in accordance with NFPA 72 after any programming operation or change in site-specific software. Re-acceptance testing is required after any change, addition or deletion of system components, or after any modification, repair or adjustment to system hardware or wiring. All components, circuits, system operations, or software functions known to be affected by a change must be 100% tested. In addition, to ensure that other operations are not inadvertently affected, at least 10% of initiating devices that are not directly affected by the change, up to a maximum of 50 devices, must also be tested and proper system operation verified.

This system meets NFPA requirements for operation at 0-49° C/32-120° F and at a relative humidity 93% ± 2% RH (non-condensing) at 32°C ± 2°C (90°F ± 3°F). However, the useful life of the system's standby batteries and the electronic components may be adversely affected by extreme temperature ranges and humidity. Therefore, it is recommended that this system and its peripherals be installed in an environment with a normal room temperature of 15-27° C/60-80° F.

Verify that wire sizes are adequate for all initiating and indicating device loops. Most devices cannot tolerate more than a 10% I.R. drop from the specified device voltage.

Like all solid state electronic devices, this system may operate erratically or can be damaged when subjected to lightning induced transients. Although no system is completely immune from lightning transients and interference, proper grounding will reduce susceptibility. Overhead or outside aerial wiring is not recommended, due to an increased susceptibility to nearby lightning strikes. Consult with the Technical Services Department if any problems are anticipated or encountered.

Disconnect AC power and batteries prior to removing or inserting circuit boards. Failure to do so can damage circuits.

Remove all electronic assemblies prior to any drilling, filing, reaming, or punching of the enclosure. When possible, make all cable entries from the sides or rear. Before making modifications, verify that they will not interfere with battery, transformer, or printed circuit board location.

Do not tighten screw terminals more than 9 in-lbs. Over-tightening may damage threads, resulting in reduced terminal contact pressure and difficulty with screw terminal removal.

This system contains static-sensitive components. Always ground yourself with a proper wrist strap before handling any circuits so that static charges are removed from the body. Use static suppressive packaging to protect electronic assemblies removed from the unit.

Units with a touchscreen display should be cleaned with a dry, clean, lint free/microfiber cloth. If additional cleaning is required, apply a small amount of Isopropyl alcohol to the cloth and wipe clean. Do not use detergents, solvents, or water for cleaning. Do not spray liquid directly onto the display.

Follow the instructions in the installation, operating, and programming manuals. These instructions must be followed to avoid damage to the control panel and associated equipment. FACP operation and reliability depend upon proper installation.

Precau-D2-11-2017

FCC Warning

WARNING: This equipment generates, uses, and can radiate radio frequency energy and if not installed and used in accordance with the instruction manual may cause interference to radio communications. It has been tested and found to comply with the limits for class A computing devices pursuant to Subpart B of Part 15 of FCC Rules, which is designed to provide reasonable protection against such interference when devices are operated in a commercial environment. Operation of this equipment in a residential area is likely to cause interference, in which case the user will be required to correct the interference at his or her own expense.

Canadian Requirements

This digital apparatus does not exceed the Class A limits for radiation noise emissions from digital apparatus set out in the Radio Interference Regulations of the Canadian Department of Communications.

Le présent appareil numérique n'émet pas de bruits radioélectriques dépassant les limites applicables aux appareils numériques de la classe A prescrites dans le Règlement sur le brouillage radioélectrique édicté par le ministère des Communications du Canada.

Triga™ is a trademark of TRIGA Life Safety Systems, LLC. Flexput®, Honeywell®, JumpStart®, and SWIFT® are registered trademarks of Honeywell International Inc. Microsoft® and Windows® are registered trademarks of the Microsoft Corporation. Chrome™ and Google™ are trademarks of Google Inc. Firefox® is a registered trademark of The Mozilla Foundation.

©2022. All rights reserved. Unauthorized use of this document is strictly prohibited.

Software Downloads

In order to supply the latest features and functionality in fire alarm and life safety technology to our customers, we make frequent upgrades to the embedded software in our products. To ensure that you are installing and programming the latest features, we strongly recommend that you download the most current version of software for each product prior to commissioning any system. Contact Technical Support with any questions about software and the appropriate version for a specific application.

Documentation Feedback

Your feedback helps us keep our documentation up-to-date and accurate. If you have any comments or suggestions about our online Help or printed manuals, you can email us.

Please include the following information:

- Product name and version number (if applicable)
- Printed manual or online Help
- Topic Title (for online Help)
- Page number (for printed manual)
- Brief description of content you think should be improved or corrected
- Your suggestion for how to correct/improve documentation

Send email messages to:

info@trigaglobal.com

or call +1 330-577-5199



This symbol (shown left) on the product(s) and / or accompanying documents means that used electrical and electronic products should not be mixed with general household waste. For proper treatment, recovery and recycling, contact your local authorities or dealer and ask for the correct method of disposal.

Electrical and electronic equipment contains materials, parts and substances, which can be dangerous to the environment and harmful to human health if the waste of electrical and electronic equipment (WEEE) is not disposed of correctly.

Table of Contents

Section 1: Introduction	9
1.1: Basic System Overview	9
1.1.1: Hardware Features	9
1.1.2: Network System Hardware Features	9
1.1.3: Software Features	9
1.2: About this Manual.....	10
1.2.1: Terms Used in this Manual.....	10
1.3: Compatible Products.....	10
1.4: Related Documentation	11
Section 2: Agency Listings, Approvals, and Requirements.....	12
2.1: Federal Communications Commission (FCC).....	12
2.1.1: Electrical Safety Advisory	12
2.2: Underwriters Laboratories (UL).....	13
2.2.1: Requirements for All Installations.....	13
2.2.2: UL 864 9th and 10th Edition	13
2.2.3: Requirements for Central Station Fire Alarm Systems	13
2.2.4: Requirements for Local Protected Fire Alarm Systems	13
2.2.5: Requirements for Remote Station Protected Fire Alarm Systems.....	13
2.2.6: Requirements for the Installation of Carbon Monoxide (CO) Detection and Warning Equipment, NFPA 72.....	14
2.2.7: NFPA Requirements	14
Section 3: Prerequisites for Installation.....	15
3.1: Inventory.....	15
3.2: Environmental Specifications.....	15
3.3: Software Downloads.....	15
3.4: Electrical Specifications	15
3.5: Calculating Current Draw and Standby Battery	16
3.5.1: Worksheet Requirements.....	16
3.5.2: Current Draw Worksheet for SLC Devices	16
Section 4: Control Panel Installation	20
4.1: Mounting the Control Panel Cabinet	20
4.1.1: Preventing Water Damage.....	20
4.1.2: Removing the TR-75 Assembly from the Housing	20
4.1.3: Dead Front Installation and Removal	20
4.2: Board Assembly Diagram	22
4.3: Wiring Specifications.....	22
4.4: AC Power Connection	23
4.5: Battery Power	24
4.5.1: Battery Accessory Cabinet	24
4.6: Wiring Specifications.....	26
4.6.1: Length Limitations.....	26
4.6.2: Calculating Wiring Distance for SBUS Modules.....	26
4.6.3: Wiring Configurations	28
4.7: TR-RD1G/R Remote Annunciator Installation.....	28
4.7.1: Mounting the TR-RD1G-R.....	28
4.8: TR-RD2G/R Remote Annunciator Installation.....	31
4.8.1: Mounting the TR-RD2G/R.....	31
4.8.2: TR-RD2G/R Connection to the Panel	33
4.9: TR-5824 Serial/Parallel Printer Interface Module Installation.....	33
4.9.1: Selecting TR-5824 Options	33
4.10: TR-5880 LED Driver Module	34
4.10.1: TR-5880 Board Layout.....	34
4.10.2: FACP Connection.....	35
4.10.3: LED Wiring	35
4.10.4: Dry Contact Wiring	36
4.11: TR-5865-3/TR-5865-4 LED Annunciator Installation	37
4.11.1: FACP Connection.....	37
4.11.2: TR-5865 Mounting	38
4.12: Configuring Modules.....	38
4.12.1: Assigning Module IDs	38

4.13: Telephone Connection	39
4.14: Notification Appliance/Auxiliary Power Circuits	39
4.14.1: Conventional Notification Appliance	40
4.15: Class A Notification Wiring	40
4.15.1: Auxiliary Power Installation	41
4.16: Onboard Relays (Conventional)	41
4.16.1: Common Trouble Relay	42
4.16.2: Programmable Relays	42
4.17: Remote Station Applications	42
4.17.1: Keltron Model 3158 Installation	42
4.17.2: City Box Connection Using the 5220 Module	42
4.17.3: NFPA 72 Polarity Reversal	43
4.17.4: Using a MR-201/T Control Relay From Air Products	44
4.17.5: Transmitter Activated by Dry Contacts	45
Section 5: Networking	46
5.1: Network System Hardware Features	46
5.1.1: Networked Panels	46
5.2: Direct Connect Wiring Option	46
5.3: SK-NIC Wiring Options	46
5.3.1: Fiber Loop Modules	47
5.3.2: TR-NIC Mounting Kits	47
5.4: SK-NIC Installation	47
5.4.1: Wiring	48
5.5: Setting the Network ID for Each Panel	50
Section 6: Network Management	52
6.1: Network Diagnostics	52
6.1.1: Ping Panel	52
6.1.2: Data Network Status	52
6.2: Network Programming	52
6.2.1: Learn Network	52
6.2.2: Edit Network Names	52
6.2.3: Edit Panel ID	52
6.2.4: Computer Access	53
6.2.5: Access Codes	53
6.2.6: Communicator Options	53
6.3: Sync Network Options	54
6.4: Network Management Quick Reference	55
Section 7: Programming Overview	56
7.1: JumpStart Auto-Programming	56
7.1.1: Input Points	56
7.1.2: Output Points	56
7.1.3: Running JumpStart Auto-Programming	56
7.2: Mapping Overview	57
7.2.1: Input Point Mapping	58
7.2.2: Output Circuit Mapping	58
7.2.3: Event Mapping	58
7.2.4: Mapping LED Points	60
7.3: Programming Using the HFSS Software Suite	60
7.4: Programming Using an Annunciator	60
7.4.1: Entering / Exiting the Program Menu	60
7.4.2: Moving through the Menus	61
7.4.3: Selecting Options and Entering Data	61
7.5: Programming Menu Quick Reference	61
Section 8: Programming	68
8.1: UL 864 Programming Requirements	68
8.2: Modules	68
8.2.1: Edit Modules	68
8.2.2: Adding Modules	69
8.2.3: Deleting Modules	69
8.2.4: View Module List	69

8.3: Zone	69
8.3.1: Edit Zone	69
8.3.2: View Zone Points	72
8.4: Group	72
8.4.1: Edit Group	72
8.4.2: View Group Points	73
8.4.3: Edit Output Group Template	73
8.5: Point	73
8.5.1: Point Programming for SLC	73
8.5.2: Point Programming for the Internal or External Power Module	76
8.5.3: Point Programming for TR-5880 and TR-5865 Modules	77
8.6: System Options	78
8.6.1: Communication Options	78
8.6.2: Daytime/Nighttime Sensitivity	81
8.6.3: Holiday Days	81
8.6.4: Time Options	81
8.6.5: Miscellaneous Options	82
8.6.6: Daylight Saving Options	83
8.6.7: Edit Banner	83
8.6.8: SLC Family	83
8.7: JumpStart Auto-Programming	84
8.8: Restore Defaults	84
Section 9: System Operation	85
9.1: Annunciator Description	85
9.1.1: LCD Display	85
9.1.2: Banner	85
9.2: Menu System	85
9.2.1: Panel Login Menu	85
9.2.2: Main Menu Overview	87
9.2.3: Using the Menus	87
9.3: Basic Operation	87
9.3.1: Setting Time and Date	87
9.3.2: Disable / Enable a Point	87
9.3.3: View Event History	88
9.3.4: Conduct a Fire Drill	88
9.3.5: Conduct an Indicator Test	88
9.3.6: Conduct a Walk Test	88
9.3.7: Conduct a Communicator Test	89
9.3.8: Manual AlarmNet Registration	89
9.3.9: Silence Alarms or Troubles	89
9.3.10: Reset Alarms	89
9.3.11: Check Detector Sensitivity Through Point Status	89
9.3.12: View Status of a Point	90
9.3.13: View Alarms, Supervisories, or Troubles	90
9.3.14: View System Information	90
9.4: Operation Mode Behavior	91
9.5: Panel Operating Modes	92
9.5.1: Multi-Site Annunciator and Multi-Site User Access	94
9.6: Releasing Operations	94
9.6.1: Single Interlock Zone Releasing	95
9.6.2: Double Interlock Zone Releasing	95
9.7: Smoke Alarm Verification	96
9.8: Function Keys	96
9.8.1: Recording an F-Key Macro	96
9.8.2: Aborting an F-Key Macro Recording Session	96
9.8.3: Erasing an F-Key Macro	96
9.8.4: Using a Recorded F-Key Macro	97
9.8.5: F-Key Status Event	97
9.8.6: F-Key Map Inhibit	97
Section 10: Reporting	98
10.1: Receivers Compatible with the Control Panel	98

10.2: SIA / TR-75 Panels PI Modifier Reporting	107
10.3: SIA- TR-75 Panel Communicator.....	108
Section 11: Testing and Troubleshooting.....	109
11.1: Troubleshooting	109
11.2: Troubleshooting Common Problems	109
11.2.1: Periodic Testing And Maintenance	109
11.2.2: Event History	109
11.3: Built-in Troubleshooting and Testing Tools.....	110
11.3.1: SLC Device Locator	110
11.3.2: SLC Multi Locator	110
11.3.3: I/O Point Control	110
11.4: Earth Fault Resistance.....	111
Section 12: Installation Records	112
12.1: SLC Device Point Record.....	112
Appendix A: Editing Text Using the Built-In Programmer.....	113
A.1: Characters Used for Editing Text.....	113
A.2: Edit Name Example	113
Appendix B: Expanded Receiver/Panel Relationship	114
Appendix C: Cadence Patterns	115
Appendix D: Panel Security.....	116
Model TR-75 Basic Operating Instructions	117

Section 1: Introduction

The TR-75 and TR-75B Fire Alarm Control / Communicators are Addressable Fire Alarm Control Systems that meet the requirements of UL 864 10th Edition Standard.



NOTE: All references to TR-75 within this manual are applicable to the TR-75 and TR-75B unless specified.

1.1 Basic System Overview

1.1.1 Hardware Features

- The TR-75 has one built in signaling line circuit (SLC) that supports 75 detectors and 75 modules.
- The TR-75 is capable of outputting 2.5A of output power during an alarm activation through 2 sets of terminals for the notification appliance circuits or an auxiliary application. Each circuit is power-limited and can source up to 2.5A during an alarm activation. The constant auxiliary power load must not exceed 1A for normal standby.



NOTE: Total output power for both circuits must not exceed 2.5A in alarm condition, and total output power for both circuits must not exceed 1.0A for all other activation conditions (i.e. Supervisory, Trouble, etc.).

- Built-in dual phone line, digital alarm communicator/transmitter (DACT), or IP technologies.
- Reports events to central station by point or by zone.
- UL Listed for pre-action and deluge releasing systems.
- Two general purpose Form C programmable relays.
- One Form C Trouble Relay.
- Basic system operation can be performed from the onboard, or any remote annunciator.
- Up to 20 user profiles can be programmed, each having custom Access Code, and Main Menu items.
- Can be used with any combination of up to 8 Model TR-RD1G/R or TR-RD2G/R Remote LCD Annunciators (sold separately).
- Can be used with Model TR-5865-3, TR-5865-4, and TR-5880 in any combination for a total of eight devices on one control panel. See Figure 4.29 and Figure 4.25 for additional information on these models.
- Printing of event log available through the Model TR-5824 serial/parallel printer interface module.
- 125 software zones, 125 Output Groups.



NOTE: The system can support a maximum of eight TR-RPS1 intelligent power modules.

1.1.2 Network System Hardware Features

- The default network setup can contain up to 32- TR-75 panels connected.
- Network support for up to 32 Sites.
- Each building is referred to as a “site”.
- Panels can be interconnected using CLASS B or CLASS A topology.
- Use the TR-NIC Network Interface Card to create a network. Copper wire or fiber-optic cable panel connectivity can be used within the same networked System.
- The network architecture provides true peer-to-peer capability allowing network survivability for all hardware that remains operational in the event of partial system failure.

1.1.3 Software Features

- Advanced smoke detector features:
 - Automatic drift compensation
 - Maintenance alert region
 - Point status meets calibrated smoke test requirements for NFPA 72
- “JumpStart” feature for easy programming
- Non-volatile event history stores 1000 events
- A choice of output patterns available for notification outputs, including Temp 4 along with ANSI 3.41 temporal signal
- Built-in synchronization appliance support for AMSECO, Gentex, Wheelock, or System Sensor

1.2 About this Manual

This manual is intended to be a complete reference for all installation and operation tasks for the TR-75.

1.2.1 Terms Used in this Manual

The following terminology is used with the TR-75 system:

Term	Description
SLC	Signaling Line Circuit
Module	The term module is used for all hardware devices except for SLC addressable devices and notification appliances. This includes the TR-75 panel itself.
Input Point	An addressable sensing device, such as a smoke or heat detector or a contact monitor device.
Input Zone	A protected area made up of input points.
Output Point (or Output Circuit)	A notification point or circuit for notification appliances. Relay circuits and auxiliary power circuits are also considered output points.
Group (or "Output Group")	A group of output points. Operating characteristics are common to all output points in the group.
Output (or "Cadence") Pattern	The pattern that the output will use, for example, Constant, March Code, ANSI 3.41. Applies to zones and special system events. See Appendix D for additional information.
Mapping	Mapping is the process of specifying which outputs are activated when certain events occur in the system. Figure 7.2 describes mapping in detail.
Network System	Consists of any combination of 32 panels of these model numbers: TR-75, TR-2100, or TR-2100ECS.
SWIFT	Smart Wireless Integrated Fire Technology

Table 1.1 Manual Terminology

1.3 Compatible Products

The chart below lists the products available for use with the TR-75.

Type of Device	Model	Description
Triga Addressable SLC Devices	For a list of compatible devices, refer to the SLC Wiring Manual, P/N: LS10179-000TR-E.	
SWIFT Wireless SLC Devices	For a list of compatible devices, refer to the SWIFT Manual, P/N: LS10036-000TR-E.	
Other Modules	TR-5824 Serial/Parallel Printer Interface Module	Allows a printer to be attached for the on-site event logging. Maximum of four TR-5824s per control panel.
	TR-RPS1 Power Supply	Provides additional power, six Flexput circuits, and two Form C relays. Max 8 per system. See TR-RPS1 Installation Manual (PN LS10259-002TR-E) for more information.
	TR-RD1G/R LCD Annunciator	4 x20 Remote LCD annunciator. Can be used in any combination, up to a total of 8 devices on one panel.
	TR-RD2G-R LCD Annunciator	4 x 40 Remote LCD annunciator can be used in any combination, up to a total of 8 devices on one panel.
	TR-5865-3 and TR-5865-4 LED Annunciator	LED annunciator can display up to 30 LEDs (15 red and 15 yellow). TR-5865-4 has key switches for silence and reset, and a system trouble LED. TR-5865-3, TR-5865-4, and TR-5880 can be used in any combination, up to a total of eight devices on one panel.
	RA-100TG/R Trim Rings	Trim ring kit for surface mounting the TR-RD2G/R annunciators.
	5860TG and 5860TR Trim Rings	Trim ring kits for surface mounting the TR-RD1G/R annunciator. 5860TG is gray; 5860TR is red.
	TR-5880 LED Driver Module	Driver for up to 40 LEDs. Interfaces with customized annunciator boards. In addition the TR-5880 has eight generic switch input points.
	TR-5883 General Purpose Relay Module	Provides 10 Form C relays. Designed to be driven by the TR-5880. Up to four, TR-5883s can be used with each TR-5880 module.
	TR-NIC	Network Interface Card
	TR-FML	Fiber-Optic Multi Mode
TR-FSL	Fiber-Optic Single Mode	

Table 1.2 TR-75 Compatible Products

Type of Device	Model	Description
Wireless	TRW-GI	Wireless Gateway
	TRW-PHOTO	Wireless Photoelectric Smoke Detector
	TRW-ACCLIMATE	Wireless Multi-criteria Smoke Detector
	TRW-HEAT-ROR	Wireless ROR Heat Detector
	TRW-HEAT	Wireless Fixed Heat (57°C) Detector
	TRW-MONITOR	Wireless Addressable Monitor Module
	TRW-RELAY	Wireless Addressable Relay Module
	TRW-B210W	6" wireless base
Miscellaneous	HFSS Programming Tool	For communication and panel programming with a Windows-based computer. Enables remote viewing of detector status and event history.
	7860 Telephone Cord	RJ31X cord for connecting phone line to the TR-75.
	7628	UL Listed End-of-line resistor

Table 1.2 TR-75 Compatible Products (Continued)

1.4 Related Documentation

Refer to the following documents for more information.

Title	Document Number
SLC Wiring Manual	LS10179-000TR-E
Device Compatibility Document	LS10167-006TR-E
TR-5824 Printer Interface Module Install Sheet	LS10254-002TR-E
TR-RPS1 Power Supply Manual	LS10259-002TR-E
TR-RD1G/R LCD Annunciator Install Sheet	LS10258-002TR-E
TR-RD2G-R LCD Annunciator	LS10261-002TR-E
TR-5865-3 and TR-5865-4 LED Annunciator	LS10255-002TR-E
TR-5880 LED Driver Module	LS10256-002TR-E
TR-5883 General Purpose Relay Module	LS10257-002TR-E
TR-NIC	LS10172-003TR-E
TR-FML/FSL	LS10178-003TR-E
MRD-1 Releasing Disconnect	LS10231-000GE-E

Table 1.3 Related Documentation

Section 2: Agency Listings, Approvals, and Requirements

Install and maintain this panel in accordance with NFPA 72. Detector spacing shall be done in accordance to NFPA 72. End-of-line relays and resistors shall be placed within the electrical box located at the end of the initiating circuit. Testing and maintenance should be performed in compliance with NFPA 72.

2.1 Federal Communications Commission (FCC)

The following information must be provided to the Telephone Company before the TR-75 can be connected to the phone lines:

Manufacturer:	Triga
Model Number:	TR-75
FCC registration number:	US: HS9AL10A2100
Ringer equivalence:	1.0A
Type of jack:	RJ31X
Facility Interface Codes:	Loop Start: 02LS2
Service Order Code:	9.0F

1. This device may not be directly connected to the coin telephone or party line services.
2. This device cannot be adjusted or repaired in the field. In case of trouble with the device, notify the installing company or return to:
Triga
7600 Olde Eight Road
Hudson, OH 44236-1057
(330)577-5199
3. If the TR-75 causes harm to the telephone network, the Telephone Company will notify the user in advance that temporary discontinuance of service may be required. If advance notice is not practical, the Telephone Company will notify the user as soon as possible. Users have the right to file complaints, if necessary, with the Federal Communications Commission.
4. The Telephone Company may make changes in its facilities, equipment, operations, or procedures that could affect the operation of the equipment. If this happens, the Telephone Company will provide advance notice to allow you to make the necessary modifications to maintain uninterrupted service.

WARNING: FCC RULES PART 15



THIS DEVICE HAS BEEN VERIFIED TO COMPLY WITH FCC RULES PART 15. OPERATION IS SUBJECT TO THE FOLLOWING CONDITIONS: (1) THIS DEVICE MAY NOT CAUSE RADIO INTERFERENCE, AND (2) THIS DEVICE MUST ACCEPT ANY INTERFERENCE RECEIVED, INCLUDING INTERFERENCE THAT MAY CAUSE UNDESIRABLE OPERATION.

5. This equipment complies with Part 68 of the FCC rules and the requirements adopted by the ACTA. On the wiring diagram of this equipment is a label that contains, among other information, a product identifier in the format US: HS9AL10A2100. If requested, this number must be provided to the Telephone Company.
6. See the manual for phone jack information.
7. A plug and jack used to connect this equipment to the premises wiring and telephone network must comply with the applicable FCC Part 68 rules and requirements adopted by the ACTA. A compliant telephone cord and modular plug is provided with this product. It is designed to be connected to a compatible modular jack that is also compliant. See installation instructions for details.
8. The REN (Ringer Equivalence Number) provided on this installation sheet is used to determine the number of devices that may be connected to the public switched telephone network. This number must not exceed 5.0. Since this product has an REN of 1.0A, the number of devices is limited. The REN number is embedded in the FCC registration number as 10A.
9. If this equipment TR-75 causes harm to the telephone network, the Telephone Company will notify you in advance that temporary discontinuance of service may be required. But if advance notice isn't practical, the Telephone Company will notify the customer as soon as possible. Also, you will be advised of your right to file a complaint with the FCC if you believe it is necessary.
10. The Telephone Company may make changes in its facilities, equipment, operations or procedures that could affect the operation of the equipment. If this happens the Telephone Company will provide advance notice in order for you to make necessary modifications to maintain uninterrupted service.
11. If trouble is experienced with the TR-75, for repair or warranty information, please contact Technical Support at (330)577-5199 or www.trigaglobal.com. If the equipment is causing harm to the telephone network, the Telephone Company may request that you disconnect the TR-75 until the problem has been resolved.
12. See the Manufacturer's Warranty for repair and replacement information.
13. Connection to party line service is subject to state tariffs. Contact the state public utility commission, public service commission or corporation commission for information.
14. If your facility has specially wired alarm equipment connected to the telephone line, ensure the installation of this TR-75 does not disable your alarm equipment. If you have questions about what will disable alarm equipment, consult your Telephone Company or qualified installer.

2.1.1 Electrical Safety Advisory

Parties responsible for equipment requiring AC power should consider including an advisory notice in their customer information, suggesting the customer use a surge arrester. Telephone Companies report that electrical surges, typically lightning transients, are very destructive to customer terminal equipment connected to AC power sources. This has been identified as a major nationwide problem.

**CAUTION: INSTALLATION AND TEST**

TO ENSURE PROPER OPERATION, THIS EQUIPMENT MUST BE INSTALLED ACCORDING TO THE ENCLOSED INSTALLATION INSTRUCTIONS. TO VERIFY THAT THE EQUIPMENT IS OPERATING PROPERLY AND CAN SUCCESSFULLY REPORT AN ALARM, THIS EQUIPMENT MUST BE TESTED IMMEDIATELY AFTER INSTALLATION, AND PERIODICALLY THEREAFTER, ACCORDING TO THE ENCLOSED TEST INSTRUCTIONS.

**CAUTION: LINE IN USE**

IN ORDER FOR "ALARM DIALING EQUIPMENT" TO BE ABLE TO SEIZE THE PHONE LINE TO REPORT AN ALARM OR OTHER EVENT WHEN OTHER CUSTOMER EQUIPMENT (TELEPHONE, ANSWERING SYSTEM, COMPUTER MODEM, ETC.) CONNECTED TO THE SAME LINE IS IN USE, "ALARM DIALING EQUIPMENT" MUST BE CONNECTED TO A PROPERLY INSTALLED RJ31X JACK. THE RJ31X JACK MUST BE CONNECTED IN SERIES WITH, AND AHEAD OF, ALL OTHER EQUIPMENT ATTACHED TO THE SAME PHONE LINE. SERIES INSTALLATION OF AN RJ31X JACK IS DEPICTED IN THE FIGURE BELOW. IF YOU HAVE ANY QUESTIONS CONCERNING THESE INSTRUCTIONS, CONSULT YOUR TELEPHONE COMPANY OR A QUALIFIED INSTALLER ABOUT INSTALLING THE NECESSARY JACK AND ALARM DIALING EQUIPMENT.

2.2 Underwriters Laboratories (UL)

2.2.1 Requirements for All Installations

General requirements are described in this section. When installing an individual device, refer to the specific section of the manual for additional requirements. The following subsections list specific requirements for each type of installation (for example, Central Station Fire Alarm Systems, Local Protected Fire Alarm Systems, and so on). See Section 9.6 for information on releasing operation.

1. All field wiring must be installed in accordance with the NFPA 70 National Electric Code.
2. Use addressable smoke detectors specified in the *SLC Wiring Manual*, P/N: LS10179-000TR-E.
3. Use UL listed notification appliances compatible with the TR-75 from those specified in the *Device Compatibility Document*, P/N: LS10167-006TR-E.
4. A full System checkout must be performed any time the panel is programmed.

Restricted Options

- The loss of AC signal is defaulted to 3 hours. However, the System allows settings from 0 - 30 hours. For UL-certified installations, this number must be set from 1 to 3 hours.
- The system allows the use of non-latching spot type smoke detectors. This feature may not be used in commercial applications whereby a general alarm is sounded. It is intended for elevator recall, door holding applications, and hotel/motel room applications.
- The system allows the Alarm Verification time to be set from 60 to 250 seconds. For UL-certified installations, the setting must be a maximum of 60 seconds.
- The system allows the Auto-resound time to be set to 4 or 24 hours. For UL certified installations that are using SWIFT devices, the value must be set to 4 hours.
- Call forwarding shall not be used.
- When two-count is used, detector spacing shall be cut in half, you shall not use the alarm verification feature, and no delay shall be used.
- P.A.S (Positive Alarm Sequence) feature shall be used only with automatic detectors.

2.2.2 UL 864 9th and 10th Edition

- Per the UL Continuing Certification Program, UL 864 9th edition fire alarm control equipment will retain certification after the rollout of UL 10th edition (12/2/2018).
- Installations of UL 864 10th Edition certified equipment are permitted to use UL864 9th Edition certified equipment when approved by the local Authority Having Jurisdiction (AHJ).

For product compliance, refer to the UL/ULC listing cards located on the UL online certification directory. <https://iq.ulprospector.com>

2.2.3 Requirements for Central Station Fire Alarm Systems

1. Use both phone lines. Enable phone line monitors for both lines.
2. You must program a phone number and a test time so that the TR-75 shall automatically initiate and complete a test signal transmission sequence to its associated receiver at least once every 6-hours, using two phones or one phone line with Ethernet backup. The AC Loss Hours option must be set from 1-3 hours.
3. If you use wired Ethernet or cellular, you must program the corresponding Account/Subscriber ID and a test time so that the FACP shall automatically initiate a test signal transmission sequence to its associated receiver at least once every 6-hours.

The automatic 6-hour test signal transmission only applies if secondary communication paths are used. If no secondary communication paths are used, the FACP shall automatically initiate a test signal transmission sequence to its associated receiver at least once every 60 minutes.

2.2.4 Requirements for Local Protected Fire Alarm Systems

At least one UL listed supervised notification appliance must be used.

2.2.5 Requirements for Remote Station Protected Fire Alarm Systems

1. Do not exceed the current load restrictions shown in Section 3.5.
2. The AC Loss Hours option must be set from 1-3 hours.

2.2.6 Requirements for the Installation of Carbon Monoxide (CO) Detection and Warning Equipment, NFPA 72

When using carbon monoxide detection the system must be monitored by a Supervising Station with emergency response, both aspects meeting the Standard for the Installation of Carbon Monoxide (CO) Detection and Warning Equipment, NFPA 72.

2.2.7 NFPA Requirements

The following is the minimum configuration necessary to comply with the NFPA requirements.

Model/Module	Description	Local	Releasing	Remote Station	Auxiliary	Central Station	Emergency Signaling
TR-75	Control Unit	Y	Y	Y	Y	Y	Y
5220	Direct Connect Module	N	N	N	Y	N	O
TR-5865-3/-4	LED Annunciator	O	O	O	O	O	O
TR-5880	LED I/O Module	O	O	O	O	O	O
TR-RPS1	Intelligent Power Module	O	Y*	O	O	O	O
TR-RD1G/R	LCD Annunciator	O	O	O	O	O	O
TR-RD2G/R	LCD Annunciator	O	O	O	O	O	O
TRNIC	Network card	O	O	O	O	O	O
TR-FML/ -FSL	Fiber modules	O	O	O	O	O	O
Y = YES, N = NO, O = OPTIONAL							
Note: Y * = You must include the TR-RPS1 for releasing purposes.							

Table 2.1 NFPA Requirement for Minimum System Configuration for TR-75

Section 3: Prerequisites for Installation

This section of the Manual is intended to help you plan your tasks to facilitate a smooth installation. Please read this section thoroughly, especially if you are installing a TR-75 panel for the first time.

3.1 Inventory

When the TR-75 shipment is received, check that all the parts have been included in the shipment. The shipment consists of one of each of the following:

- main circuit board with the display
- backbox with door
- plastic bag containing two keys, screws, cables, and ten 4.7K ohm end-of-line resistors
- manual

3.2 Environmental Specifications

It is important to protect the TR-75 control panel from water. To prevent water damage, the following precautions should be FOLLOWED when you install the units:

- Intended for indoor use in dry locations only.
- Do not mount the panel directly on exterior walls, especially masonry walls (condensation).
- Do not mount the panel directly on exterior walls below grade (condensation).
- Protect the panel from plumbing leaks.
- Protect the panel from splash caused by Sprinkler System inspection ports.
- Do not mount the panel in areas with humidity-generating equipment (such as dryers, production machinery).

When you select a location to mount the TR-75 control panel, the unit should be mounted where it will NOT be exposed to temperatures outside the range of 0°C-49°C (32°F-120°F) or humidity outside the range of 10%-93% at 30°C (86°F) non-condensing.

3.3 Software Downloads

In order to supply the latest features and functionality in fire alarm and life safety technology to our customers, we make frequent upgrades to the embedded software in our products. To ensure that you install and program the latest features, we strongly recommend that you download the most current version of software for each product prior to commissioning any System. Contact Technical Support with any questions about software and the appropriate version for a specific application. The HFSS Software Suite is available at www.trigaglobal.com.

3.4 Electrical Specifications

Table 3.1 lists the terminal block on the TR-75 as well as a description of each individual terminal and their respective electrical rating. For the location of the terminals, refer to Figure 4.3. See also Section 4 for installation information.

Terminal No.	Label		Description	Rating	
	Group	Individual		Voltage	Current
Terminal Block 3	TELCO 1	RING	Phone Line 1 Telco Ring		
		TIP	Phone Line 1 Telco Tip		
	PHONE 1	RING	Phone Line 1 Phone Ring		
		TIP	Phone Line 1 Phone Tip		
	TELCO 2	RING	Phone Line 2 Telco Ring		
		TIP	Phone Line 2 Telco Tip		
	PHONE 2	RING	Phone Line 2 Phone Ring		
		TIP	Phone Line 2 Phone Tip		
Terminal Block 2	RELAY 1	NO	Normally open relay contact	27.4 VDC	2.5 A, resistive
		COM	Common terminal		
		NC	Normally closed relay contact		
	RELAY 2	NO	Normally open relay contact	27.4 VDC	2.5 A, resistive
		COM	Common terminal		
		NC	Normally closed relay contact		
	TROUBLE	NO	Normally open relay contact	27.4 VDC	2.5 A, resistive
		COM	Common terminal		
		NC	Normally closed relay contact		
	SLC IN	-	Used for Class A installations	32 VDC	100 mA
		+			
	SLC OUT	-	SLC terminals	32 VDC	100 mA
		+			
	SLC PROG	-	Used for programming SLC Detectors	32 VDC	100 mA
		+			

Table 3.1 Terminal Descriptions and Electrical Specifications

Terminal No.	Label		Description	Rating	
	Group	Individual		Voltage	Current
Terminal Block 2	SBUS	–	SBUS Power	27.4 VDC	0.5 A
		+			
		A	SBUS Communication	5 VDC	100 mA
		B			
	NAC1 ¹	–	Notification Appliance Circuit/Auxiliary power	27.4 VDC	1 Amp NAC or Aux power
		+			
NAC2 ¹	–	Notification Appliance Circuit/Auxiliary power	27.4 VDC	1 Amp NAC or Aux power	
	+				
P7	Data Network		Used for TR-NIC	24 VDC	21 mA

Table 3.1 Terminal Descriptions and Electrical Specifications (Continued)

¹ Regulated NAC application. When programmed for Releasing, the NACs are Special Application.

3.5 Calculating Current Draw and Standby Battery

This section contains instructions and tables for calculating current draws and standby battery needs.

3.5.1 Worksheet Requirements

The following steps must be taken when determining TR-75 current draw and standby battery requirements.

Filling in the Current Draw Worksheet, Table 3.2

- For the TR-75, the worst case current draw is listed for the panel, addressable devices, and SLC expanders. Fill in the number of addressable devices and expanders that will be used in the system and compute the current draw requirements for alarm and standby.
- Add up the current draw for all auxiliary devices and record in the table at Line B.
- Add up all notification appliance loads and record in the table at Line C.
- For notification appliances and auxiliary devices not mentioned in the manual, refer to the device manual for the current ratings.
- Make sure that the total alarm current calculated, including current for the panel itself, does not exceed 2.5 A. This is the maximum alarm current allowable.
If the current is above 2.5 A, you will need to use a notification power expander(s). Use the expander(s) to distribute the power loads, so that the TR-75 or the power expanders do not exceed their power rating.
- Complete the remaining instructions in the table for determining battery size requirements.

3.5.2 Current Draw Worksheet for SLC Devices

Use Table 3.2 to determine the current requirements during the alarm/battery standby operation when Triga SLC devices are installed. You can install up to 75 detectors *and* 75 modules.

Device	# of Devices	Current per Device		Standby Current	Alarm Current
For each device use this formula: This column X This column = Current per number of devices.					
Fire Panel (Current draw from battery)	1	Standby	165 mA	165 mA	
		Alarm:	310 mA		310 mA ¹
Addressable SLC Detectors					
TR-PHOTO-W/-IV				mA	mA
TR-PHOTO-T-W/-IV				mA	mA
TR-PHOTO-R-W/-IV				mA	mA
TR-HEAT-W/-IV				mA	mA
TR-HEAT-HT-W/-IV		Standby:	0.2 mA	mA	mA
TR-HEAT-ROR-W/-IV		Alarm:	4.5 mA ²	mA	mA
TR-OSI-RI		SLC	Standby/Alarm: 20 mA	mA	mA
		Aux. Pwr	Standby:	22 mA	mA
			Alarm:	20 mA	
TR-DNR/DNRW ³ (non-relay)		None, included with TR-PHOTO-R-W/-IV			
TR-DNR ³ (with relay)		None, included with & TR-RELAY			
TR-FIRE-CO-W/-IV		SLC	Standby:	0.20 mA	mA
			Alarm:	4.5 mA	

Table 3.2 Current Draw Worksheet for IDP SLC Devices

Device	# of Devices	Current per Device		Standby Current	Alarm Current
TR-PTIR-W/-IV		SLC	Standby: 0.20 mA	mA	
			Alarm: 4.5 mA		
Addressable SLC Modules					
TR-MONITOR		Standby/Alarm 0.375 mA		mA	mA
TR-MINIMON		Standby/Alarm 0.375 mA		mA	mA
TR-PULL-SA/TR-PULL-DA		Standby/Alarm 0.3 mA		mA	mA
TR-MONITOR-2		Standby/Alarm: 0.75 mA		mA	mA
TR-MONITOR-10		Standby/Alarm: 3.5 mA		mA	mA
TR-CONTROL		SLC	Standby 0.375 mA	mA	
			Alarm: 0.375 mA		
		Aux Pwr	Standby 1.7 mA	mA	
			Alarm: 6.5mA		
TR-CONTROL-6		SLC	Standby 2.65 mA	mA	
			Alarm: 35 mA		
		Aux Pwr	Standby 8 mA	mA	
			Alarm: 20 mA		
TR-RELAY		Standby/Alarm: 0.255 mA		mA	mA
TR-RELAY-6		Standby: 1.9 mA		mA	
		Alarm: 32 mA			
TR-RELAYMON-2		Standby: 1.3 mA		mA	
		Alarm: 24 mA			
TR-ZONE		Aux Pwr	Standby 12 mA	mA	
			Alarm: 90 mA		
		SLC	Standby: 0.27 mA	mA	
			Alarm: 5.1 mA		
TR-ZONE-6		Aux Pwr	Standby 50 mA	mA	
			Alarm: 70 mA		
		SLC	Standby 2.3 mA	mA	
			Alarm: 40 mA		
SLC Accessories					
TR-B200SR-W/-IV Sounder Base		Aux Pwr	Standby: 0.5 mA	mA	
			Alarm: 35 mA		
		SLC	Standby 0.3 mA	mA	
TR-B200S-W/-IV Intelligent Sounder Base		Aux Pwr	Standby: 0.5 mA	mA	
			Alarm: (high vol) 35 mA		
		SLC	Standby 0.3 mA	mA	
TR-B200SR-LF-W/-IV Low Frequency Sounder Base		Aux Pwr	Standby: 1 mA	mA	
			Alarm: 125 mA		
TR-B200S-LF-W/-IV Intelligent Low Frequency Sounder Base		Aux Pwr	Standby 0.55 mA	mA	
			Alarm (high vol) 140 mA		
		SLC	Standby 0.30 mA	mA	
TR-B224RB-W/-IV Relay Base		Standby/Alarm: 0.17 mA		mA	mA
RTS151		Alarm: 10 mA			mA
RTS151KEY		Alarm: 12 mA			mA
TR-RA100Z		Alarm: 10 mA			mA
SLC Isolator Devices					
TR-ISO (Isolator Module)		Standby: 0.45 mA		mA	mA
		Isolation: 17 mA			

Table 3.2 Current Draw Worksheet for IDP SLC Devices (Continued)

Device	# of Devices	Current per Device	Standby Current	Alarm Current
TR-ISO-6 (6 Fault Isolator Module)		Standby: (per circuit) 0.45 mA	mA	
		Isolation: (per circuit) 17 mA		mA
TR-B224BI-W/-IV Isolator Base		Standby: 0.45 mA	mA	
		Isolation: 15 mA		mA
Accessories Modules⁴				
TR-RD2G/R Remote LCD Annunciator		Standby: 27 mA	mA	
		Alarm: 53 mA		mA
TR-RD1G/R Remote LCD Annunciator		Standby: 58 mA	mA	
		Alarm: 68 mA		mA
TR-5824 Serial/Parallel Module		Standby/Alarm: 45 mA	mA	mA
TR-RPS1 Power Supply		Standby/Alarm (SBUS): 10 mA	mA	mA
TR-5865-4 LED Annunciator (with reset and silence switches)		Standby: 35 mA	mA	
		Alarm: 145 mA		mA
TR-5865-3 LED Annunciator Module		Standby: 35 mA	mA	
		Alarm: 145 mA		mA
TR-5880 LED I/O Module		Standby: 35 mA	mA	
		Alarm: 200 mA		mA
TR-5883 Relay Interface		Standby: 0 mA	mA	
		Alarm: (22 mA/relay) 220 mA		mA
Network Cards				
TR-NIC Network Interface Card		Standby/Alarm: 21 mA	mA	mA
TR-FML Fiber Optic Multi Mode		Standby/Alarm: 53 mA	mA	mA
TR-FSL Fiber Optic Single Mode		Standby/Alarm: 79 mA	mA	mA
Wireless Modules				
TRW-GI Wireless Gateway		Max current using ext supply 40 mA	mA	mA
		Max current SLC Power 24 mA	mA	mA
A	Total System Current			
Auxiliary Devices		Refer to devices manual for current rating		
		Alarm/Standby: mA	mA	mA
		Alarm/Standby: mA	mA	mA
B	Auxiliary Devices Current ⁵			
Notification Devices		Refer to device manual for current rating		
		Alarm: mA		mA
		Alarm: mA		mA
		Alarm: mA		mA
C	Notification Appliances Current			mA
D	Total current ratings of all devices in system (line A + line B + C)		mA	mA
E	Total current ratings converted to amperes (line D x 0.001):		A	A
F	Number of standby hours		H	
G	Multiply lines E and F. Total standby AH		AH	
H	Alarm sounding period in hours. (For example, 5 minutes = 0.0833 hours)			H
I	Multiply lines E and H. Total alarm AH			AH
J	Add lines G and I.		AH	
	Multiply by the Derating Factor		1.25	
	Total ampere hours required ⁶		AH	

Table 3.2 Current Draw Worksheet for IDP SLC Devices (Continued)

- The FACP can only support 5 devices with LEDs on. The current draw has been added to the panels alarm current.
- Total does not include isolator devices or accessory bases.
- The TR-PHOTO-R-W is sold separately from the DNR. Current draw for the DNR + TR-PHOTO-R-W is calculated by increasing the "Number of Devices" column for each TR-PHOTO-R-W used with a DNR.
- Maximum SBUS address capacity is determined by the amount of SBUS bandwidth consumed by each SBUS module. Refer to Section 4.6.2 for SBUS limitations.

- 5 If there are door holders in the system, there is no need to consider door holder current for alarm/battery standby, because power is removed during that time. However, during normal operation, door holders draw current and must be included in the 1.8 A total current that can be drawn from the panel.
- 6 Use next size battery with capacity greater than required.

Maximum Battery Standby Load

Table 3.3 shows the maximum battery standby load for the TR-75 based on 24 and 60 hours of standby. The standby load calculations of line G in the Current Draw Calculation Worksheet (Table 3.2) must be less than the number shown in Table 3.3 for the battery size used and standby hours required.

Rechargeable Battery Size	Max. Load for 24 hrs. Standby, 5 mins. Alarm	¹ Max. Load for 60 hrs. Standby, 5 mins. Alarm
7 AH	270 mA	105 mA
12 AH	475 mA	190 mA
17 AH	685 mA	270 mA
33 AH	1370 mA	540 mA

Table 3.3 Maximum Battery Standby Load

- 1 Required for NFPA 72 Auxiliary Protected Fire Alarm systems for Fire Alarm Service (City Box) and Remote Station Protected Fire Alarm systems (Polarity Reversal) and Digital Alarm Communicator/Transmitter (DACT).

Section 4: Control Panel Installation



CAUTION: DISCONNECT POWER

TO AVOID THE RISK OF ELECTRICAL SHOCK AND DAMAGE TO THE UNIT, POWER SHOULD BE OFF AT THE CONTROL PANEL WHILE INSTALLING OR SERVICING.

4.1 Mounting the Control Panel Cabinet

Read the Environmental Specifications in Section 3.2 before mounting the TR-75 panel.

The TR-75 cabinet base dimensions are: 12.531" W x 14.875" H.

The TR-75 panel should be located within a secured area, where it is accessible to the main drop wiring runs and where it can be easily tested and serviced. End-users responsible for maintaining the panel should be able to hear alarms and troubles. When you select a location, keep in mind that the panel itself is the main source of alarm and trouble annunciation.

When mounting on interior walls, use appropriate screw anchors in plaster. When mounting on concrete, especially when moisture is expected, attach a piece of 3/4" plywood to the concrete surface and then attach the TR-75 to the plywood. Also mount any other desired components to the plywood.

DO NOT flush-mount the TR-75 cabinet in a wall designated as a fire break.

1. Mark and pre-drill hole in the wall for the top keyhole mounting bolt using the dimensions illustrated below.
2. Install top fasteners in the wall with the screw head protruding.
3. Place backbox over the top screws, level and secure.
4. Mark and drill the left and right lower mounting holes.
5. Install remaining fasteners and tighten.

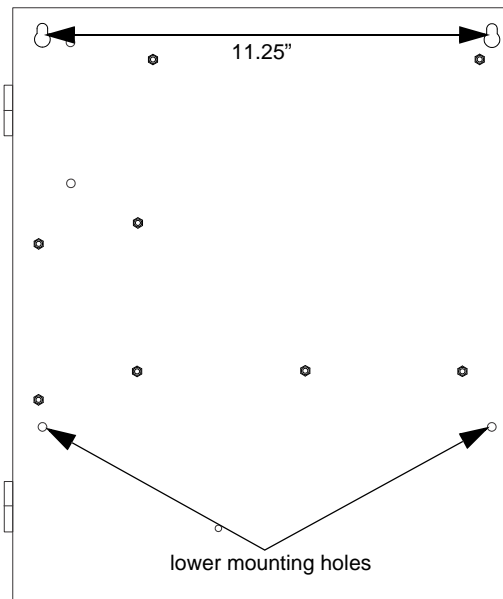


Figure 4.1 TR-75 Cabinet

4.1.1 Preventing Water Damage

Water damage to the fire system can be caused by moisture entering the cabinet through the conduits. Conduits that are installed to enter the top of the cabinet are most likely to cause water problems. Installers should take reasonable precautions to prevent water from entering the cabinet. Water damage is not covered under Warranty.

4.1.2 Removing the TR-75 Assembly from the Housing

If it should ever be necessary to remove the control panel assembly from the cabinet for repair, do so by removing the screws that hold the control panel in to the cabinet. Do not attempt to disassemble the circuit boards.

4.1.3 Dead Front Installation and Removal

This section provides instructions to install and or remove the optional dead front for the control panel cabinet.

Installing the Dead Front

Follow these steps to properly install the dead front panel into the control panel cabinet.

1. Remove the top two screws which secure the annunciator to the board. Leave the bottom two screws installed. See Figure 4.2 for annunciator screw location.
2. Set the dead front into the cabinet.

3. Close the dead front panel. The bottom two screws on the annunciator will protrude through the dead front panel.
4. Reinstall the top two annunciator screws removed in step 1.
5. Insert the two screws with the star washers into the bottom of the cabinet to secure the dead front to the cabinet.

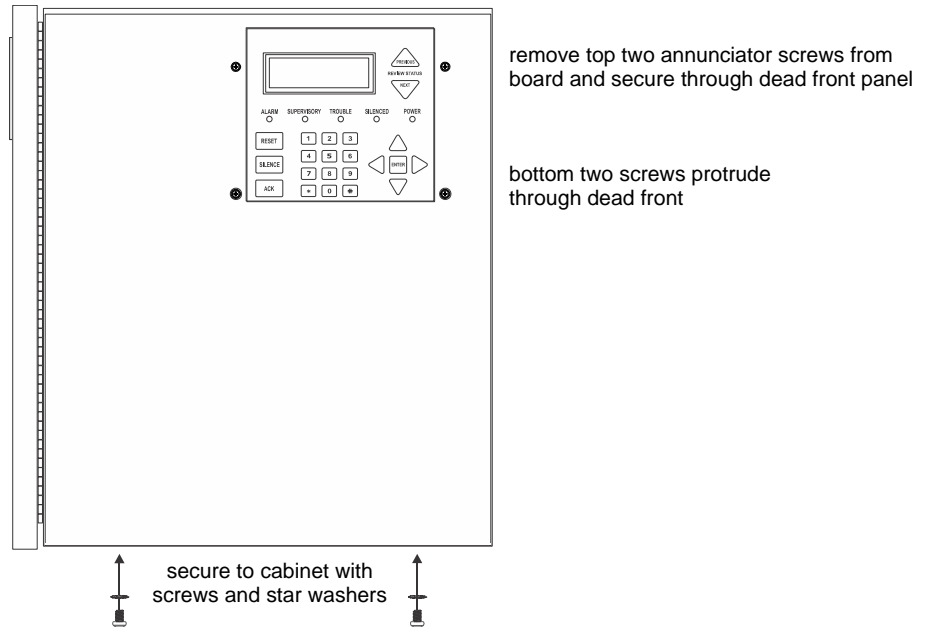


Figure 4.2 Dead Front Installation and Removal

Dead Front Removal

Follow these steps to properly remove the dead front panel from the control panel cabinet.

1. Remove the top two annunciator screws. See Figure 4.2 for location.
2. Remove the two screws and star washers from the bottom of the cabinet.
3. Remove the dead front panel from the control panel cabinet.
4. Reinstall the top two annunciator screws to secure to the board.

4.2 Board Assembly Diagram

The drawing below shows the location of components for FACP wiring.

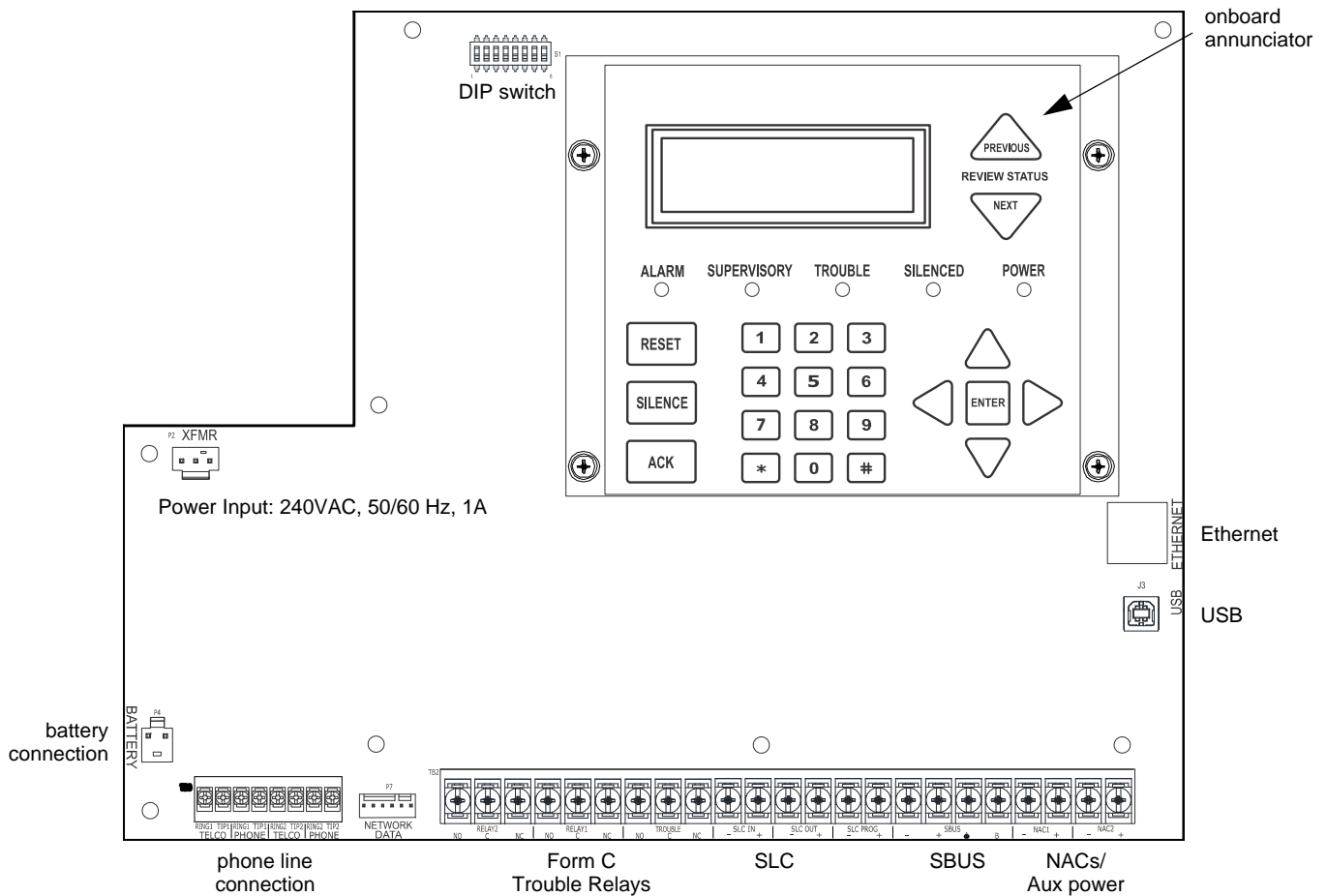


Figure 4.3 Model TR-75 Assembly

Figure 4.3 shows the circuit boards, and annunciator. If you need to remove the control board for repair, remove the eight mounting screws which hold the control board in the cabinet. Then, lift the control board out of the cabinet.

4.3 Wiring Specifications

Induced noise (transfer of electrical energy from one wire to another) can interfere with telephone communication or cause false alarms. To avoid induced noise, follow these guidelines:

- Isolate input wiring from high current output and power wiring. Do not pull one multi-conductor cable for the entire panel. Instead, separate the wiring as follows:

High Voltage	AC power Terminals
SLC loops	Phone line circuits
Audio input/output	NAC1 through NAC2
Notification circuits	Relay circuits
SBUS	

Table 4.4 Wiring Specifications

- Do not pull wires from the different groups through the same conduit. If you must run the wires together, do so for as short a distance as possible or use shielded cable. Connect the shield to earth ground at the panel. You must route high and low voltages separately.
- Route the wiring around the inside perimeter of the cabinet. It should not cross the circuit board, where it could induce noise into the sensitive microelectronics or pick up unwanted RF noise from the high speed circuits. See Figure 4.4 for an example.
- High frequency noise, such as that produced by the inductive reactance of a speaker or bell, can also be reduced by running the wire through ferrite shield beads or by wrapping it around a ferrite toroid.

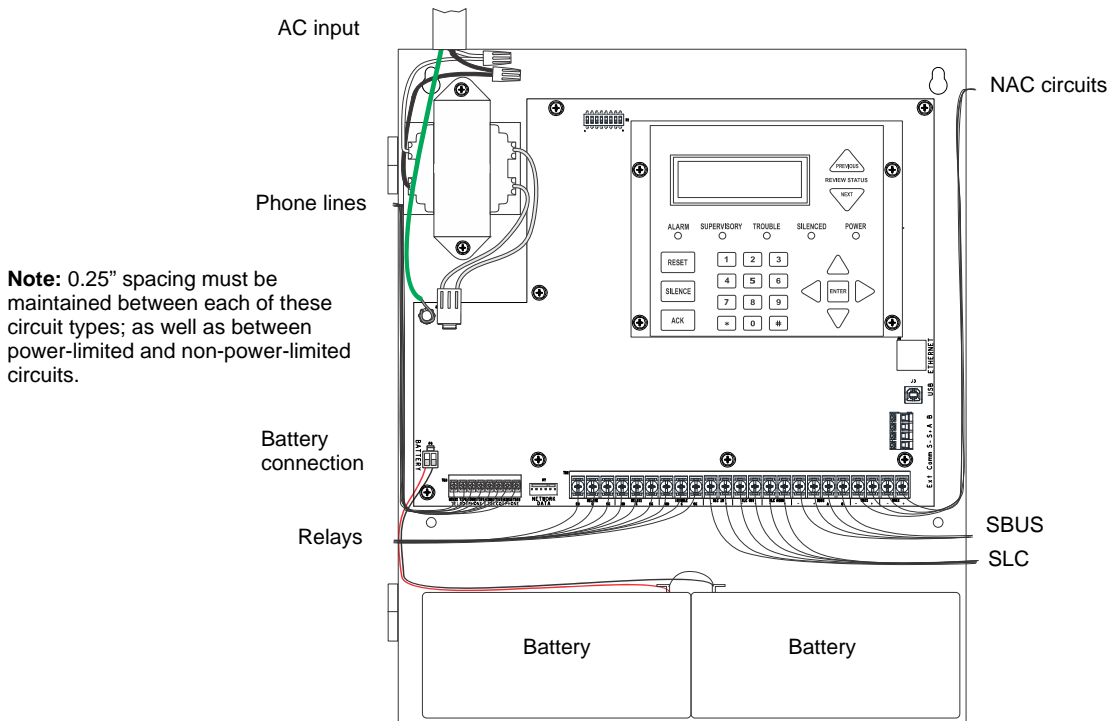


Figure 4.4 Wire Routing Example

4.4 AC Power Connection

At installation, connect the AC terminals to the power source as shown in Figure 4.5. It may be necessary for a professional electrician to make this connection.



WARNING: RISK OF ELECTRICAL SHOCK AND EQUIPMENT DAMAGE

SEVERAL DIFFERENT SOURCES OF POWER CAN BE CONNECTED TO THIS PANEL. DISCONNECT ALL SOURCES OF POWER BEFORE SERVICING. THE PANEL AND ASSOCIATED EQUIPMENT MAY BE DAMAGED BY REMOVING AND/OR INSERTING CARDS, MODULES OR INTERCONNECTING CABLES WHILE THIS UNIT IS ENERGIZED

- AC power for the TR-75 is rated at 240VAC, 50/60Hz, 1A.

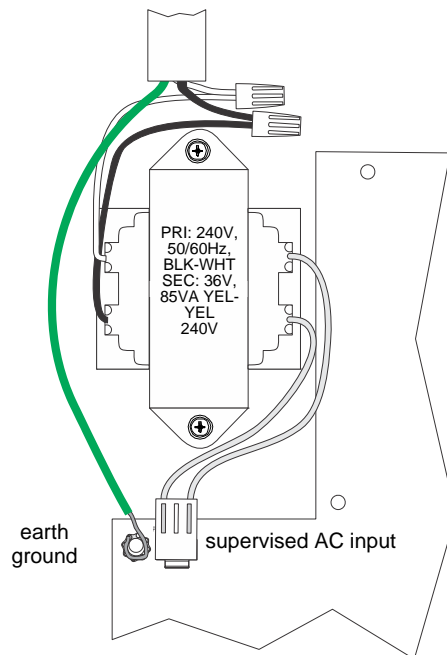


Figure 4.5 AC Power Connection

4.5 Battery Power

The batteries must be sealed lead acid type. Before connecting the batteries to the FACP, make certain that the interconnect cable between the batteries is not connected. Do not connect the battery jumper cable until the system is completely installed. Observe polarity when connecting the batteries.



WARNING: RISK OF PERSONAL INJURY

BATTERY CONTAINS SULFURIC ACID WHICH CAN CAUSE SEVERE BURNS TO THE SKIN AND EYES AND CAN DESTROY FABRICS. IF CONTACT IS MADE WITH SULFURIC ACID, IMMEDIATELY FLUSH THE SKIN OR EYES WITH WATER FOR 15 MINUTES AND SEEK IMMEDIATE MEDICAL ATTENTION.

The control panel battery charge capacity is 7.0 to 35 AH. The main control cabinet can house batteries up to 7 AH, larger capacity batteries can be housed in a Remote Battery Box (P/N RBB). See Section 4.5.1 for details. Use 12V batteries of the same AH rating. Determine the correct AH rating as per your current load calculation (see Section 3.5).

Maximum battery charging current 3.1 Amps.

Wire batteries in series to produce a 24VDC equivalent. Do not parallel batteries to increase the AH rating.

The following steps and diagram explain how to connect the batteries.

1. Connect the black wire from the control panel negative (–) battery terminal to the negative (–) side of Battery #2.
2. Connect the jumper wire provided (P/N 140694) from the positive (+) side of Battery #2 to the (–) negative side of Battery #1.
3. Connect the red wire from the control panel positive (+) terminal to the positive (+) side of Battery #1.

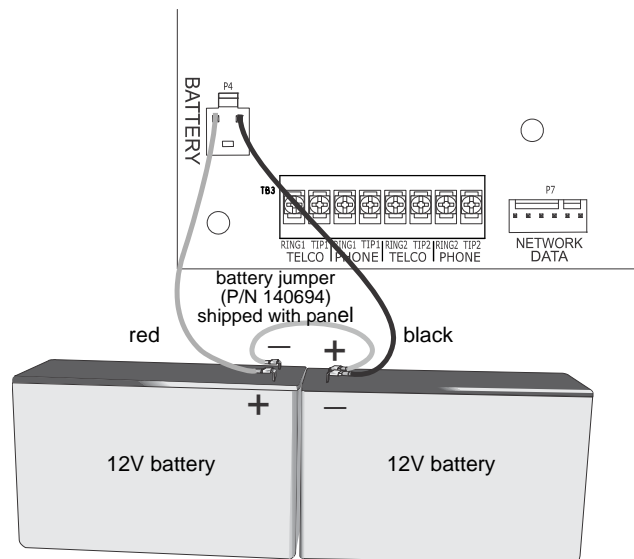


Figure 4.6 Battery Connection

4.5.1 Battery Accessory Cabinet

The RBB Accessory cabinet can be used when your backup batteries requirements use backup batteries that are too large to fit into the main control panel cabinet. The RBB cabinet holds batteries up to the 35 AH size. The RBB dimensions are 16" W x 10" H x 6" D (40.64 cm W x 25.4 cm H x 15.24 cm D).

Installing the RBB Accessory Cabinet and Batteries

To properly install the accessory cabinet and backup batteries, follow these steps:

1. Mount the accessory cabinet. See Figure 4.7 for the four cabinet mounting holes.
 - If mounting onto drywall the accessory cabinet must be mounted onto 3/4-inch plywood. This is necessary because the weight of the batteries inside the accessory cabinet could cause the cabinet to pull away from the drywall.
 - When mounting on concrete, especially when moisture is expected, attach a piece of 3/4-inch plywood to the concrete surface and then attach the RBB cabinet to the plywood.
 - If using the battery cable extenders provided (P/N 140643), mount the RBB cabinet no more than 18" away from the main control panel cabinet. This will ensure that the battery cables reach the battery terminals.

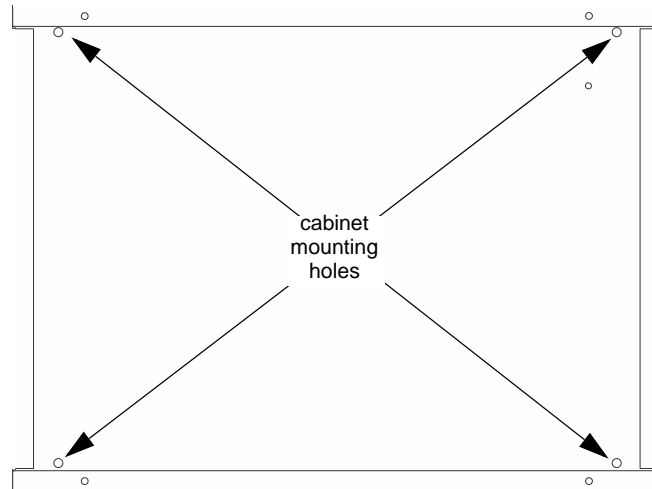


Figure 4.7 RBB Cabinet Mounting Holes

2. Connect the main control panel battery cables to the battery cable extenders as shown below.

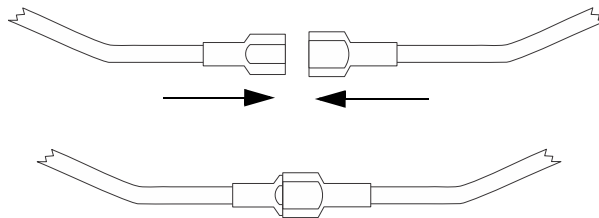


Figure 4.8 Splicing Control Panel Battery Cable to RBB Battery Cable Extenders

3. Run extended battery cable from control panel cabinet through conduit to RBB cabinet as shown below.
4. Connect battery leads to the backup battery terminals. Observe the proper polarity to prevent damage to the batteries or the control panel.
5. Insert the RBB cover screws into the cover mounting holes and screw down most of the way. Do not tighten.

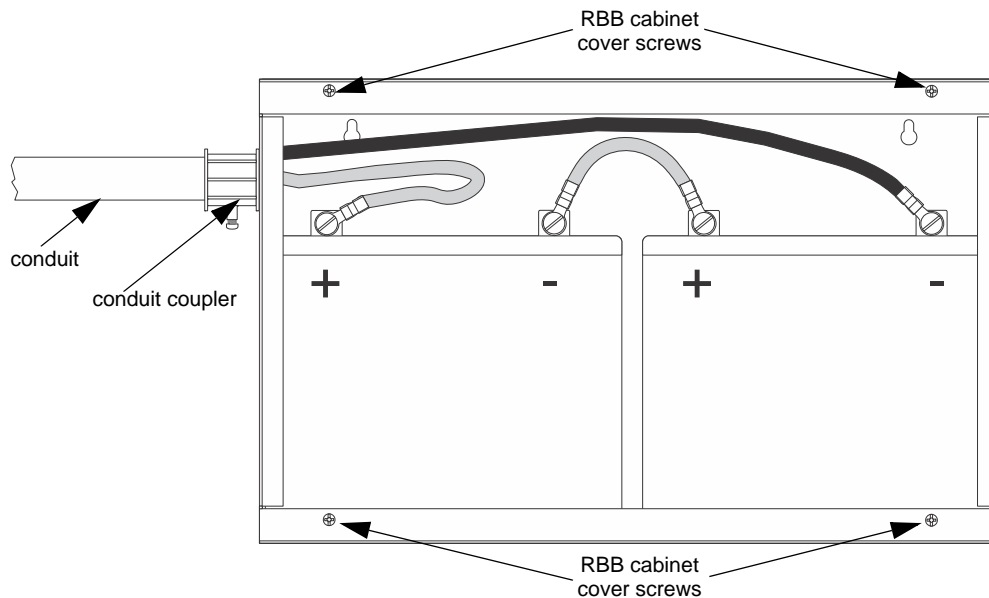


Figure 4.9 Battery Connections in the RBB Cabinet



NOTE: Figure 4.9 is an example of how the wire connections can be routed. However, any other cabinet knockout (on either the main control panel or the RBB cabinet), can be used to connect conduit between the two cabinets.

6. Align the cover plate mounting keyhole over the cover mounting screws.

7. Slide the cover into place and tighten the cover mounting screws.

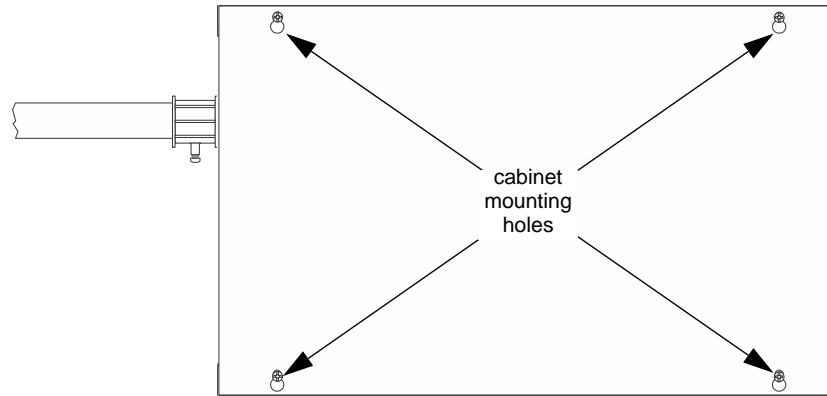


Figure 4.10 Cover Plate Mounting Keyholes and Cover Mounting Screws Alignment

4.6 Wiring Specifications

4.6.1 Length Limitations

This section contains information on calculating SBUS wire distances and the types of wiring configurations (Class A and B).

4.6.2 Calculating Wiring Distance for SBUS Modules

The following instructions will guide you in determining the type of wire and the maximum wiring distance that can be used with SBUS accessory modules.

To calculate the wire gauge that must be used to connect SBUS modules to the panel, it is necessary to calculate the total worst case current draw for all modules on a single 4-conductor bus. The total worst case current draw is calculated by adding the individual worst case currents for each module. The individual worst case values are shown in the table below.



NOTE: Total worst case current draw on a single SBUS cannot exceed 1 amp. If a large number of accessory modules are required and the worst case current draw will exceed the 1 amp limit, then the current draw must be distributed using TR-PS1 Power Expanders. Each TR-PS1 Power Expander provides an additional SBUS, with an additional 1 amp of SBUS current. Wiring distance calculations are done separately for each TR-PS1, and separately for the panel itself.

Model Number	Worst Case Current Draw
TR-RD2G/R and TR-RD1G/R Fire Annunciators	0.120 amps
TR-5824 Serial/Parallel Printer Interface Module	0.045 amps
TR-5880 LED I/O Module	0.250 amps
TR-5865 LED Annunciator	0.200 amps
TR-PS1 Intelligent Power Supply	0.010 amps
TR-NIC Network Interface Card	0.021 amps
TR-F485C Fiber Converter	0.125 amps

Table 4.5 SBUS Device Current Draw

After calculating the total worst case current draw, Table 4.6 specifies the maximum distance the modules can be located from the panel on a single wire run. The table ensures 6.0 volts of line drop maximum. In general, the wire length is limited by resistance, but for heavier wire gauges, capacitance is the limiting factor.

These cases are marked in the chart with an asterisk (*). Maximum length can never be more than 6,000 feet, regardless of gauge used. (The formula used to generate this chart is shown in the chart below).

Wiring Distance: SBUS Modules to Panel				
Total Worst Case Current Draw (amps)	22 Gauge	18 Gauge	16 Gauge	14 Gauge
0.100	1852 ft.	4688 ft.	* 6000 ft.	* 6000 ft.
0.200	926 ft.	2344 ft.	3731 ft.	5906 ft.
0.300	617 ft.	1563 ft.	2488 ft.	3937 ft.
0.400	463 ft.	1172 ft.	1866 ft.	2953 ft.
0.500	370 ft.	938 ft.	1493 ft.	2362 ft.
0.600	309 ft.	781 ft.	1244 ft.	1969 ft.
0.700	265 ft.	670 ft.	1066 ft.	1687 ft.

Table 4.6 Wire Distances Per Wire Gauge

Wiring Distance: SBUS Modules to Panel				
Total Worst Case Current Draw (amps)	22 Gauge	18 Gauge	16 Gauge	14 Gauge
0.800	231 ft.	586 ft.	933 ft.	1476 ft.
0.900	206 ft.	521 ft.	829 ft.	1312 ft.
1.000 (Max)	185 ft.	469 ft.	746 ft.	1181 ft.

Table 4.6 Wire Distances Per Wire Gauge

The following formulas were used to generate the wire distance chart.

$$\text{Maximum Resistance (Ohms)} = \frac{6.0 \text{ Volts}}{\text{Total Worst Case Current Draw (amps)}}$$

$$\text{Maximum Wire Length (Feet)} = \frac{\text{Maximum Resistance (Ohms)}}{\text{Rpu}} * 500$$

(6000 feet maximum)

where: Rpu = Ohms per 1000 feet for various Wire Gauges (see table below)

Wire Gauge	Ohms per 1000 feet (Rpu)
22	16.2
18	6.4
16	4.02
14	2.54

Table 4.7 Typical Wire Resistance Per 1,000 ft.

Wiring Distance Calculation Example

Suppose a system is configured with the following SBUS modules:

2 - TR-RD1G/R Fire Annunciators

1 - TR-5865 LED Fire Annunciator

1 - TR-5824 Parallel/Serial Interface

The total worst case current is calculated as follows:

TR-RD1G/R Current Draw	= 2 x 0.100 amps	= 0.200 amps
TR-5865 Current Draw	= 1 x 0.200 amps	= 0.200 amps
TR-5824 Current Draw	= 1 x 0.045 amps	= 0.045 amps
Total Worst Case Current Draw		= 0.445 amps

Using this value, and referring to the Wiring Distance table, it can be found that the available options are:

- 370 feet maximum using 22 Gauge wire
- 938 feet maximum using 18 Gauge wire
- 1493 feet maximum using 16 Gauge wire
- 2362 feet maximum using 14 Gauge wire

4.6.3 Wiring Configurations

Figure 4.11 illustrates the Class B configuration.

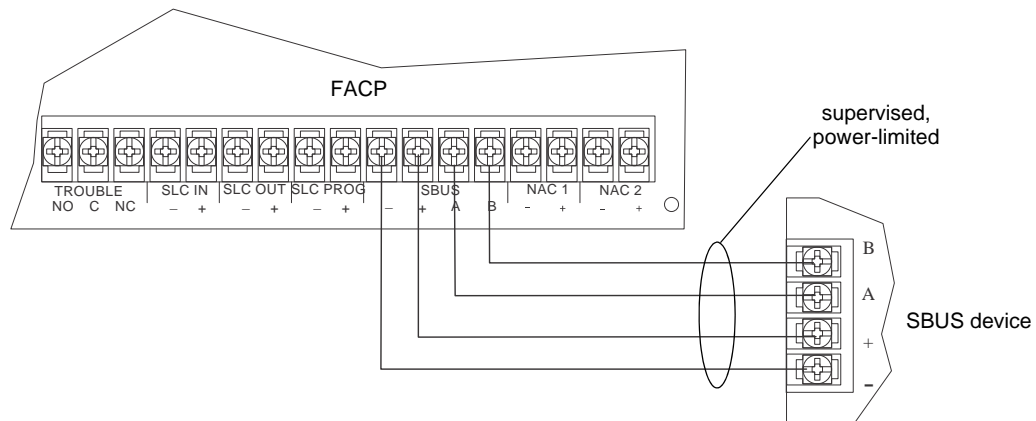


Figure 4.11 SBUS Class B Wiring

4.7 TR-RD1G/R Remote Annunciator Installation

The TR-RD1G/R is an optional remote annunciator. Up to 8 annunciators can be added to the TR-75 system.

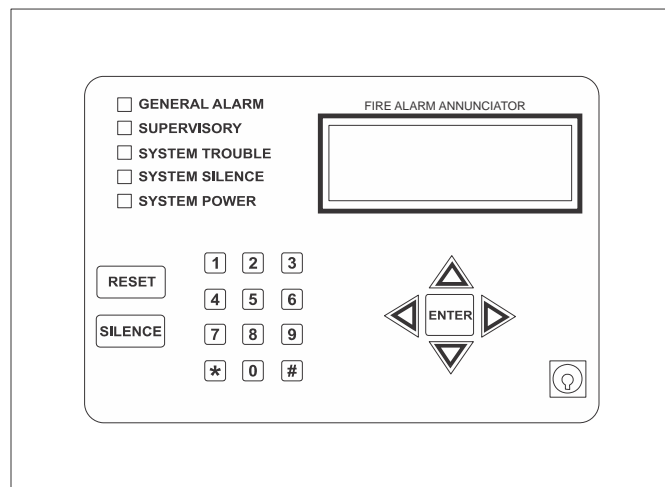


Figure 4.12 TR-RD1G/R Remote Annunciator

TR-RD1G/R installation involves the following steps:

1. Ensure the power is off at the panel.
2. Mount the TR-RD1G/R in the desired location (see Section 4.7.1).
3. Connect the TR-RD1G/R to the panel (see Figure 4.11).
4. Use the DIP switches on the back of the TR-RD1G-R to assign an ID# to the annunciator (see Section 4.12.1).
5. The new TR-RD1G-R module must be added to the system through programming. JumpStart will add the module automatically (see Section 8.1). You can also add it manually (see Section 8.2.2). Select a name, if desired.

4.7.1 Mounting the TR-RD1G-R

This section of the manual describes mounting the remote annunciator. The annunciator can be flush- or surface-mounted. Figure 4.13 shows the parts of the annunciator. Instructions for disassembling and mounting appear on the following pages.

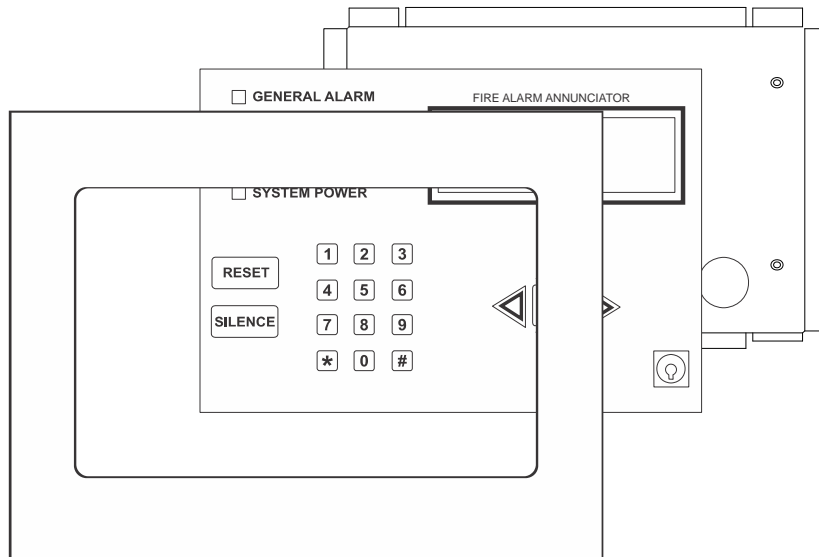


Figure 4.13 Annunciator Parts

The TR-RD1G/R comes from the factory fully assembled. You must disassemble it for mounting. To disassemble the annunciator, use a 5/64 hex wrench to remove the set screws, located on the bottom of the annunciator bezel. (See Figure 4.14 for location of the set screws.)

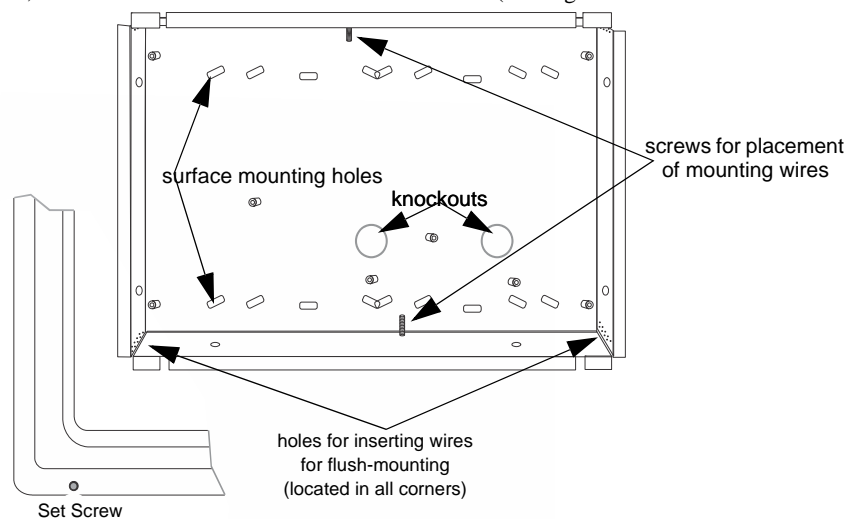


Figure 4.14 Annunciator Backbox and Bezel Details

Flush Mounting

This section of the manual describes flush mounting. You can flush-mount with or without an electrical box.

■ Flush Mounting with an Electrical Box

The TR-RD1G/R annunciator can be used with the following types of electrical boxes: 4S, single-gang, and double-gang.

If an electrical box is used, the box must be 1-3/8" back from the face of the wall to accommodate the annunciator. Studs used with an electrical box must be 2x4" (or larger).

■ Flush Mounting Steps

1. Cut a hole in the sheet rock to the following dimensions: 8-1/4" W x 6-5/8"H. If an electrical box is used, the box must be 1-3/8" back from face of wall to accommodate the annunciator.
2. Remove knockout holes as needed for wires.
3. Fit the annunciator backbox into the hole and stabilize with mounting wires. Angle the mounting wires into the first hole past the sheet rock. Secure the wires behind the screws as shown in Figure 4.15. When all four wires are in place, the backbox should fit snugly into the hole in the sheetrock.
4. After the annunciator wiring to the panel has been completed (refer to Figure 4.11), replace the electronic assembly in the back box. Place the bezel over the back box and tighten the set screws on the bezel.

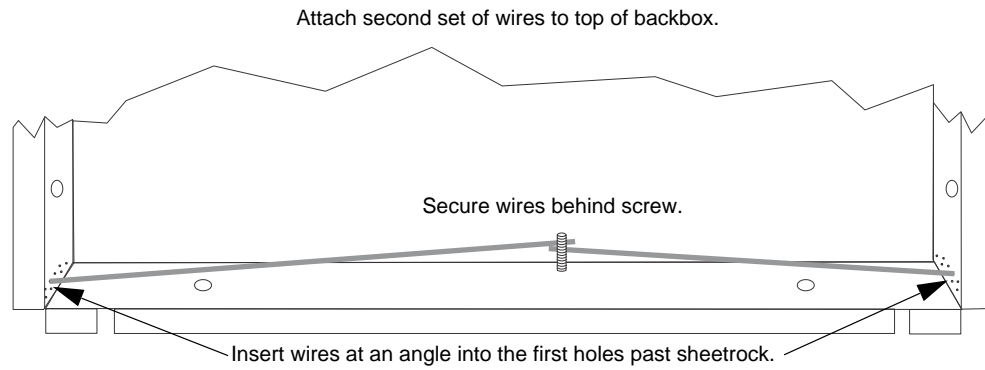


Figure 4.15 Flush Mounting the Backbox

Surface Mounting

The TR-RD1G/R can be mounted directly to a surface or can be attached to a single, double, or four-square electrical box. Trim Ring Kit 5860TR/G is available for use when surface mounting.

1. Drill holes in the surface to match the screw holes on the backbox. Refer to Figure 4.14 for locations.
2. Fit the trim ring over the backbox.
3. Attach the backbox to the wall using screws provided.
4. Wire the annunciator to the FACP as shown below.

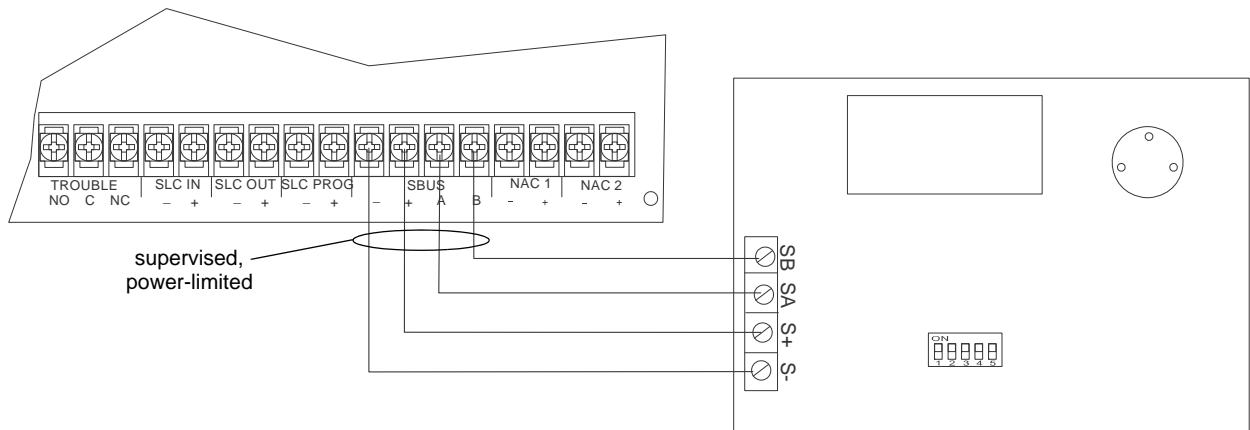


Figure 4.16 TR-RD1G/R Connection to the Panel

5. Replace the electronic assembly in the backbox. Place the bezel over the backbox and tighten the set screws on the bezel. Refer to Figure 4.14 for location of set screws.

4.8 TR-RD2G/R Remote Annunciator Installation

The optional TR-RD2G/R Remote Annunciator can be surface or flush mounted.

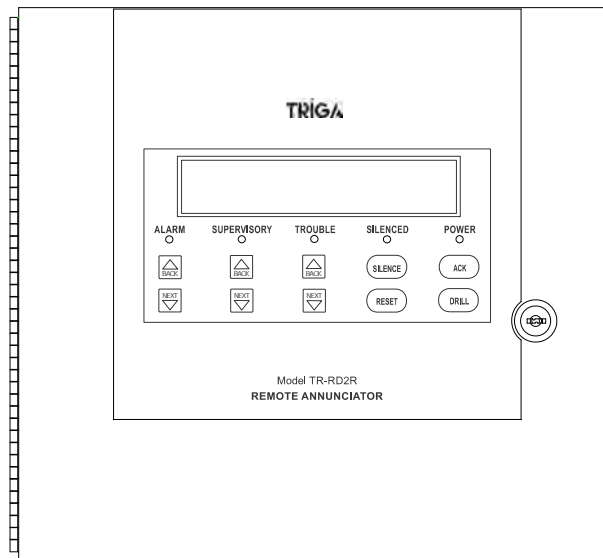


Figure 4.17 TR-RD2G/R Remote Annunciator

TR-RD2G/R installation involves the following steps:

1. Ensure power is off at the panel.
2. Mount the TR-RD2G/R in the desired location (see Section 4.8.1).
3. Connect the TR-RD2G/R to the panel (see Section 4.8.2).
4. Use the DIP switches on the back of the TR-RD2G/R to assign an SBUS ID# (see Section 4.12.1).
5. The TR-RD2G/R module must be added to the system through programming. JumpStart Auto-Programming will add the module automatically (see Section 8.2).

4.8.1 Mounting the TR-RD2G/R

This section of the manual describes mounting the remote annunciator. The annunciator can be flush or surface mounted.

Flush Mounting

This section of the manual describes flush mounting. Follow these steps to flush mount the TR-RD2G/R.

1. The back box dimensions are 9-1/4" W x 8-3/8" H. The minimum depth required is 2". The backbox can be mounted prior to the complete installation of the RA-2000FIK-RA2000TR-RD2G/R6860 using any of the mounting holes shown below.

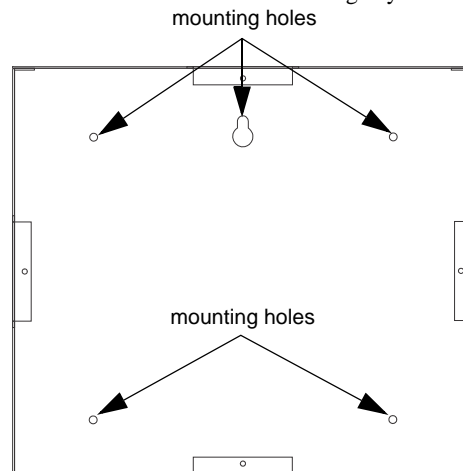


Figure 4.18 TR-RD2G/R Backbox Mounting

2. Remove knockouts as needed for wires. There are 10 knockouts available, two on each side and two in the back of the cabinet.
3. Wire the annunciator board to the main control panel as shown in Figure 4.21.

- Attach the annunciator and door assembly to back box as shown below using the supplied screws.

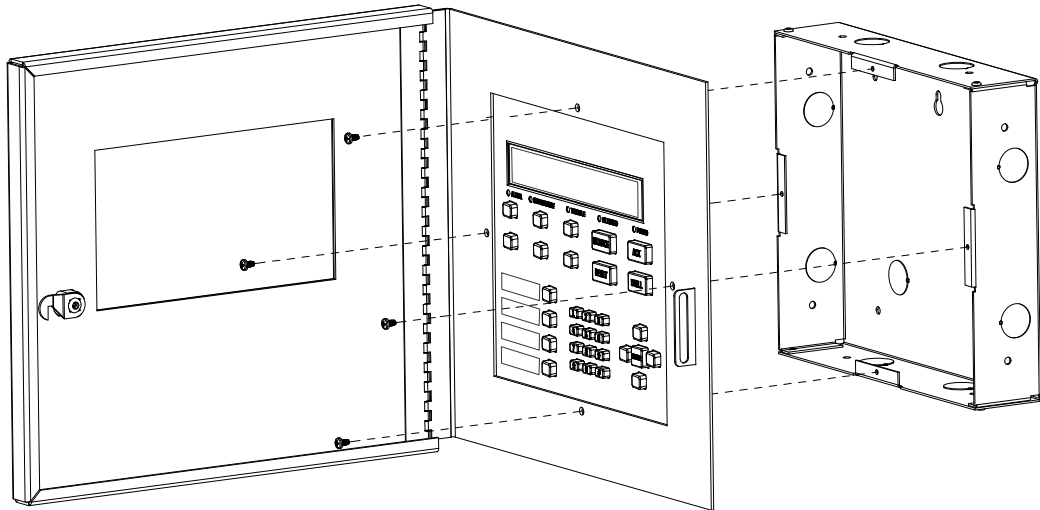


Figure 4.19 Attaching Annunciator / Door Assembly to Backbox

Surface Mounting

The RA-100TR Red Trim Ring kit and RA-100TG Gray Trim Ring kit are available for use when surface mounting the TR-RD2G/R.

- Remove the desired knockout.
- Mark and pre-drill hole in the wall for the center top keyhole mounting bolt. Refer to Figure 4.18 for mounting hole locations.
- Install center top fastener in the wall with the screw head protruding.
- Place backbox over the top screw, level and secure.
- Mark and drill the left and right upper and lower mounting holes.
- Install remaining fasteners and tighten.
- Run wires to the control panel. Refer to Figure 4.21.
- Place the trim ring over the back box as shown below.

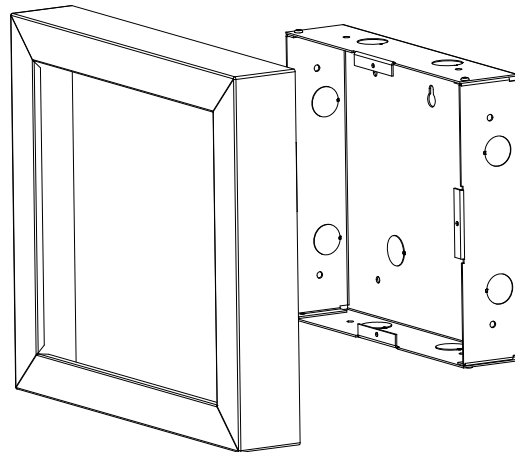


Figure 4.20 Installing Trim Ring

- Attach the door assembly to the backbox using the screws provided. Refer to Figure 4.19.

4.8.2 TR-RD2G/R Connection to the Panel

Connect the TR-RD2G/R to the panel as shown below.

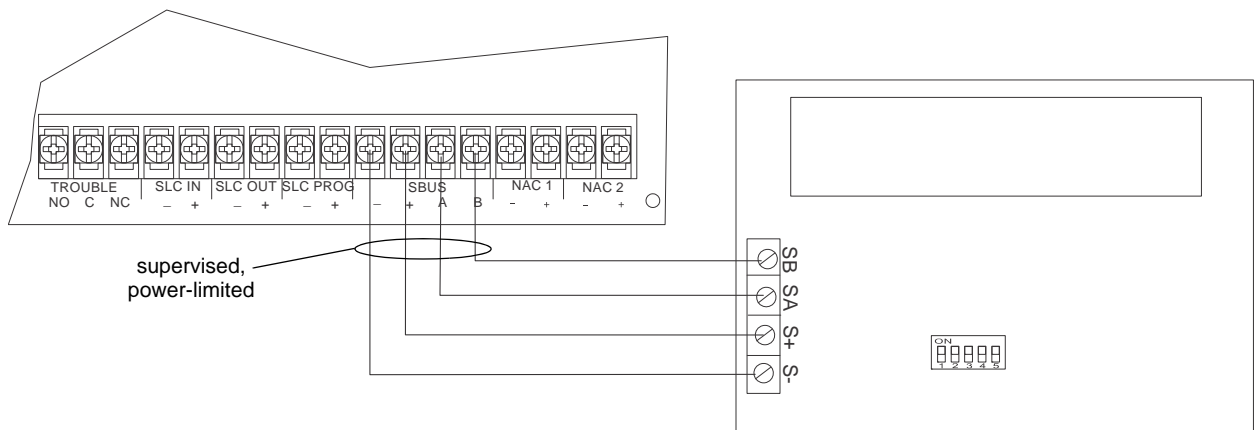


Figure 4.21 TR-RD2G/R Connection to the Panel

4.9 TR-5824 Serial/Parallel Printer Interface Module Installation

The TR-5824 Serial/Parallel Printer Interface Module allows you to connect a printer to the panel. Printing is available for real time events, detector status and event history.

TR-5824 installation involves the following steps.

1. Ensure the power is off at the panel.
2. Connect the TR-5824 to the panel as shown in Figure 4.22.



NOTE: There is a maximum of four TR-5824 modules per panel.

3. Use the DIP switches on the back of the board to assign an ID# to the TR-5824 (see Section 4.12.1).
4. Configure the TR-5824 device through programming. See Section 4.9.1.
5. Connect a printer to the TR-5824 as shown in Figure 4.22.

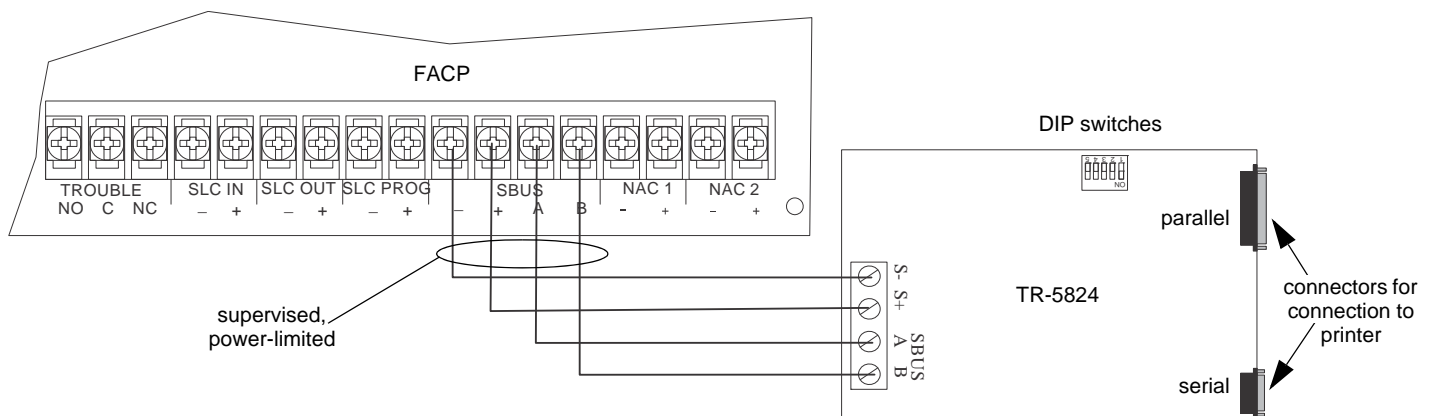


Figure 4.22 TR-5824 Connection to the Panel

4.9.1 Selecting TR-5824 Options

Configuring the TR-5824 includes the following steps:

- Add the module to the system. JumpStart will add the module automatically (see Section 8.2). You can also add it manually (see Section 8.2.2).
- Select a name, if desired.
- Select options for the printer and the output port. See below.

Printer and Output Port Options

1. From the Main Menu, select 7 for Program Menu.
2. Select 1 for Module.
3. Select 1 for Edit Module.
4. From the list that displays, select the desired TR-5824 module.

- Press ENTER to bypass the next two screens. A screen similar to the one shown below will display.



Select Yes if printer should be supervised for Out-of-Paper and Offline conditions.
Select type of printer, *Parallel* or *Serial*.

Figure 4.23 Selecting Printer and Output Port Options

- Select options for the printer as needed for your installation. Most printers are parallel.
- If you are using a serial printer, use the next screen to select serial port options as required for your printer. Refer to your printer manual if you need more information.

Option	Choices
Baud Rate:	75 - 19200
Data Bits:	5 - 8
Stop Bits:	.5, 1, 2
Parity:	None, Even, Odd

Table 4.8 Serial Printer Options

4.10 TR-5880 LED Driver Module

The TR-5880 is an LED driver board that can be used in a wide variety of applications, including as an interface with most customized floor plan annunciator boards. The TR-5880 can drive up to 40 LEDs and has one PZT controller. The TR-5880 also has eight inputs for dry contact monitoring. Up to 8 TR-5880 modules can be added to the TR-75 System. The following sub-sections describe hardware installation. Refer to Section 8 for programming information.

4.10.1 TR-5880 Board Layout

Figure 4.24 is a picture of the TR-5880 board showing locations of screw terminals for connection to the panel and contact monitor wiring, pin connectors for connecting LEDs, and a DIP switch for selecting an SBUS ID number.

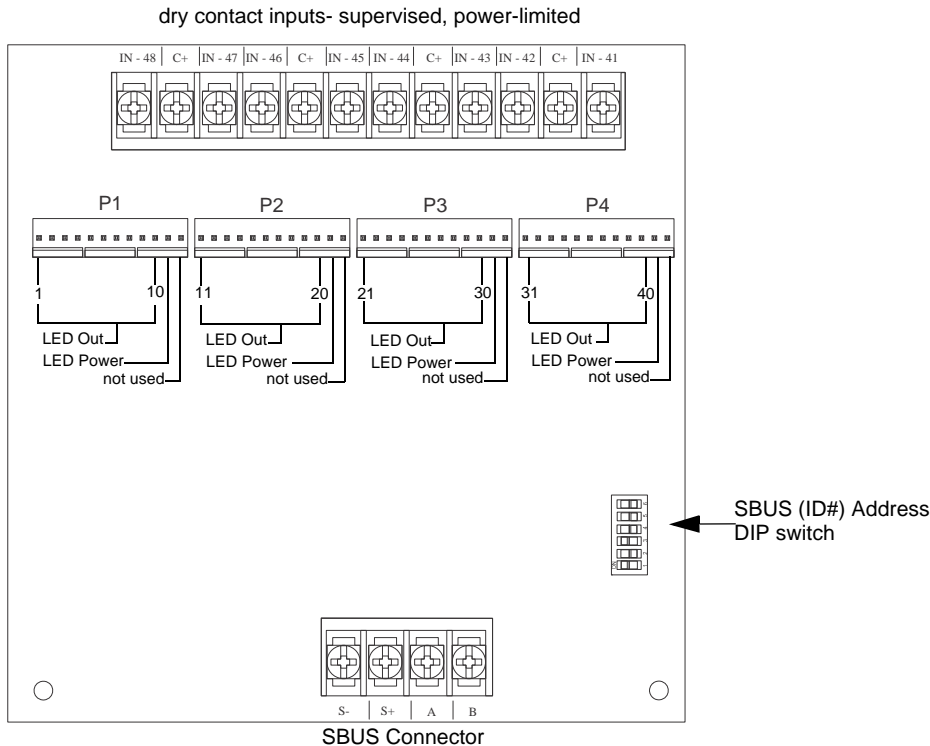


Figure 4.24 TR-5880 Board Layout

4.10.2 FACP Connection

The TR-5880 connects to the panel via the SBUS. Make connections as shown below. After the TR-5880 is connected to the panel, it must be added to the system. Programming is described in Section 8.

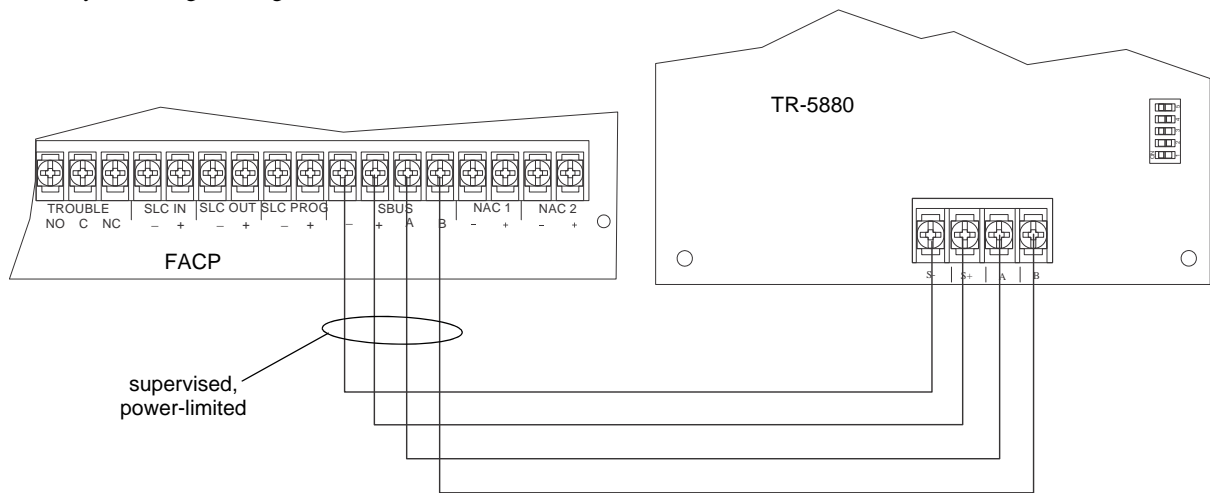


Figure 4.25 TR-5880 Connection to Main Control Panel Assembly

4.10.3 LED Wiring

There are four 12-pin connectors on the TR-5880 board for connecting LEDs. Each LED gets its power from Pin 11. Internal resistors are sized so that there is approximately 10 mA of current for each LED; no series resistors are required. LED outputs can be mapped to output circuits. See Section 8 for Programming details.

Wire the LEDs as shown in Figure 4.26.

On connector P1, Pin 12 is a programmable Open Collector Output for controlling a piezo. If used, the TR-5880 piezo will match the piezo pattern of the onboard or remote annunciator.



NOTE: The circuit connected to "Open Collector Output" (last pin on P1) must be current-limited so that no more than 100 mA of current is allowed to flow into the Open Collector Transistor.

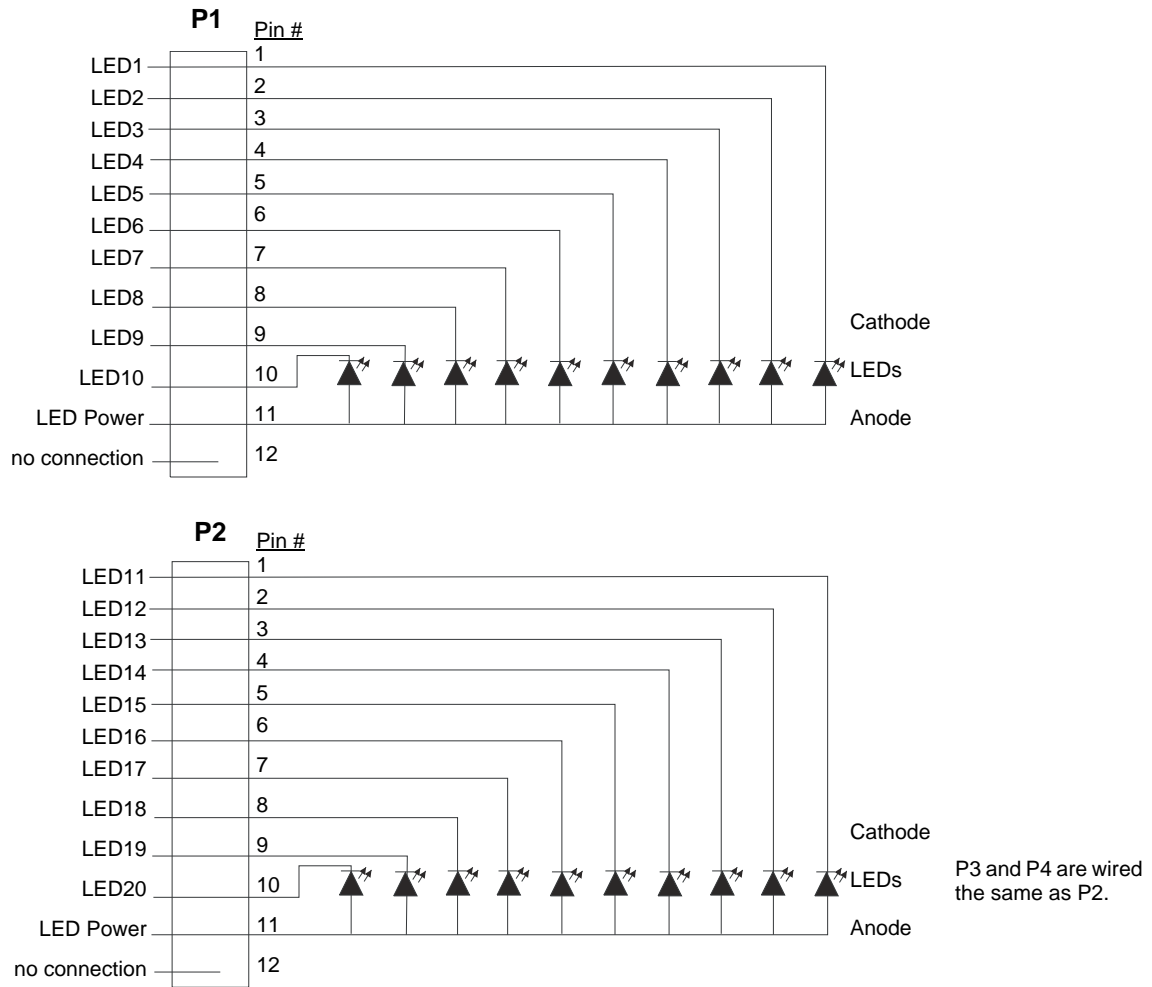


Figure 4.26 TR-5880 Board Layout

4.10.4 Dry Contact Wiring

The eight input circuits on the TR-5880 board are for monitoring switch inputs. Any type of switch supported by the control panel can be used with the TR-5880. For example, you can use a TR-5880 to monitor pull stations, water flow, tamper, reset, or silence switches.

Wire dry contacts as shown below. Notice grouping of terminals. Power terminals are shared by two inputs.

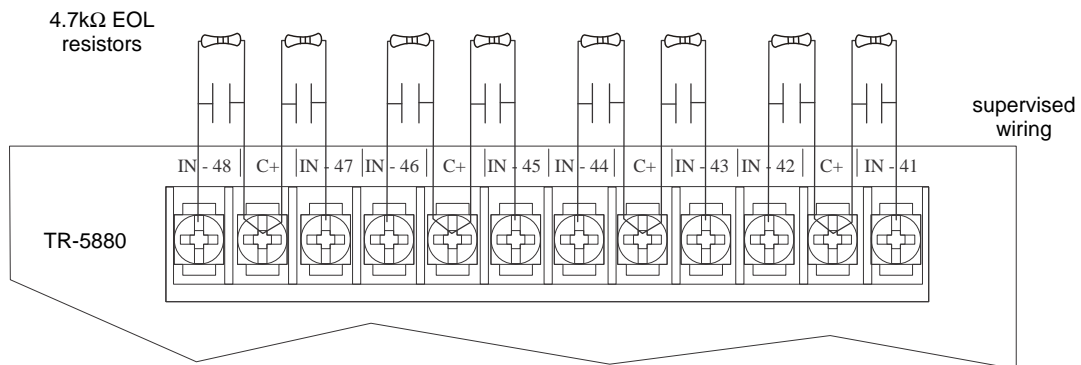


Figure 4.27 Dry Contact Wiring

4.11 TR-5865-3/TR-5865-4 LED Annunciator Installation

The TR-5865-3 and TR-5865-4 are LED annunciators. The TR-5865-4 has 30 mappable LEDs, remote silence and reset key switches, and a general system trouble LED. The TR-5865-3 has 30 mappable LEDs only. These are arranged as 15 pairs of red (typically used for alarm) and yellow (typically used for trouble) LEDs.

Installation of the TR-5865-3 and TR-5865-4 is identical. The key switches and the trouble LED follow the behavior of other system annunciators and do not require any programming. The following subsections describe how to install the TR-5865-3 and TR-5865-4 hardware. Refer to Section 8 for programming information.



NOTE: The term "TR-5865" refers to both the TR-5865-3 and TR-5865-4 unless otherwise specified.

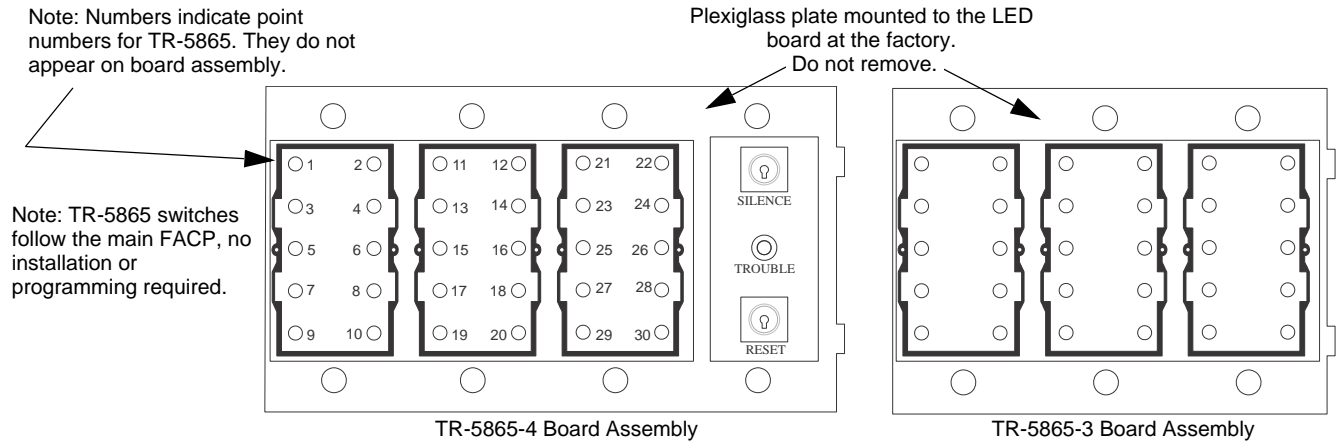


Figure 4.28 TR-5865-3 and TR-5865-4 Assembly (Front View)

4.11.1 FACP Connection

The TR-5865 connects to the panel via the SBUS. Make connections as shown in Figure 4.29. After the TR-5865 is connected to the panel, it must be added to the system. This programming step is described in Section 8.

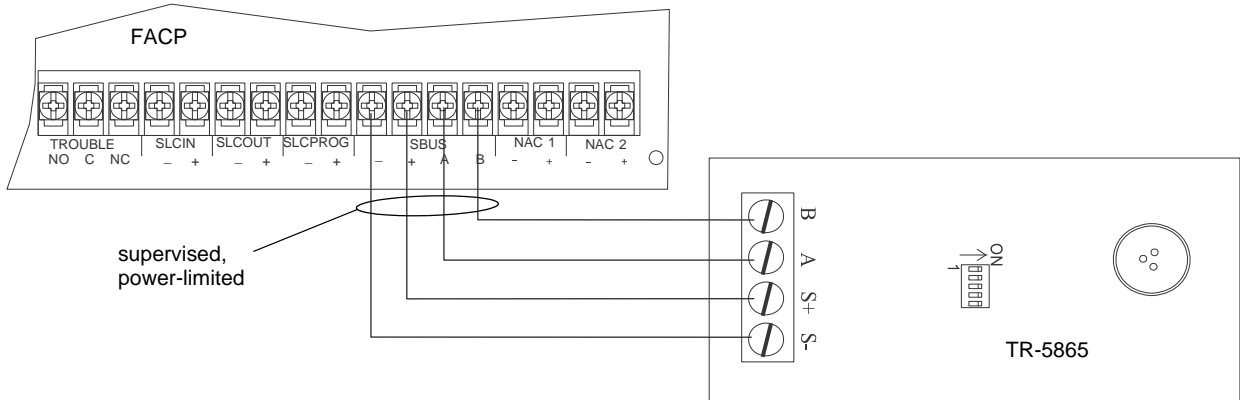


Figure 4.29 TR-5865 Connection to the FACP

4.11.2 TR-5865 Mounting

Mount the TR-5865-4 to a standard 4-gang electrical box. Mount the TR-5865-3 to a standard 3-gang electrical box. In Figure 4.30, the TR-5865-4 is attached to a 4-gang box as an example.

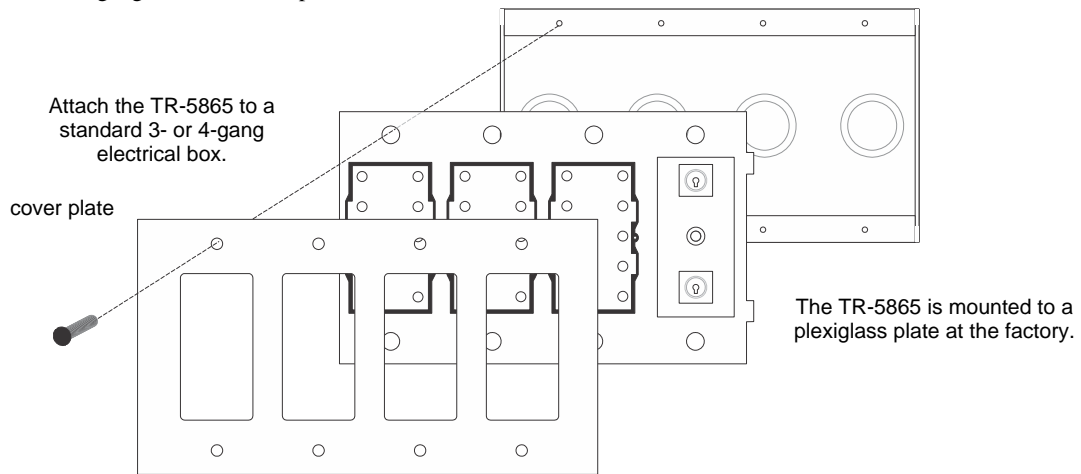


Figure 4.30 TR-5865 Mounting Example

The TR-5865 ships with a set of zone description labels that can be inserted into the TR-5865 board assembly. These labels can be used in a typewriter or can be written on by hand. Slide the labels under the plexiglass as shown in Figure 4.31. The LEDs will show through the label when illuminated.

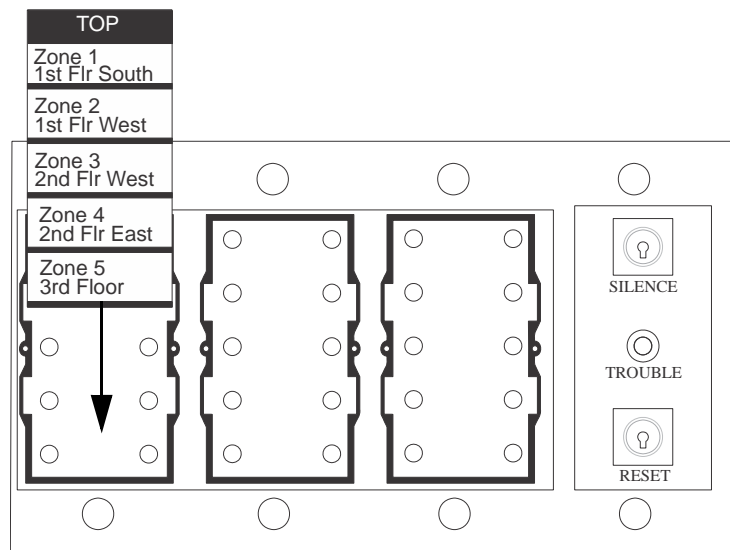


Figure 4.31 Inserting Zone Description Labels

4.12 Configuring Modules

This section describes how to configure any system hardware modules that have been added to the system.

4.12.1 Assigning Module IDs

When installing a hardware module (see Table 4.5 for list of compatible SBUS devices), you must use the DIP switches on the module to assign an ID# to the module. Figure 4.32 shows all possible DIP switch positions and their correlation to a numerical ID. Address 0 is an invalid address and cannot be used. For example, to select ID 2, place DIP switch 2 in the up position.

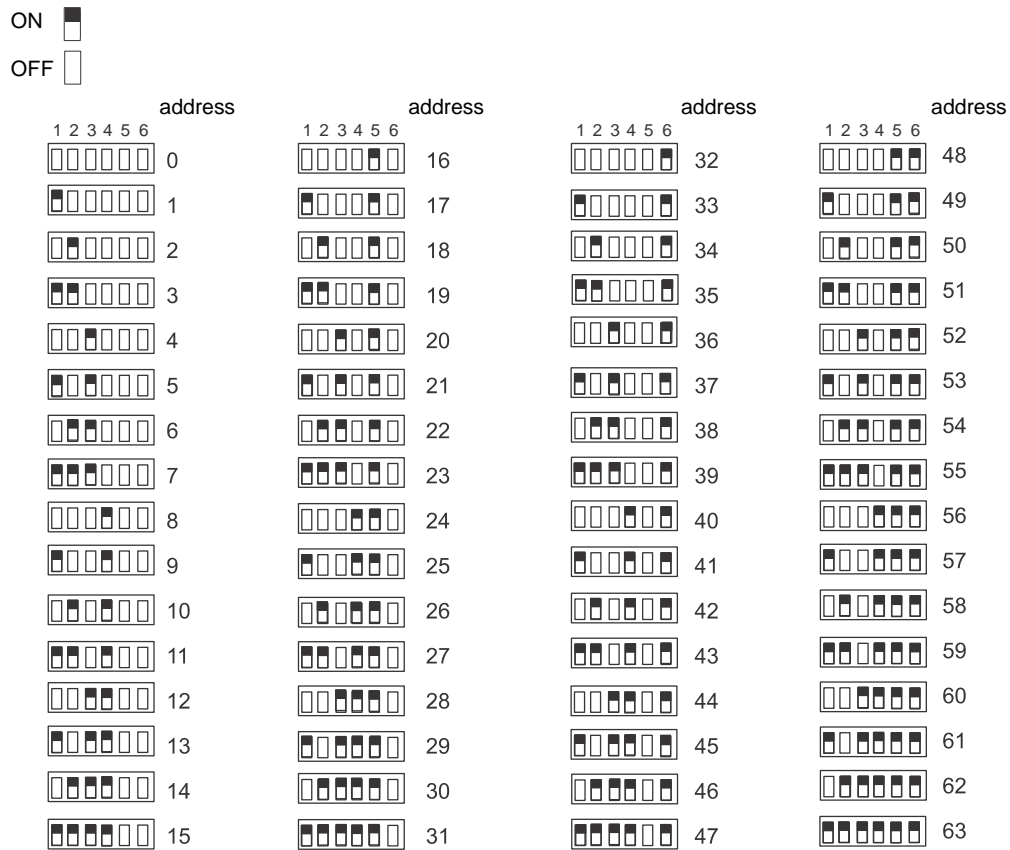


Figure 4.32 Possible SBUS Module Addresses

Refer to Section 8.2 to edit, add, delete, and view module list.

4.13 Telephone Connection

Connect the telephone lines as shown in Figure 4.33. Model 7860 phone cord is available from Triga for this purpose.

A number of programmable options are available for customizing the telephone lines. These options are described in Section 8.6.

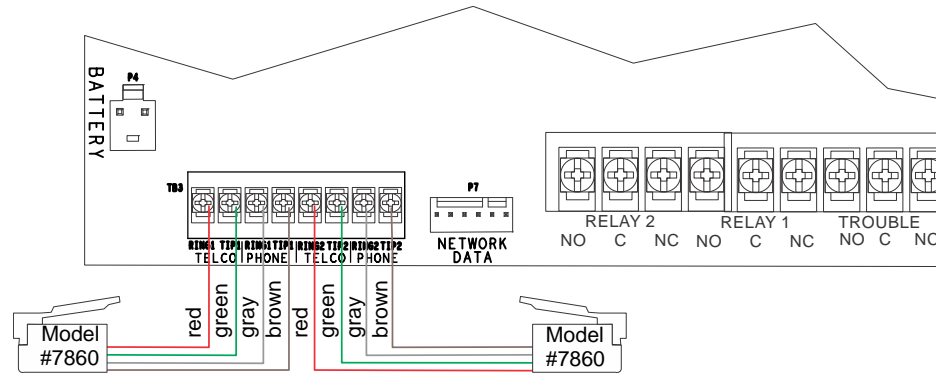


Figure 4.33 Connection of Telephone Lines

4.14 Notification Appliance/Auxiliary Power Circuits

Two outputs are built-in to the TR-75 FACP which can be programmed to be used as NACs (Class A or Class B) or as aux power. This section of the manual explains how to install conventional notification appliances and how these terminals can be used for auxiliary power.



NOTE: Where power to a device or appliance is supplied over a separate pathway from the notification appliance and/or SLC, the operation of the power pathway shall meet the performance requirements of the, notification appliance, and/or signaling-line circuit(s) and the power circuit shall be defined by the applicable class in the product installation wiring diagram/instructions consistent with the operation of the particular power pathway.

4.14.1 Conventional Notification Appliance

This subsection of the manual explains how to install conventional notification appliances for Class A and Class B configurations.

Class B Notification Wiring

You must use an appliance from the list of compatible devices listed in the *Device Compatibility Document*, P/N: LS10167-006TR-E.

To install a Class B notification appliance circuit:

1. Wire Class B Notification appliances as shown below.
2. Configure the circuit through programming (see Section 8.5).

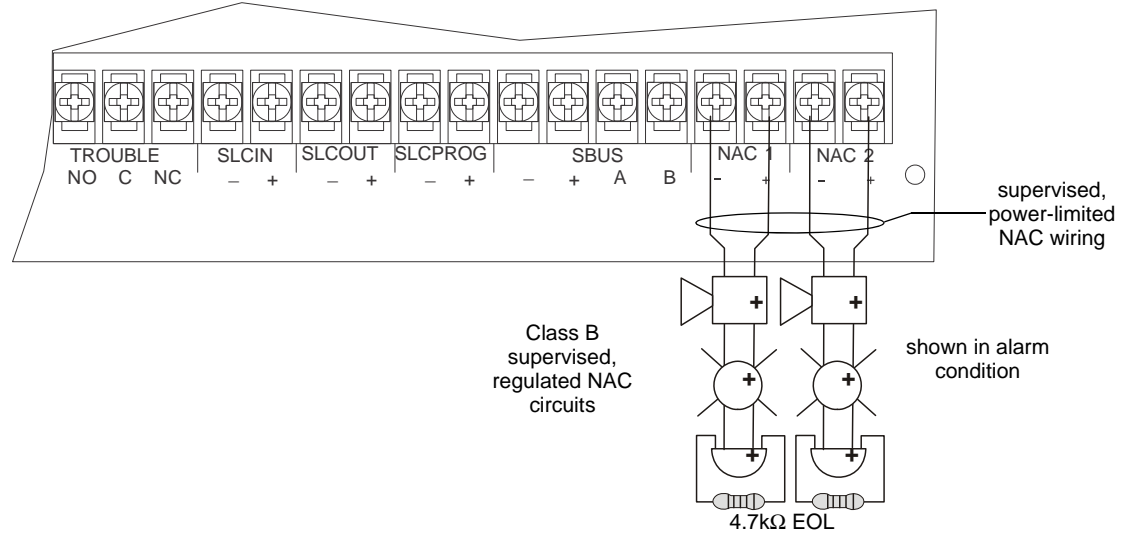


Figure 4.34 Class B Notification Appliance Circuit Wiring

4.15 Class A Notification Wiring

You must use an appliance from the list of compatible appliances listed in the *Device Compatibility Document*, P/N: LS10167-006TR-E.

To install a Class A notification appliance circuit:

1. Wire the Class A notification appliances as shown in Figure 4.35.



CAUTION: SYSTEM SUPERVISION

FOR PROPER SYSTEM SUPERVISION DO NOT USE LOOPED WIRE UNDER TERMINALS MARKED – AND + OF THE NAC CIRCUIT. BREAK WIRE RUNS TO PROVIDE SUPERVISION OF CONNECTIONS.

2. Configure the circuit for Class A in programming (see Section 8.5).

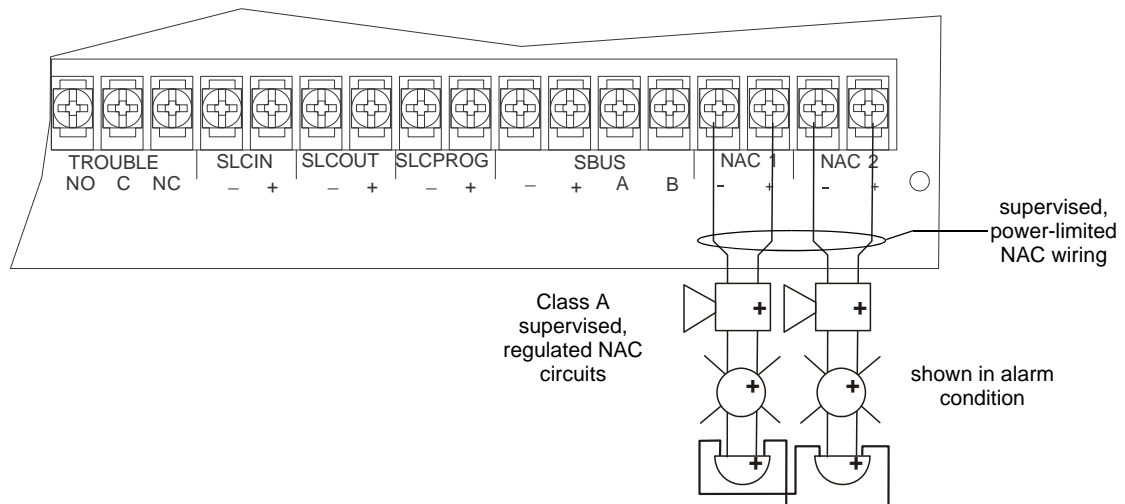


Figure 4.35 Class A Notification Appliance Circuit Configuration

4.15.1 Auxiliary Power Installation

NAC Circuits 1 and 2 on the control panel can be used as auxiliary power circuits. The four types of auxiliary power available are:

- Door Holder
- Constant
- Resettable Power
- Sounder Sync Power

Auxiliary power circuits are power-limited. Each circuit can source up to 2.5A in an alarm condition (total current for system must not exceed 2.5A in alarm or 1.0A for all other conditions).

To install an auxiliary power circuit:

1. Wire the NAC circuit(s) that will be used for auxiliary power.
2. Configure the auxiliary power output through programming (see Section 8).

Door Holder Power

Door holder power is intended for fire door applications. When there are no alarms in the system and the panel has AC power, door holder circuits have 27.4 volt power present at their terminals. Any alarm will cause power to disconnect. Power will be re-applied when the system is reset. If AC power is off for more than 15 seconds, the auxiliary door holder power will be disconnected to conserve the battery backup. When AC power is restored, power is immediately restored to the door holder circuits.

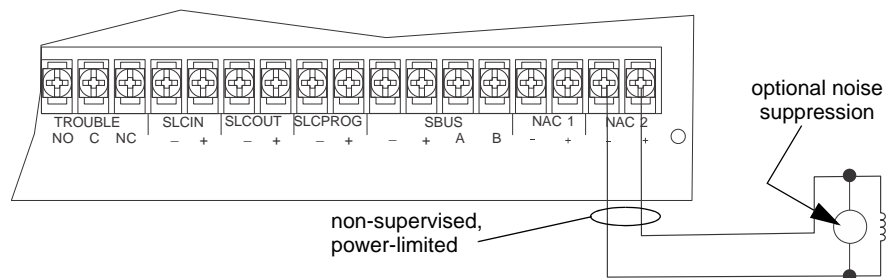


Figure 4.36 Example of an Auxiliary Power For Door Holder

Constant Power

Use constant power for applications that require a constant auxiliary power source. Power is always present at Constant circuits.

Resettable Power

Resettable power is typically used to power beam detectors, flame detectors and conventional 4-wire smoke detectors. For circuits selected as Resettable, 27.4 volt power is always present at the terminals unless a system reset occurs. If a system reset occurs, power is disconnected from the terminals for 30 seconds, then re-applied.

Sounder Sync Power

Sounder Sync Power continuously outputs the System Sensor synchronization pattern and is intended for use with TR-B200S Series sounder bases.

4.16 Onboard Relays (Conventional)

The control panel has two built-in programmable relays and a built-in fixed trouble relay. All relays are Form C rated at 2.5 A @ 27.4 VDC resistive.

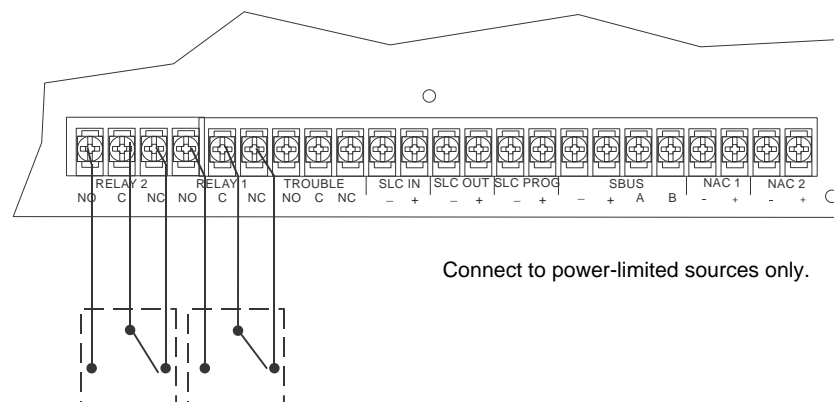


Figure 4.37 Location of Conventional Relay Circuits



NOTE: The N.C. contact is the relay contact that is closed when the panel has power and there are no alarm or trouble conditions.

4.16.1 Common Trouble Relay

The control panel has a dedicated Form C trouble relay built into terminals labeled TROUBLE. The relay provides a normally open and a normally closed contact. The trouble relay will deactivate under any trouble condition. Form C rated at 2.5 A @ 27.4 VDC resistive.

4.16.2 Programmable Relays

The control panel has two Form C programmable relays built into terminals labeled RELAY 1 or RELAY 2. Each relay provides a normally open and a normally closed contact.

To install one or two programmable relays, follow these steps.

1. Wire Relay 1 and/or Relay 2 as needed for your application. See Figure 4.37 for the location of the relay terminals.
2. Configure the relay through programming (see).

4.17 Remote Station Applications

4.17.1 Keltron Model 3158 Installation

The control panel is compatible with Keltron Model 3158, used for direct connection to a Keltron receiver. The 3158 reports alarms, supervisories, and troubles. The 3158 is intended for connection to a polarity reversal circuit of a remote station receiving unit having compatible ratings.

Follow the steps for connecting the 3158 to the control panel. Refer to the 3158 installation instructions for complete information.

1. Wire the 3158 to the control panel as shown in the connection list and Figure 4.38.
2. Wire the 3158 within 20 feet of the control panel. Wiring must be enclosed in conduit.
3. Program control panel Relay 2 for alarm.
4. Program NAC circuit 2 for alarm.
5. Program NAC circuit 1 for supervisory non-latching



NOTE: NACs must be programmed for continuous and non-silencing.

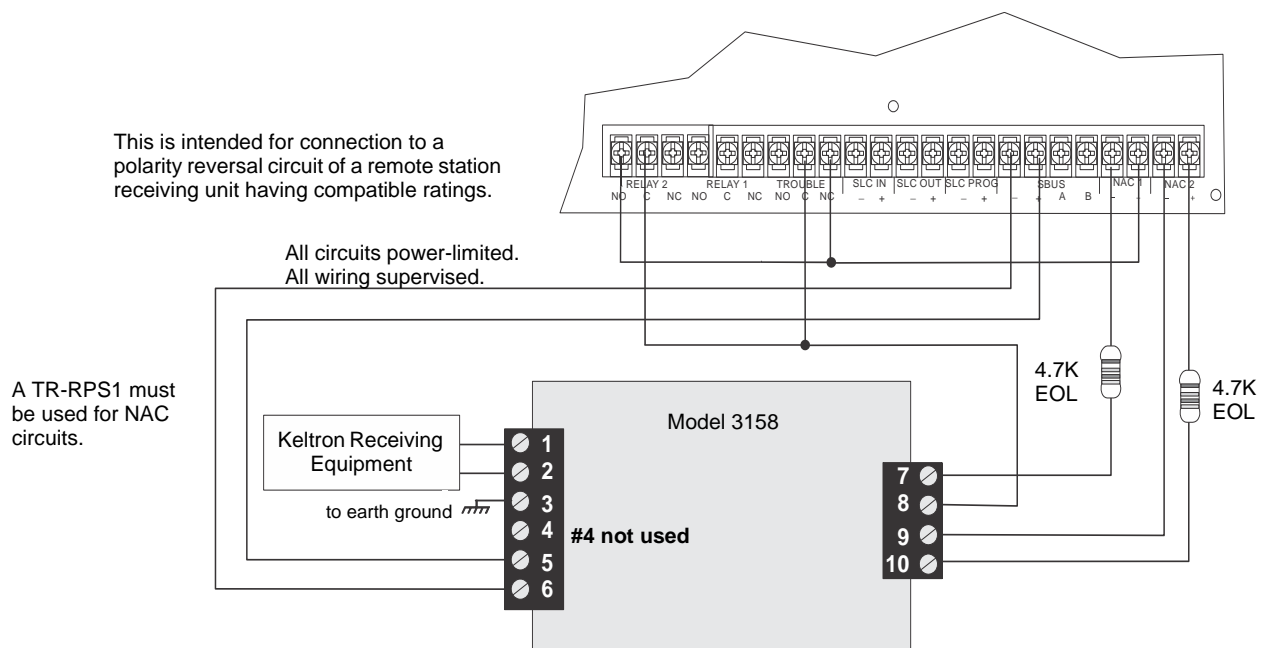


Figure 4.38 Keltron 3158 Connection to Control Panel

4.17.2 City Box Connection Using the 5220 Module

This section describes how to connect the control panel to a municipal fire alarm box or “city box” as required by NFPA 72 Auxiliary Protected Fire Alarm systems for fire alarm service. The city (master) box is an enclosure that contains a manually operated transmitter used to send an alarm to the municipal communication center which houses the central operating part of the fire alarm system.

- City Box Standby Current: 0 (Notification supervision current counted for in control panel draw.)
- Alarm Current: 1Amp for 1 second

- Max Voltage: 27.4VDC
- The maximum coil and wire resistance (combined) must not exceed 30 ohms.

To install the 5220 for city box connection:

1. Use one of the knockouts on the right side of the control panel to connect the 5220 using a short piece of conduit (must not exceed 20 feet in length).
2. Wire the 5220 to the control panel as shown in Figure 4.39. This drawing also shows how to connect the city box coil to terminals 3 and 4 on the 5220. Do not install an EOL resistor in the terminals of the NAC circuit used for this application.
3. Connect earth ground wire to the 5220 chassis with mounting screw.
4. Program the NAC circuit used as a continuous and non-silencing. Refer to Section 8.5 for point programming, Section 8.4 for group settings, and Section 8.3 for zone settings and mapping.

It is not possible to reset the remote indication until you clear the condition and reset the control panel.

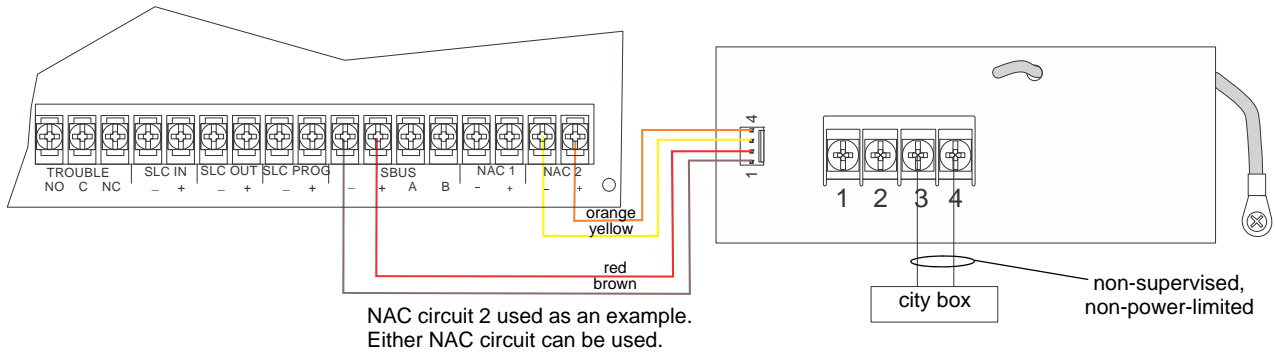


Figure 4.39 City Box Connection

4.17.3 NFPA 72 Polarity Reversal

Using the 5220 Module

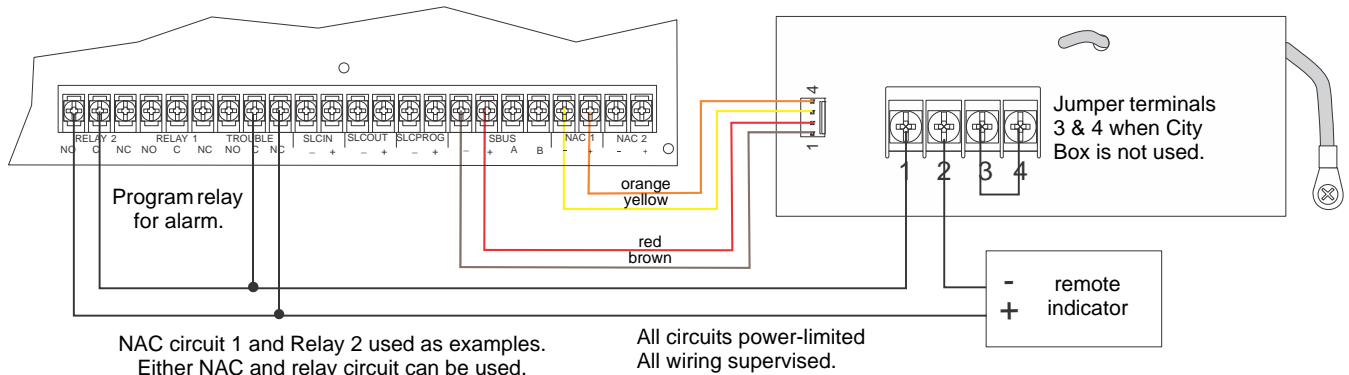
When the 5220 is wired and programmed for polarity reversal, it reports alarm and trouble events to a remote site. Alarms will override trouble conditions and it will not be possible to reset the remote indicator until the condition is cleared and the control panel is reset.

If an alarm condition occurs, the alarm relay will close, overriding the trouble condition.

- Standby Current: 100mA
- Alarm: 100mA
- Max. Voltage: 27.4VDC

To install the 5220 for polarity reversal, follow the steps below:

1. Locate the knockout on the right side of the control panel cabinet to connect the 5220 using a short piece of conduit (must not exceed 20 feet in length).
2. Wire the 5220 to the control panel using the four-wire pigtail provided as shown in Figure 4.40. This diagram also shows how to connect the 5220 to the remote indicator. Do not install an EOL resistor in the terminals of the NAC circuit used for this application.
3. Connect earth ground wire to the 5220 chassis with mounting screw.
4. Program the NAC circuit used as continuous and non-silencing. Refer to Section 8.5 for point programming, Section 8.4 for group settings, and Section 8.3 for zone settings and mapping.
5. If necessary, adjust loop current using the potentiometer (R10) on the 5220 board. Normal loop current is 2-8 mA with a 1k ohm remote station receiving unit. Maximum loop resistance is 3k ohms.



Not suitable for remote station protected premises service where separate transmission circuits are required for fire supervisory (if applicable) and trouble signals.

Figure 4.40 Polarity Reversal Connection Using the 5220 Module

4.17.4 Using a MR-201/T Control Relay From Air Products

When the MR-201/T control relay is wired for polarity reversal, it reports alarm and trouble events to a remote site. Alarms will override trouble conditions and it will not be possible to reset the remote indicator until the condition is cleared and the control panel is reset. If an alarm condition occurs, the alarm relay will close, overriding the trouble condition.

- Current: 15mA max.
- Operating Voltage: 24VDC nominal; 27.4 VDC max.
- Resistance: 4k Ω

To install the MR-201/T for polarity reversal, follow the steps below:

1. Wire the MR-201/T as shown in Figure 4.41.

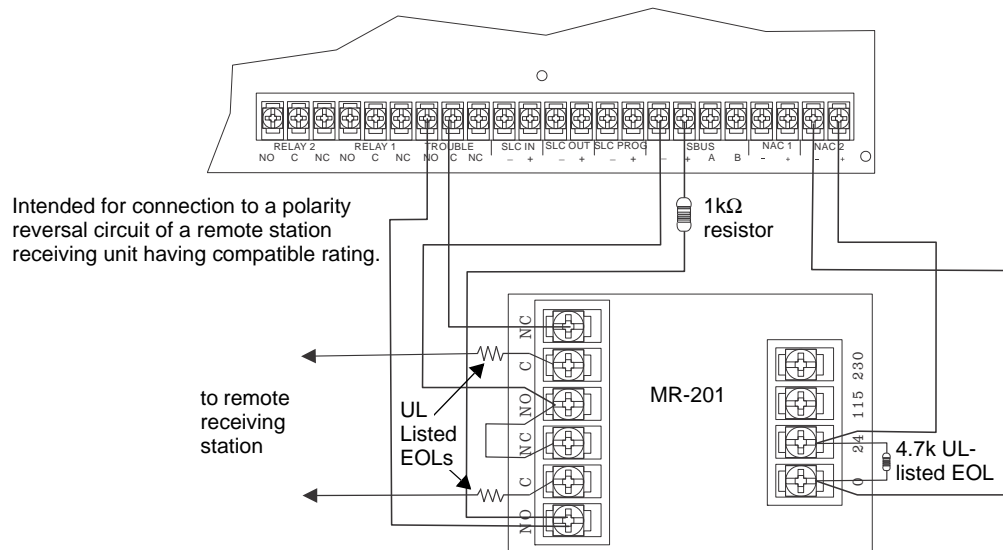


Figure 4.41 Polarity Reversal Connection Using the MR-201/T Relay

2. Program the NAC circuit as a non silence NAC circuit (see Section 8.5.2).



NOTE: If you need to transmit supervisory or trouble conditions, additional relay modules must be added. Use relay 1 to transmit supervisory conditions. Use the trouble relay to transmit trouble conditions..

4.17.5 Transmitter Activated by Dry Contacts

This section describes the connection of a UL 864 listed remote station transmitter to the TR-75 FACP dry contacts. The FACP contacts must be supervised by the remote station transmitter module using end-of-line resistors (ELRs) with a value determined by the transmitter manufacturer. Power is also provided by the remote station transmitter manufacturer. Refer to the remote station transmitter manufacturer’s manual for details.

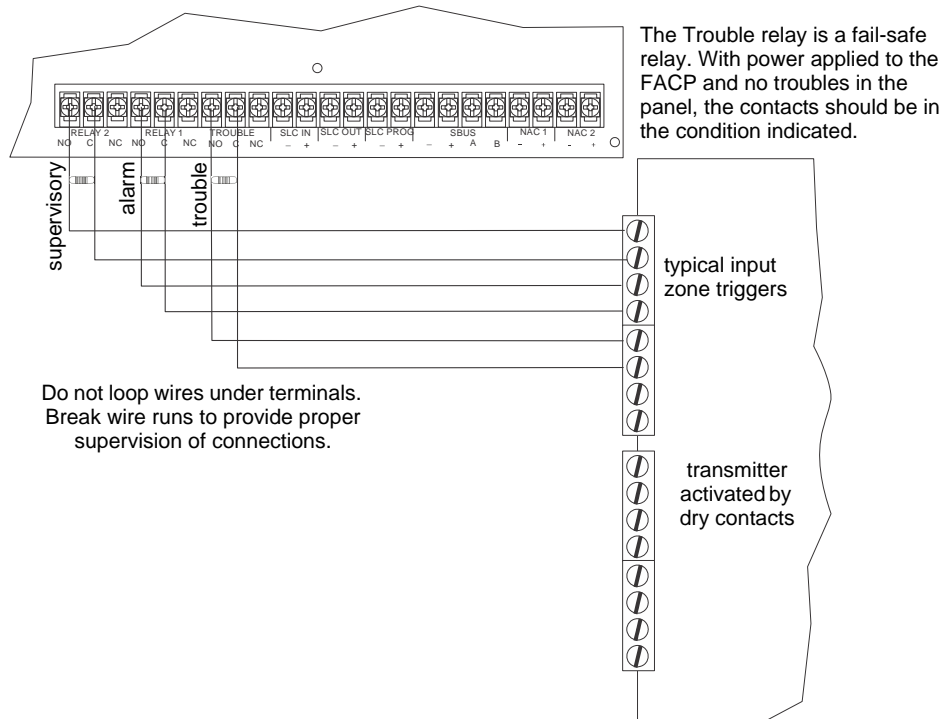


Figure 4.42 Transmitter Activated by Dry Contacts

Section 5: Networking

5.1 Network System Hardware Features

5.1.1 Networked Panels

The TR-75 panel can be networked to create a virtual system that is larger than 150 addressable points. Each additional TR-75 provides another 150 addressable points to the network total. For example, a network of 32 TR-75 panels provides a maximum addressable point capacity of 2,550 points (150 x 32= 4,800 SLC devices).

Wiring Options to Connect Networked Panels

A networked site is a logical group of TR-75 panels that behave as though the logical group is one large control panel. Each building is referred to as a “site.” All panels in a site operate as a single panel. The control functions like reset, silence and alarm activation operate across the entire site. There can be one or more logical sites within a networked system. Taken to the extreme, the maximum number of sites within a network system is limited to the number of panels in the network with each site comprised of only one panel.

1. Fiber-Optic Single Mode - Use the TR-NIC and TR-FSL for up to 30dB loss of signal separation. TR-FSL connects to the network using 9/125 micron single-mode fiber.
2. Fiber-Optic Multi-Mode - Use the TR-NIC and TR-FM for up to 8dB loss of signal separation. TR-FML connects to the network using 62.5/125 micron multi-mode fiber.
3. Twisted-Pair Copper Wire - must use the TR-NIC to provide up to 3,000 feet of separation.

All methods of panel connectivity can be used within the same networked system. The network architecture provides true peer-to-peer capability allowing network survivability for all hardware that remains operational in the event of partial system failure.

5.2 Direct Connect Wiring Option

When networking in a group of TR-75 panels, you must use the TR-NIC to link the panels together. See Figure 5.1 for external mounting of TR-NIC option.

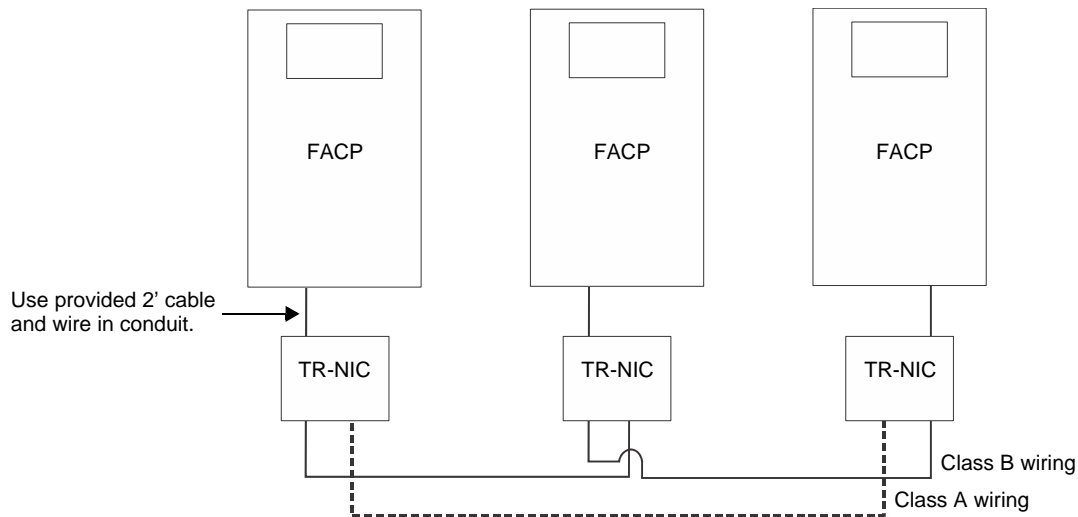


Figure 5.1 External TR-NIC Wiring Option

5.3 SK-NIC Wiring Options

Networking a group of TR-75 panels requires the use of a network interface card with each panel. The TR-NIC connects to other networked units using unshielded, twisted-pair wiring or fiber-optic cable.

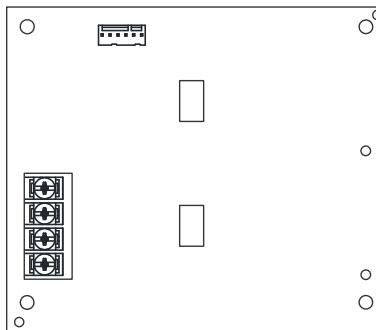


Figure 5.2 TR-NIC Network Interface Card

5.3.1 Fiber Loop Modules

Two types of fiber optic modules are available to use to transmit and receive communication with the TR-NIC.

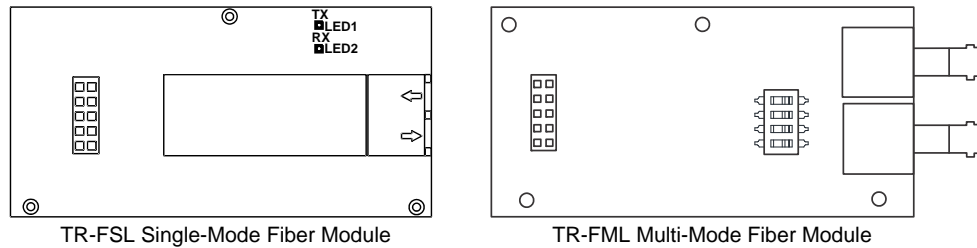


Figure 5.3 Types of Fiber Loop Modules

The TR-FML (Fiber-Optic Multi-Mode) and TR-FSL (Fiber-Optic Single-Mode) are plug-in fiber loop modules. The two types of fiber-optic modules are used as one channel to transmit or receive communications with the TR-NIC, ARCNET communication circuit.

The following describe the two types of fiber-optic modules.

- The TR-FML is a fiber module that allows the multi-mode fiber to network between nodes.
- The TR-FSL is a fiber module that allows the single-mode fiber to network between nodes.

Each fiber loop module can Transmit (TX) and Receive (RX) fiber-optic cable connecting to the TR-NIC. Up to two fiber loop cards can be added to the TR-NIC, and both cards may be combined in the same configuration. See Figure 5.4.

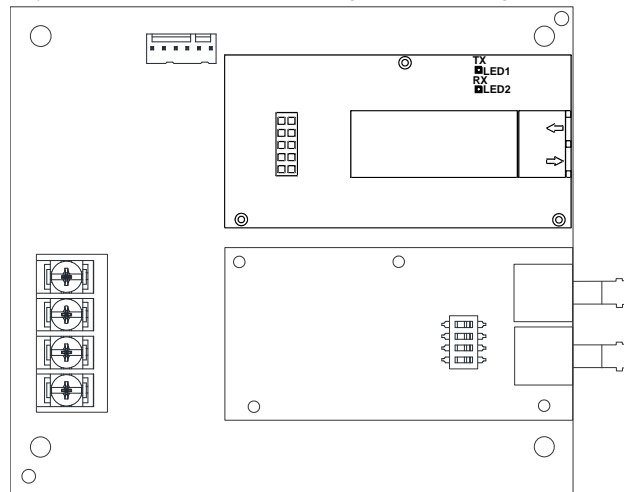


Figure 5.4 TR-NIC with Fiber Loop Modules

5.3.2 TR-NIC Mounting Kits

TR-NIC can be mounted in an accessory cabinet. An accessory kit is necessary to install the TR-NIC outside of the TR-75 cabinet.

- The TR-NIC-KIT includes a TR-NIC, small cabinet with locking door, cable, and mounting hardware.
- The TR-5815RMK includes a small cabinet with locking door and mounting hardware.

5.4 SK-NIC Installation

The TR-NIC is designed to mount on the bracket inside the accessory cabinet. Use the following steps to properly mount the TR-NIC-KIT.

1. Place the TR-NIC on the mounting bracket.

- Use the 6-pin cable included with TR-NIC to connect the TR-75 to the TR-NIC. The 6-pin cable must be run in conduit between cabinets. Refer to Figure 5.1.

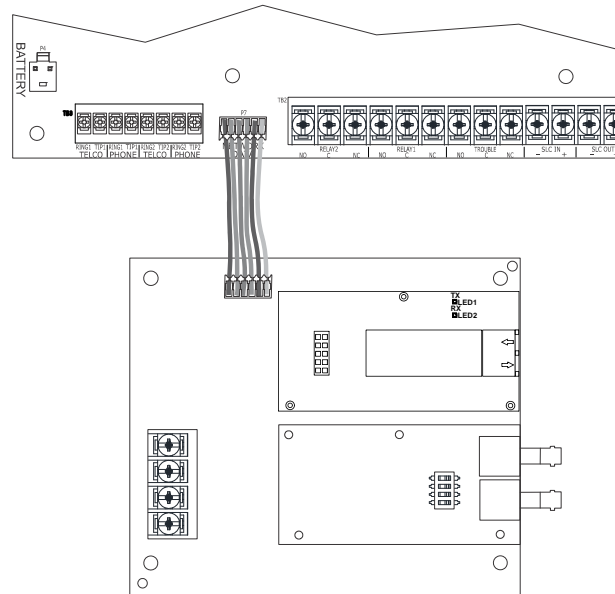


Figure 5.5 Panel to TR-NIC Connection

- Each TR-NIC has the ability to monitor for earth ground faults on the twisted-pairs connected to Port 1 of its terminal block TB2. Earth fault detection for any wiring at Port 2 of TB2 is done at the next/previous TR-NIC due to these wiring connections being connected to Port 1 of TB2 at the next/previous TR-NIC.
- Unused optic ports on fiber loop modules must have their dust caps placed on the port.
- Based on the type of data medium chosen, run the twisted pair wiring/fiber-optic cable to the next TR-NIC using a Class B or Class X wiring method. A combination of both medium types can be used. See Figure 5.6 through Figure 5.9 for TR-NIC wiring examples.

5.4.1 Wiring

Unshielded Twisted Pair Wiring between Multiple Panels

Unshielded twisted-pair wiring between multiple panels is shown in Figure 5.6. Class X wiring is shown with a dotted line.

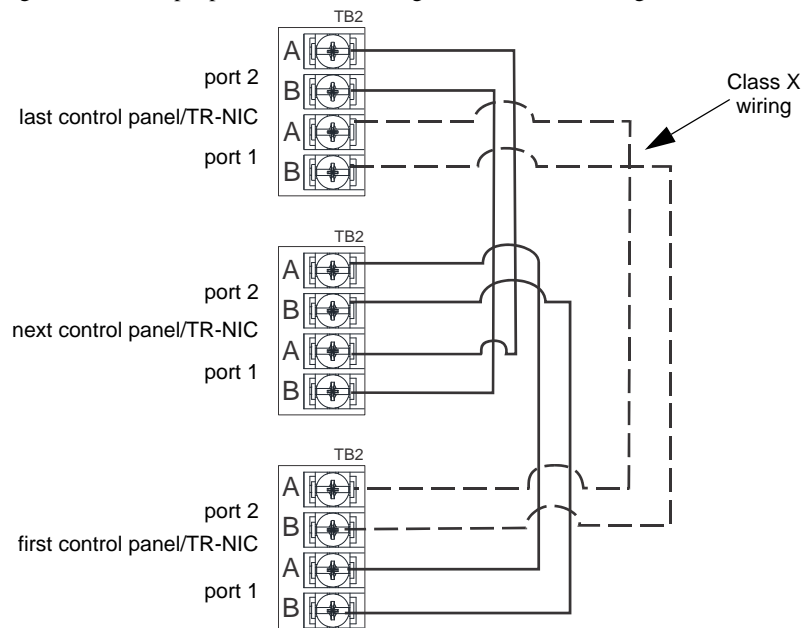


Figure 5.6 Twisted Pair Wiring Configuration

Fiber-Optic Multi-Mode Wiring between Multiple Panels

Fiber-optic cable between multiple panels is shown in Figure 5.7 and Figure 5.8. Class X is shown with a dotted line..

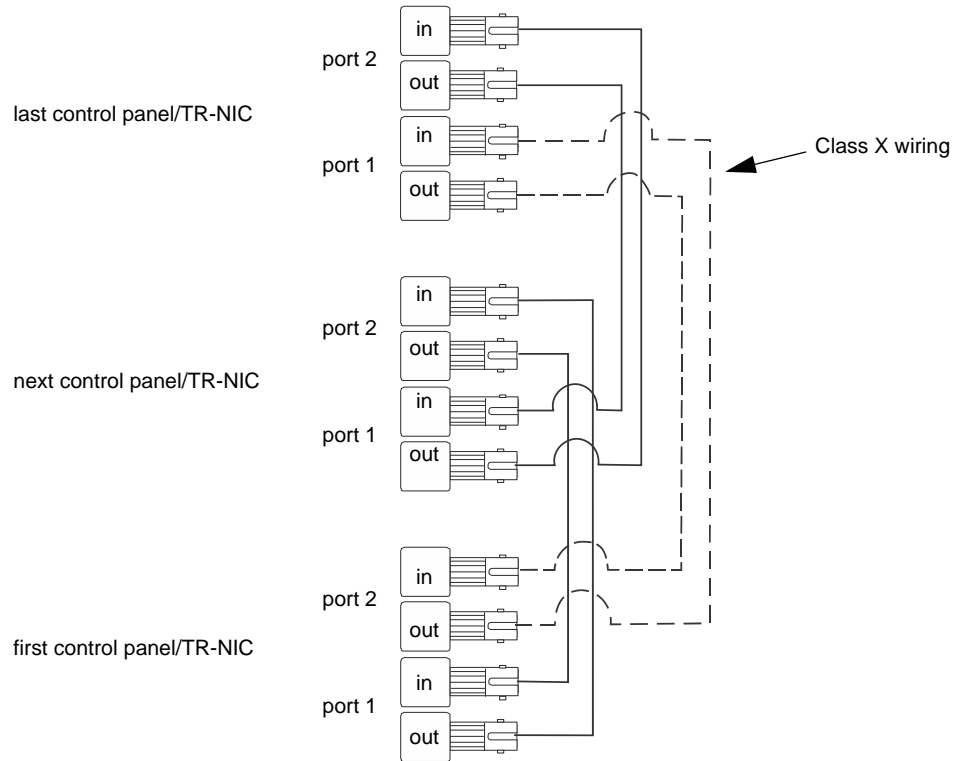


Figure 5.7 Fiber-Optic Wiring Example

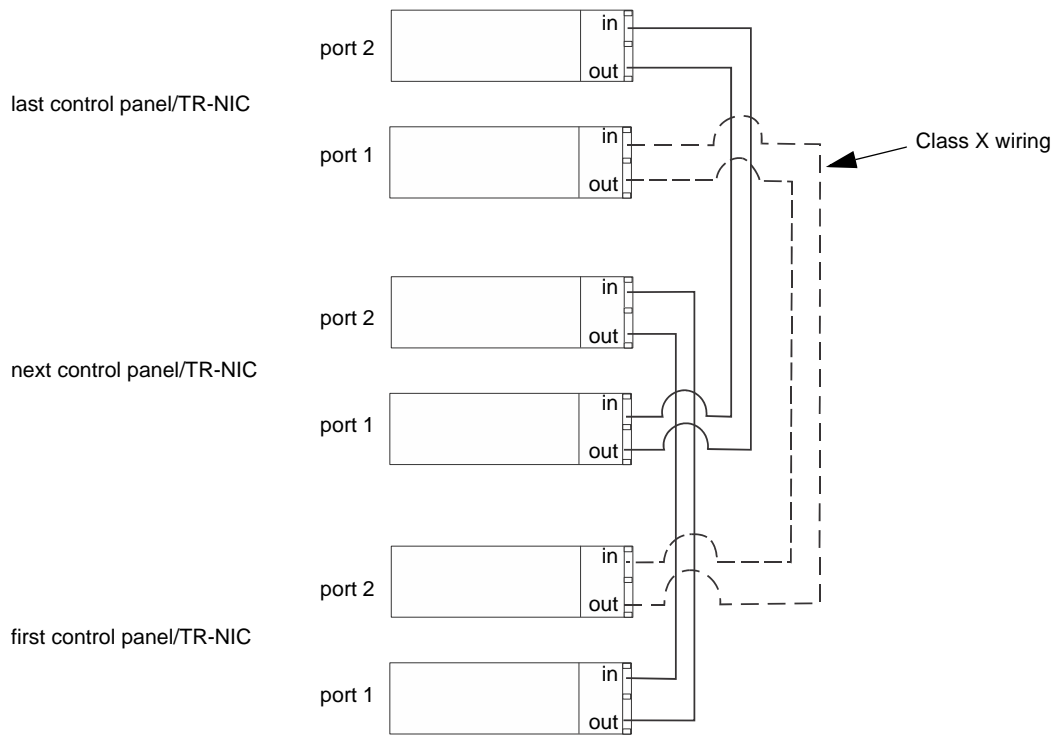


Figure 5.8 Fiber-Optic Wiring Single-Mode Example

Fiber-Optic and Twisted Pair Wiring between Multiple Panels

A mixture of fiber-optic cable and twisted-pair wiring between multiple panels is shown in Figure 5.9. Class X cabling is shown with a dotted line.

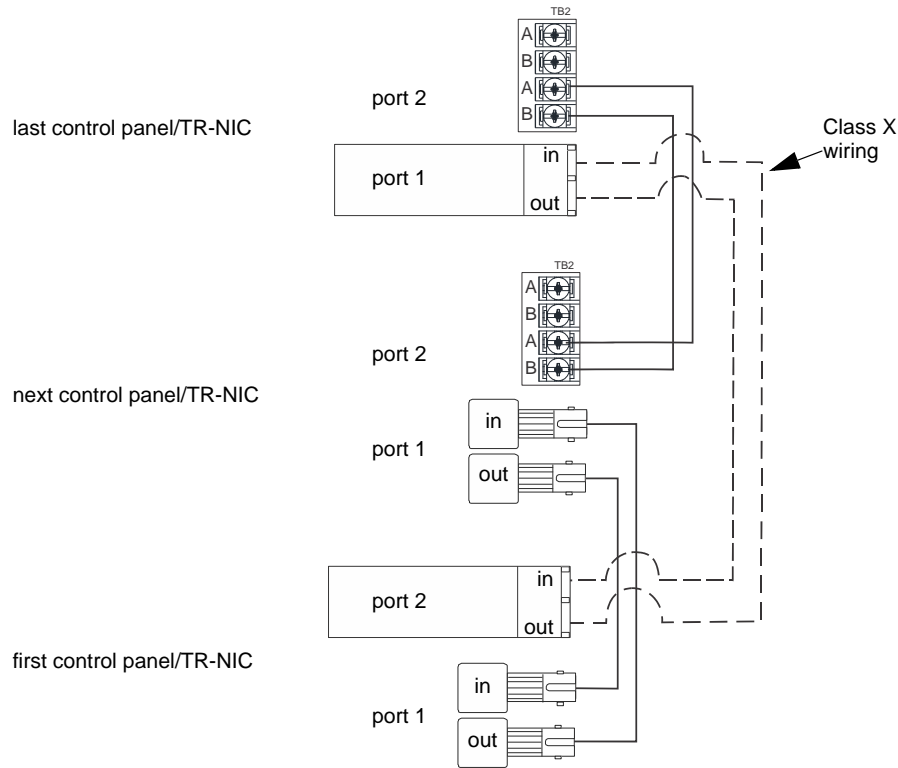


Figure 5.9 Twisted-Pair and Fiber-Optic Combination Wiring Example

5.5 Setting the Network ID for Each Panel



NOTE: It is important that much thought is given when choosing the network IDs for each panel. It is difficult to change the IDs once panel programming has begun.

Use the DIP switch positions 1 through 6 to set the network ID for each panel. Note that switches 7 and 8 are not used and should remain in the OFF position. See the figure below for possible DIP switch settings. Address 0 is an invalid address and cannot be used.

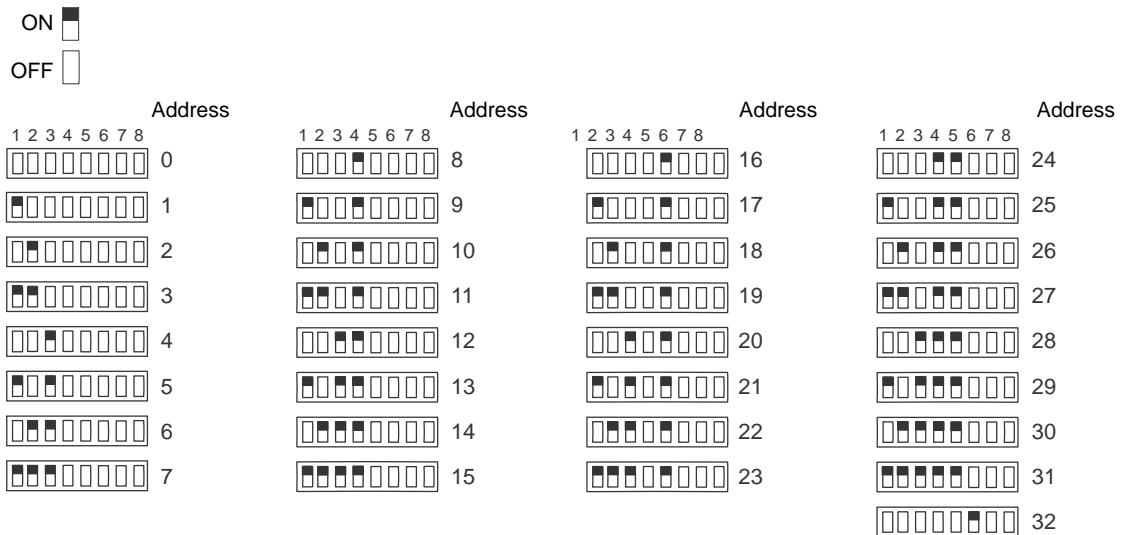


Figure 5.10 Network ID Settings

Notes

Section 6: Network Management

6.1 Network Diagnostics

6.1.1 Ping Panel

The Ping Panel Menu allows you to continually ping any panel programmed into the network. As the selected panel is being pinged, the Ping Panel screen will display the reply time, minimum, maximum reply times, and sent and received counters.

1. Login to the panel. The panel will automatically access the Main Menu.
2. Select 5 to access the Network Diagnostics.
3. Press 1 to enter the Ping Panel Menu.
4. Press the up or down arrow key to select the Network Panel ID. Press ENTER to Ping the panel.

6.1.2 Data Network Status

The Data Network Status screen will display statistics that are indicators of the Network performance.

1. Login to the panel. The panel will automatically access the Main Menu.
2. Select 5 to access the Network Diagnostics.
3. Press 2 to enter the Data Network Status Menu.

6.2 Network Programming

This section of the manual describes how to program the network options using the built-in annunciator. All options described in this section can be programmed using the HFSS Software Suite. HFSS must be used to edit site assignments.



NOTE: Off-site Event Troubles

These troubles appear when an event in another site activates Output Groups due to intra-site mapping. The following list of events may occur.

- Off-site Fire/Supervisory Event
- Off-site Advisory Event
- Off-site ECS Event

After the Alarm/Event is reset/restored in the site that caused it, these events restore automatically when the Output Group is set to OFF. Off-site events are logged in Event History.

6.2.1 Learn Network

The Learn Network Menu displays all of the panels connected to the network. Any panel that has been programmed into the network will appear as a “member.” Any panel that is connected to the network, but not programmed into the network, will appear as a “guest.” In this Menu, you can add the guest panels to the network by changing their status to the member panels. Panels showing OK are currently responding on the network. Panels not showing OK were either removed or are not responding due to the networking problems. See Section 6.1 above for Network Diagnostics.

1. Login to the panel. The panel will automatically access the Main Menu.
2. Select 6 to access the Network Programming.
3. Press 1 to enter the Learn Network Menu.
4. Press ENTER to add or remove the panels, (identified as either a member or a guest), connected to the network.



NOTE: If you add the panels to the network, the System will automatically run the Sync Network Options. You will be required to select from which panel to distribute the network options. See Section 6.3.

Incompatible Panel

If you try to add an incompatible panel as a member to the network, the Learn Network fails and an error message appears.

The incompatible panel remains a “guest”. To continue, remove the incompatible panel from the network.

6.2.2 Edit Network Names

The Edit Network Menu allows you to edit the panel name and edit the panel’s site name.

Edit Panel Names

1. Login to the panel. The panel will automatically access the Main Menu.
2. Select 6 to access the Network Programming.
3. Press 2 to enter the Edit Network Names Menu.
4. Press 1 to select Edit Panel Name. Choose the panel to edit.

Edit Site Names

5. Press 2 to select Edit Site Name. Choose the site to edit.

See Appendix A for a list of available characters and their numeric designators.

6.2.3 Edit Panel ID

This Menu option allows you to change the current Network Panel ID. It is best to carefully consider the network ID setting for each panel. Take into account any future panels that will be added to the network (for example, future wiring of wiring two buildings together). The Network Panel ID setting must be assigned a unique ID for each panel on the network.

This Menu will allow you to change the currently assigned Network Panel ID to the current Network ID DIP switch setting. The System will be down as the panel needs to reboot in order to complete the transition.

When you use HFSS to program the panels, the Network Panel ID will be locked from future editing. The only way to change the Network Panel ID, is to restore the defaults and use this Menu again.

Edit the Network Panel ID

1. Login to the panel. The panel will automatically access the Main Menu.
2. Select 6 to access Network programming.
3. Press 3 to enter the Edit Panel ID Menu.
4. If the Network Panel ID is changed and valid, the system will ask you to confirm the change. If it is not correct, you can change the DIP switches at this time.
5. Press the up arrow key to select YES and press ENTER to confirm.

6.2.4 Computer Access

The installer located at the panel site can initiate the communications between the panel and a computer running HFSS (see also Section 7.3). In order for this communication to function properly, both the computer (running the software) and the control panel must have matching computer access numbers and computer codes.

To program computer access information, do the following:

1. Login to the panel. The panel will automatically access the Main Menu.
2. Select 6 to access Network Programming.
3. Press 4 to enter the Computer Access Menu.
4. Enter the Computer Access Number (up to 6-digits), then, press ENTER.
5. Enter the computer code, then press ENTER.

6.2.5 Access Codes

Access codes provide the user access to the control panel functions. Each access code can be customized for each user. This feature allows some users the ability to access the programming and other higher level panel functions, while other users may only need access to the lower level functions (such as, performing fire drills or acknowledging trouble conditions). Access codes can only be assigned by someone with an Administrator profile. Refer to Section 9.2.1 on page 85 for more information on administrative permissions. Once an access code has been assigned by an administrator, a user has the ability to change it.

1. Login to the panel. The panel will automatically access the Main Menu.
2. Select 6 to access the Network Programming Menu.
3. Select 5 to access the Access Codes.

The display reads: *Select Profile 01*
 Fire Fighter's Key
4. Press the up or down arrow key to select the Access Code you want to edit.
5. Then, press ENTER.

Profile Edit Menu

From the Profile Edit Menu, the user can change their name and access code only.

■ Edit Name

6. See Appendix A for a list of available characters and their numeric designators.
7. Then press ENTER to finish.

■ Edit Access Code

8. Enter new access code (minimum of 4 digits, maximum of 7 digits).
9. Press ENTER.
10. Enter code again. Press ENTER.

6.2.6 Communicator Options

Communicator options provide the configuration for reporting events to a Central Station.

1. Login to the panel. The panel will automatically access the Main Menu.
2. Select 6 to access the Network Programming.
3. Press 6 to enter Communicator Options Menu.

Communicator Assignments

Each panel in the network specifies which network communicator is used for reporting. The network communicator capability of the linked system allows all panels to use the same communicator providing an economical solution for reducing the number of paths required for reporting purposes. A communicator is specified by the panel number. Use network communicators to report events according to the Communicator Report table.

Communicator Miscellaneous

When you use the SIA Reporting Format, the Communicator sends information according to the SIA Reporting Type.

The selections for this option are as follows:

- pi modifier (default)
- Panel ID*



NOTE: *Only the SIA sends the Panel ID when reporting.

Receiver Configuration

The TR-75 can report events to as many as 68 receivers. See Appendix B for a list of the panel/receiver relationship numbers. Each receiver can be assigned the reporting credentials. When you use a format that supports phone numbers, the format can be up to 40 digits long.

1. From the Main Menu, do the following.
2. Select 6 to access the Network Programming.
3. Press 6 to enter Communicator Options Menu.
4. Select 3 to access the Receiver Configuration.
5. Select the panel to program and press ENTER.
6. Enter the receiver number to which you want to report. The receiver numbers available will correspond with the panel number you entered. The receiver numbers are populated based on the panel number and audited to allow only the four appropriate receivers. See Appendix B for a list of receiver numbers.

The available format choices are:

- Contact ID
- SIA500
- SIA8
- SIA20
- Ethernet
- UNUSED

Communicator Reporting Table

The Communicator Report Table specifies the Event Reporting for each panel on the network. Each row in the table specifies the following. Also, associated with the receivers are the account number and the daily test option. The table format can have up to 99 rows.

1. From the Main Menu, select 6 to access the Network Programming.
2. Press 6 to enter the Communicator Options Menu.
3. Select 4 to access the Communicator Reporting Table.
4. Press * to add rows, Press ENTER to edit the data.

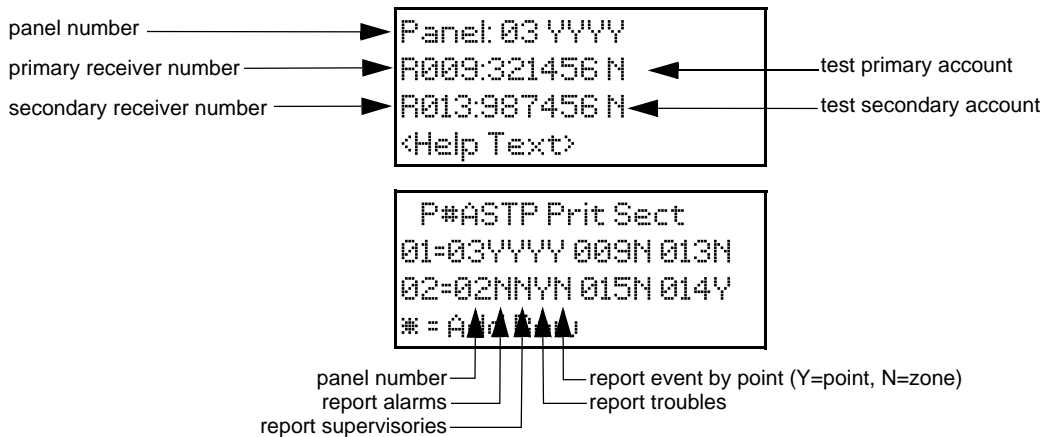


Figure 6.1 Communicator Reporting

6.3 Sync Network Options

After you make changes to network programming, if the distribution of network options fail, the System will report a trouble of network options out of sync. Use this Menu to redistribute the changed options to the rest of the network. The user will be required to choose a panel from which to source the options. Scroll down through the informational message and press ENTER to view the Select Source screen.

1. Login to the panel.
2. Select 6 to access the Network Programming Menu.
3. Select 8 to access the Sync Network Options.

- Select from which panel to source the options.

```
Select Source
01= Panel 1
02= Panel 2
03= Panel 3
```

Select the line number. #1 in this example.

```
Select Source
01= 07/28/21 12:20 OF
02 Panel 2
03 Panel 3
```

Line #1 scrolls to show the date.

```
Select Source
01=-/28/21 12:20 OF8B
02 Panel 2
03 Panel 3
```

Scroll down to see checksum.

Figure 6.2 Sync Network Options



NOTE: If you try to sync with the network and an incompatible panel is found, an error message will display.

6.4 Network Management Quick Reference

Menu	Options/Defaults			Comments			
Learn Network	Guest or member	Add or remove panels into the network		See Section 6.2.1			
Edit Network Names	Panel Names	Network Panel ID	Edit Panel Names	See Section			
	Site Names	Edit Site Member	Edit Site Names				
Edit Panel ID	Change current panel ID			See Appendix A for a list of available characters and their numeric designators. Refer to Section 6.2.3			
Computer Access	Computer Access Number	*123456		See Section 6.2.4			
	Computer Code	*0					
Access Codes	Select Profile (01 - 20)	Edit Name		Profile 1 is the profile that dictates what functions the Firefighter Key has access to. Because this is the profile for a keys, the user name and the Access Code can not be edited for this profile.			
		Edit Access Code					
Communicator Options	Communicator Assignments	Select Panel	Primary	0= unused	See Section 6.2.6		
	Communicator Miscellaneous	SIA Options	Enable pi SIA Modifier		See "Communicator Miscellaneous" on page 53		
			Include Panel ID in SIA Reporting				
	Receiver Configuration	Select Panel	Select Receiver	Receiver Number		See "Receiver Configuration" on page 54	
			Receiver Format	Contact ID			
				SIA500			
				SIA8			
SIA20							
	Ethernet						
	UNUSED						
	Receiver Credentials						
Communicator Report Table		Panel			See "Communicator Reporting Table" on page 54		
		Report Alarms					
		Report Supervisory					
		Report Troubles					
		Report Events by Point					
		Primary Receiver					
		Primary Account					
		Test Primary Account					
		Secondary Receiver					
		Secondary Account					
Test Secondary Account							
Sync Network Options					See Section 6.3		

Table 6.1 Network Management Quick Reference List

Section 7: Programming Overview

This section of the manual is intended to give you an overview of the programming process. Please read this section of the manual carefully, especially if you are programming the control panel for the first time.

The JumpStart auto-programming feature automates many programming tasks and selects the default options for the system. You will run the JumpStart auto-programming at least once when you install the system. See Section 7.1 for details. After you run the JumpStart auto-programming, you may need to do some additional programming, depending on your installation. Section 8 of this manual covers manual programmable options in detail.

Programming the panel can be thought of as a three part process. You must program the following:

- System options. These are options that affect the general operation of the panel (see Section 8.6 for details).
- Options for input points and zones. These are primarily options that control the detection behavior of the devices (see Section 8.3 and Section 8.5 for details).
- Options for output points and groups. These options include selecting characteristics for output groups and mapping output circuits to output groups (see Section 8.4 and Section 8.5 for details).

7.1 JumpStart Auto-Programming

The JumpStart auto-programming feature allows for a faster system setup. When you run the JumpStart auto-programming (immediately after addressing SLC devices), the system scans devices on all SLC loops and determines the device type (for example, photoelectric smoke detector or heat sensor) and selects some system options based on the device type. This feature saves the installer from having to program options for each device. Depending on the application, the installer may need to make some changes after the JumpStart auto-programming completes.

See Section 7.1.3 for complete details about running JumpStart auto-programming.



CAUTION: JUMPSTART AUTO-PROGRAMMING

JUMPSTART AUTO-PROGRAMMING IS INTENDED TO BE RUN ONE TIME ONLY, IMMEDIATELY AFTER SLC DEVICES HAVE BEEN ADDRESSED AND CONNECTED. JUMPSTART AUTO-PROGRAMMING WILL RESET ALL MANUALLY PROGRAMMED OPTIONS TO DEFAULT SETTINGS. DO NOT RUN JUMPSTART AFTER YOU HAVE CONFIGURED THE SYSTEM.

7.1.1 Input Points

JumpStart auto-programming will determine the number and type of input points (detectors or contact monitor modules) on each SLC loop. JumpStart auto-programming assigns the correct detector type (heat, or photoelectric), so the installer does not need to edit device type for detectors. Any contact monitor modules on the system will be assigned type “Manual Pull.” The installer will need to manually change the switch type if manual pull is not correct.

JumpStart auto-programming creates one zone (Zone 1) and assigns all input points to Zone 1. Zone 1 is mapped to Output Group 1.

7.1.2 Output Points

The JumpStart auto-programming creates three output groups and assigns output circuits as follows:

Circuits 1-2 Configured as Notification and assigned to Group 1. JumpStart auto-programming automatically programs Zone 1 to activate Group 1 using constant on output when an alarm condition occurs.

Circuit 3 (Relay 1) Assigned to Group 124. JumpStart auto-programming automatically programs Zone 1 to activate Group 124 using constant on output when a supervisory condition occurs.

Circuit 4 (Relay 2) Assigned to Group 125. JumpStart auto-programming automatically programs Zone 1 to activate Group 125 using constant on output when an alarm occurs.

Addressable output points (Relay modules) All addressable relay devices will be configured as “Output Pt” (general purpose output point) and assigned to Group 1.



NOTE: The Relay output is constant even if the zone activating the relay is programmed with an output pattern.

7.1.3 Running JumpStart Auto-Programming

Run JumpStart auto-programming immediately after you address and connect all the input devices (detectors, pull stations, and so on) and output devices (notification appliances, relays, and so on).



NOTE: To install a few devices manually after running JumpStart, see Section 8.2.2.

To run JumpStart auto-programming:

1. Login to the panel and access the main menu.
2. Select 7 for the Program Menu.
3. From the next Menu, select 6 for JumpStart.
4. The message, “SLC FAMILY TRIGA” appears. press ENTER.
5. A series of messages display for the next several seconds. JumpStart scans the SLC loops for the devices. This process can take several minutes, depending on the number of devices attached.
6. When the message “Configuring System Done” displays, press any key to continue.
7. Select one of the following options from the menu that displays.

Menu Options	Description
1 - Review System	Press 1 if you need to review the JumpStart configuration.
2 - Repeat JumpStart	Press 2 if you need to rerun JumpStart for any reason.
3 - Accept Changes	<ol style="list-style-type: none"> 1. If you are ready to make the JumpStart configuration permanent, select 3. 2. The system will prompt you if the installation contains any addressable duct detectors used. If there are none, select 2 for No and skip to step 8. If the system contains duct detectors, select 1 for Yes and continue with Step 3. 3. From the list that displays, select the SLC that contains the duct detectors. 4. The first photoelectric or ionization detector on the system will display. Select 1 for DUCT and 2 for NonDUCT. 5. Press the up arrow key to select the next detector. Select 1 for DUCT and select 2 for NonDUCT. Continue until you have selected all duct detectors. (Note: Press the down arrow key to move the cursor backwards through the list). 6. When you reach the last detector on this device, press the left arrow key. 7. The system will ask you if there are any duct detectors used. If there are, select 1 for Yes and the message, "Have All Addressable Duct Detectors Been Identified?" prompts. Press the left arrow key to select "No" or press the right arrow key to select "Yes". If there are no more duct detectors, continue to Step 8. 8. The system will restart with the saved JumpStart configuration. 9. After the system resets, it will use the new JumpStart configuration.
4 - Discard Changes	If you want to discard the changes, and keep the configuration you had before running this JumpStart, press 4.

Table 7.1 JumpStart Menu Options

7.2 Mapping Overview

Mapping is an important concept with the control panel. In general terms, mapping is assigning or linking events to outputs that should activate when events occur. You do this by assigning input points to input zones, output points to output groups and then linking or mapping zones and output groups.

Figure 7.1 is a brief overview of the concept of mapping. The next several pages of the manual show these subjects in detail.

In its simplest application, mapping determines which outputs are activated by which inputs.

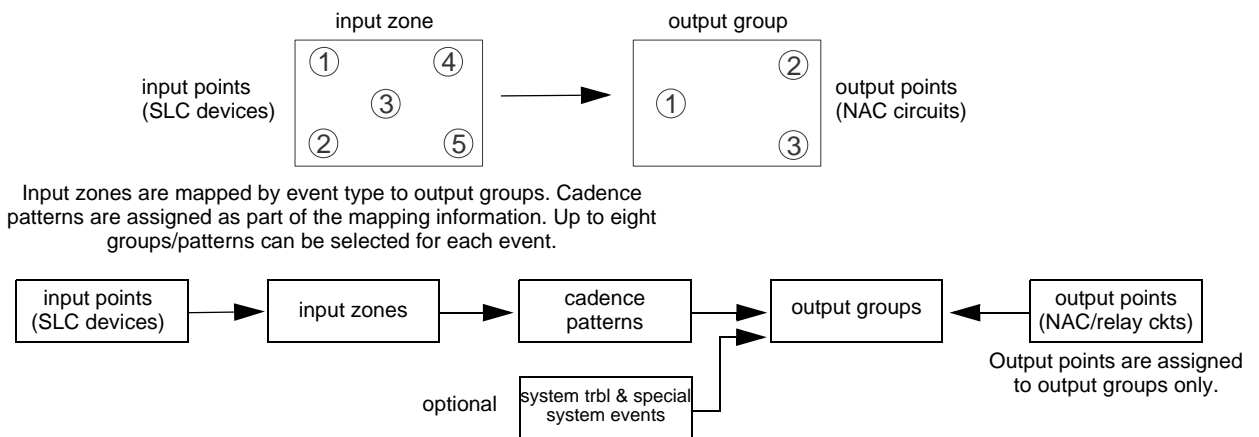


Figure 7.1 Mapping Overview



NOTE: Mapping cannot be programmed through the annunciators. It can only be programmed through the HFSS Software Suite.

7.2.1 Input Point Mapping

Input points are assigned to input zones. Any input point can be assigned to any input zone. Input points can be assigned to one zone only. An input point can be designated as “unused,” which means it has not been assigned to a zone.

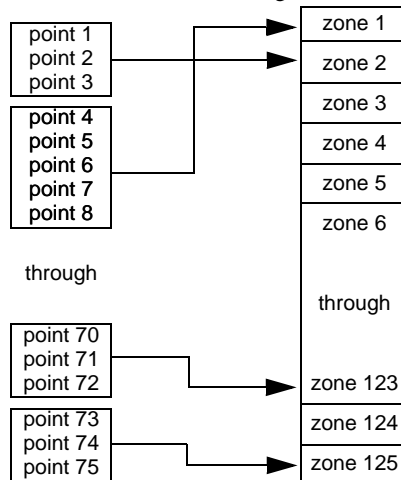


Figure 7.2 Input Point Assignment Example

7.2.2 Output Circuit Mapping

Figure 7.3 is a simple example showing how to assign notification and relay output circuits to groups. For an example of a simple floor above/floor below application, see Figure 7.5.

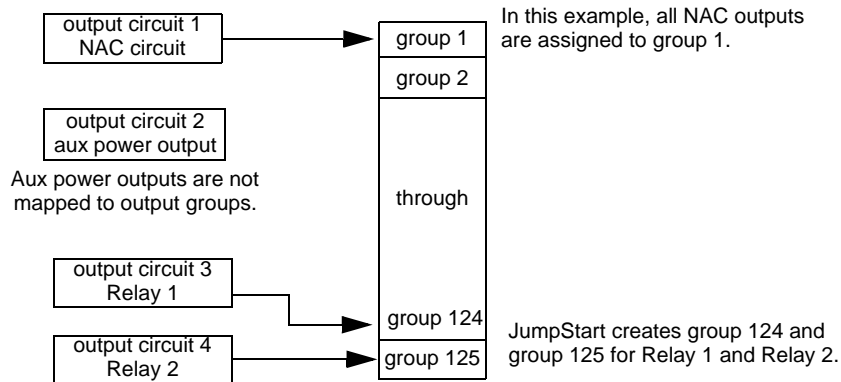


Figure 7.3 Assigning Output Circuits to Groups (Example)

7.2.3 Event Mapping

There are 11 types of zone events, 14 types of panel events, and 6 types of site events that can be mapped (see Table 7.2). For each event type, you can activate the output groups with specific the output patterns. Mapping examples are shown in Figures 7.4, 7.5, & 7.6.

System	Zone	Panel	Site
Fire	Manual Pull Alarm	System Aux 1 Alarm	Fire Drill
	Water Flow Alarm	System Aux 2 Alarm	General Fire Alarm
	Detector Alarm (heat or smoke detectors)		General Fire Supervisory
	Zone Aux 1 Alarm		General Fire Pre-Alarm
	Zone Aux 2 Alarm		
	Interlock Alert		
	Interlock Release		
	Pre-Alarm		
	Fire Supervisory		
	Status Point		
	CO Alarm		
	CO Supervisory ¹		

Table 7.2 Event Types

System	Zone	Panel	Site
Emergency			
Advisory	Trouble	SBUS Expander Trouble	General Trouble
	Status Point Active	SBUS Class A Trouble	Site Silenced
		SLC Loop Trouble	
		AC Loss Trouble	F1 Key Active
		Battery Trouble	F2 Key Active
		Ground Fault Trouble	F3 Key Active
		Phone Line Trouble	F4 Key Active
		Reporting Account Trouble	

Table 7.2 Event Types

- Temporal 4 coding cannot not be used for NAC circuits on CO Supervisory events.

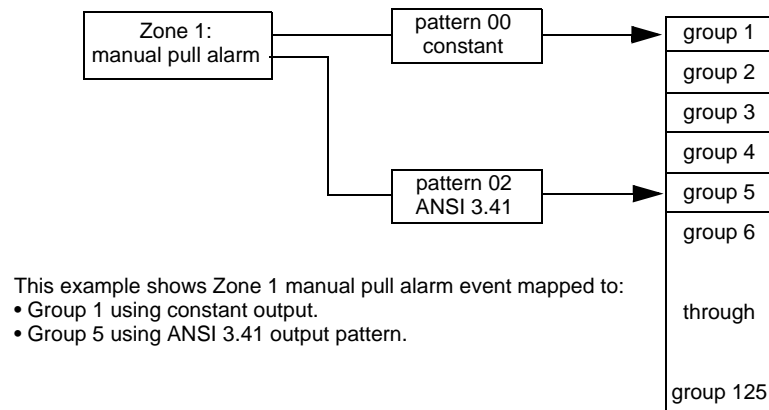


Figure 7.4 Example of Zone Events Mapped to Output Groups and Patterns

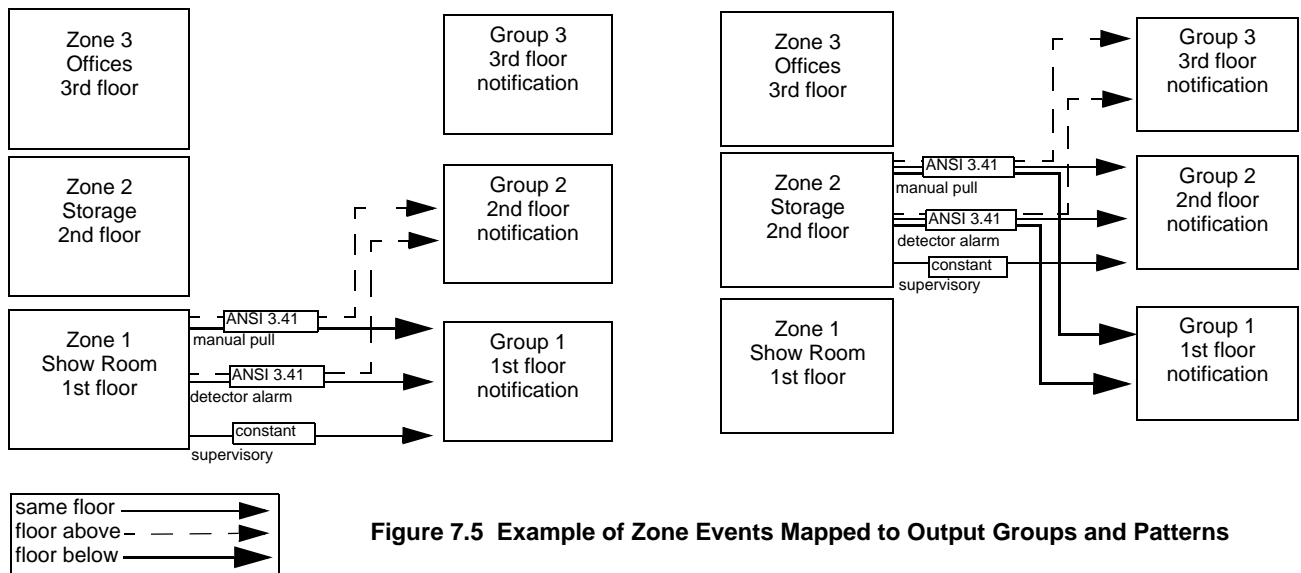


Figure 7.5 Example of Zone Events Mapped to Output Groups and Patterns

7.2.4 Mapping LED Points

Figure 7.6 is a simple example showing how LED points are mapped to zones and Output Groups. Typically you would create two Output Groups for each zone, one for alarms and one for troubles. (LED points are available when Models TR-5865-3/4 and/or TR-5880 are used with the system)..

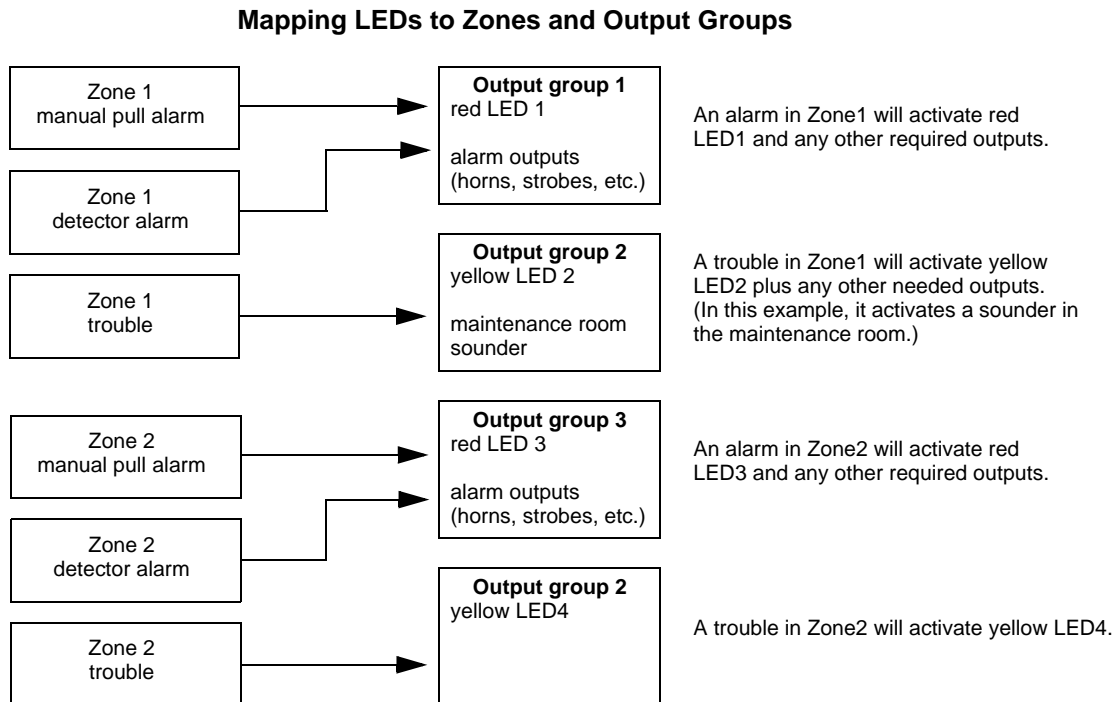


Figure 7.6 Example of LED Points Mapped to Output Groups (applies to Models TR-5865-3/4 and TR-5880)

7.3 Programming Using the HFSS Software Suite

You can use the HFSS Software Suite to program the control panel on-site (the personnel will need to be on-site during the upload or download process). HFSS is a software package that lets you easily program the control panel using a Windows-based computer. HFSS is needed for mapping. When you use HFSS, you can set up the programming options for the panel, save the options in a file, then download the file to the panel. You can connect directly to the control panel using the onboard USB or Ethernet port. Updates are available at www.triga-global.com.

7.4 Programming Using an Annunciator

You can program the control panel from a system annunciator, using either the control panel's onboard annunciator, TR-RD2G/R, or TR-RDIG/R remote annunciators.

The following subsections describe the programming basics, including a description of editing keys available for programming and how to move through the programming menus. Section 8 contains specific information about the individual programming options.



NOTE: Mapping cannot be programmed through the on-board and remote annunciators. Mapping is only available through the HFSS Software Suite.

7.4.1 Entering / Exiting the Program Menu

Entering the Program Mode

1. Login to the panel.
2. Select 7 for Program Menu. The menus described in Section 8 of this manual will display. Section 7.5 of this manual is a quick reference listing of all programmable options and the JumpStart auto-programming defaults.

Exiting Program Mode

When you completed working with the menus, press the left arrow button several times until you have exited from programming mode. Two prompts will display.

- The first prompt appears to confirm you intended to leave the Program Menu (select Yes or No as appropriate).
- The second prompt appears to confirm all changes. If you select No, any changes you made since you entered the Program Menu will be discarded.

7.4.2 Moving through the Menus

The first line of the display identifies the menu. The option available for editing displays next to the equal sign. Press the ENTER/ACK key to select the desired option. Arrows on the LCD indicate there are more options available. Access these screens by pressing the down arrow key. When the equal sign reaches the last item displayed on the screen, the screen will scroll down. Likewise, when the equal sign reaches the first item on the screen, the screen will scroll up.

Figure 7.7 shows how to move through Menu screens, using the System Tests screen as an example.

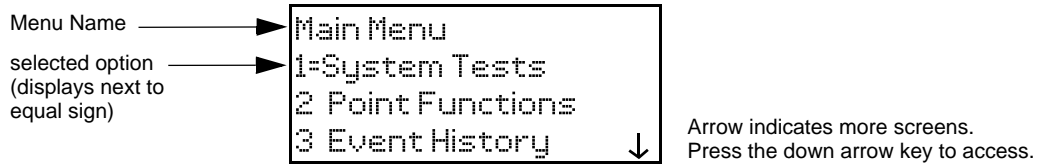


Figure 7.7 Moving Through the Program Menu

7.4.3 Selecting Options and Entering Data

There are several ways to make programming selections using the control panel depending on which screen you are currently using. The chart below is a generic explanation.

To:	Press
Select from a Menu:	Enter the number of the option.
Enter the numeric data:	Press the appropriate number on the annunciator.
Enter the text (alphanumeric data):	Use the Up and Down arrow keys to enter each character individually until the one you want to select displays. Then, press the right arrow to select the character.
Select from a scrolling list:	Use the up and down arrow to move through a list of available options. When the option you want to select is displayed, press ENTER.

Table 7.3 Selecting the Options

7.5 Programming Menu Quick Reference

This section of the manual lists all Program Menu options in the order they appear on the sub-menus. The default settings are indicated in text or marked with an asterisk. The Comments column includes the information and a reference to a section (if applicable) which has more detailed information.

Menu		Options/Defaults		Reference
Module	Edit Module	Select Module	Edit Module ID	Section 8.2.1
			Enter Module Name	
			Edit Module specific options	
	Add Module	TR-5824 Printer Module		Section 8.2.2
		TR-RD2G/R LCD Annunciator		
		TR-RD1G/R LCD Annunciator		
		TR-RPS1 Power Supply		
		TR-5880 LED I/O Module		
		TR-5865 LED Annunciator Module		
		TR-NIC Network Interface Card		
Delete Module	Select Module		Section 8.2.3	
View Module List	Select Module		Section 8.2.4	

Table 7.4 Programming Quick Reference List

Menu		Options/Defaults				Reference	
Zone	Edit Zone	Select Zone	Edit Zone Name			Section 8.3.1	
			Zone Properties	Verification Type	*1-Count		
					2-Count		
					Alarm Ver.		
					PAS		
					SNGL ILOCK		
					DBL ILOCK		
			Heat Temp Set	135° to 150°F			
			Zone Accessory Opt	Single/Multi-station Cadence	00-23		
	CO Single/Multi station Cadence	00-23					
Local Zone	Yes						
		No					
View Zone Points		Select Zone to View			Section 8.3.2		
Group	Edit Group	Select Group	Group Name		Section 8.4.1		
			Group Properties	Template Override		Y or N	
		Dynamic Act/Template Override Cadence		00-23			
View Group Points		Select Group					
Edit Output Group Template		Select Template	Modify name and which Output Groups are in the template				
Point	Devices on Internal SLC	Enter Pt	Select Module ¹	UNUSED		Section 8.5.1	
				MANUAL PULL	WATERFLOW		*LATCH
							NON-LATCH
				FIRE SUPERVSY			*LATCH
							NON-LATCH
				FIRE DRILL			
				SILENCE			
				RESET			
				P.A.S. ACK			
				ZONE AUX1			*LATCH
							NON-LATCH
				ZONE AUX2			LATCH
							NON-LATCH
				SYSTEM AUX1			LATCH
							NON-LATCH
				SYSTEM AUX2			LATCH
NON-LATCH							
DETECTOR							
FIRE TAMPER		LATCH					
		NON-LATCH					
MANUAL RELEASE							
INTERLOCK							

Table 7.4 Programming Quick Reference List (Continued)

Menu		Options/Defaults			Reference		
Point (cont.)	Devices on Internal SLC	Enter Point	Select Module ¹	SWITCH ^{1, 2}	STATUS POINT	Section 8.5.1	
					CO DETECTOR SWITCH		
					CO SUPERVISORY DETECTOR SWITCH		LATCH
				NOTIF ^{1, 2}	OUTPUT PT		Select Group
					AUX CONST ²		
					AUX RESET		
				RELAY ^{1, 2}	AUX DOOR		
					OUTPUT PT		Select Group
					AUX RESET		
				DETECTOR	2-WIRE SMOKE		Select Zone
			W-Gateway ^{1, 3}				
			W-SWITCH ^{1, 3}	Same as SWITCH			
			W-RELAY ^{1, 3}	Same as Relay			
		Select Sensor ^{1, 2}	UNUSED				
			DETECTOR ^{1, 2}	PHOTO ¹ ,	No Accessory	Single station or Multi station Silence or Non- Silence	
					SDR BAS		
					RLY BAS		
					I-SdrBa (Intelligent Sounder Base)		Latch or non- latch, Single station or Multi station, Silence or Non-Silence, volume high (default) or low
			DETECTOR ^{1, 2}	HEAT ¹ ,	No Accessory	Single station or Multi station Silence or Non- Silence	
					SDR BAS		
					RLY BAS		
					I-SdrBa (Intelligent Sounder Base)		Latch or non- latch, Single station or Multi station, Silence or Non-Silence, volume high (default) or low
			PHOTO DUCT ¹ ,	No Accessory			
2-WIRE SMOKE ^{1, 2}	DCT RLY						

Table 7.4 Programming Quick Reference List (Continued)

Menu		Options/Defaults			Reference		
Point (con't)	Devices on Internal SLC (cont)	Enter Pt	Detector	DETECTOR ^{1,2}	ACCLIMATE ²	No Accessory base	
						SDR BAS	Single station or Multi station
						RLY BAS	Silence or Non- Silence
					I-SdrBa (Intelligent Sounder Base)	Latch or non- latch, Single station or Multi station, Silence or Non-Silence, volume high (default) or low	
					HEAT HT ²	No Accessory base	
						SDR base	Single station or Multi station
						RLY base	Silence or Non- Silence
					I-SdrBa (Intelligent Sounder Base)	Latch or non- latch, Single station or Multi station, Silence or Non-Silence, volume high (default) or low	
					PHOT-HEAT ²	No Accessory base	
				SDR BAS		Single station or Multi station	
				RLY BAS		Silence or Non- Silence	
				I-SdrBa (Intelligent Sounder Base)	Latch or non- latch, Single station or Multi station, Silence or Non-Silence, volume high (default) or low		
BEAM ²							
SUP DET ¹²	Same function as DETECTOR	LATCH					
		NON-LATCH					

Table 7.4 Programming Quick Reference List (Continued)

Menu		Options/Defaults				Reference	
Point (Cont)	Devices on Internal SLC (cont)	Enter Point	Detector	CO FIRE ²	CO ALARM/ FIRE ALARM	No Accessory base	
						SDR BAS	Single station or Multi station
						RLY BAS	Silence or Non-Silence
					CO ALARM/ FIRE SUPR	I-SdrBa (Intelligent Sounder Base)	Latch or non-latch, Single station or Multi station, Silence or Non-Silence, volume high (default) or low
						No Accessory base	
						SDR BAS	Single station or Multi station
					CO SUPR/ FIRE ALARM	RLY BAS	Silence or Non-Silence
						I-SdrBa (Intelligent Sounder Base)	Latch or non-latch, Single station or Multi station, Silence or Non-Silence, volume high (default) or low
						No Accessory base	
					CO SUPR/ FIRE SUPR	SDR BAS	Single station or Multi station
	RLY BAS	Silence or Non-Silence					
	I-SdrBa (Intelligent Sounder Base)	Latch or non-latch, Single station or Multi station, Silence or Non-Silence, volume high (default) or low					
	W-Detector ^{2,3}	W-SUP DET ^{2,3}	Photo				
			Acclimate ^{1,3,3}				
Heat							
Same as W-Detector							
Internal Power and External Power	Point #	UNUSED					
		B NOTIF	NOTIF OUTPUT CONTROL CIRCUIT	Select Group, Supervised Yes or No	Edit Name		
		A NOTIF	NOTIF OUTPUT CONTROL CIRCUIT	Select Group Supervised Yes or No	Edit Name		
		AUX PWR	CONSTANT	Edit Name			
			AUX RESET				
			AUX DOOR				
	AUX SYNC ⁴						

Table 7.4 Programming Quick Reference List (Continued)

Menu		Options/Defaults			Reference			
Point (cont.)	Internal Power and External Power	Point #	B SWITCH ⁵	MANUAL PULL	Latch and Non-Latch feature only appear for WATERFLOW, FIRE SUPERVISORY, FIRE TAMPER, ZONE AUX1, ZONE AUX2, SYSTEM AUX1, SYSTEM AUX2	Section 8.5.2		
				WATERFLOW				
FIRE SUPERVISORY								
FIRE TAMPER								
FIRE DRILL								
SILENCE								
RESET								
P.A.S. ACK								
ZONE AUX 1								
ZONE AUX2								
SYSTEM AUX1								
SYSTEM AUX2								
MANUAL RELEASE								
INTER-LOCK								
STATUS POINT								
			A SWITCH ⁵	Same as B SWITCH				
			B DETECT ⁵	2-WIRE SMOKE	Zone # Edit Name			
				4-WIRE SMOKE				
				CO 4 WIRE DET				
				CO 4 WIRE SUP DET		Latch		
				Non-Latch				
			A DETECT ⁵	2-WIRE SMOKE				
				4-WIRE SMOKE				
				CO 4 WIRE DET				
				CO 4 WIRE SUP DET	Latch			
				Non-Latch				
	TR-5880/TR-5865	Enter Point #	UNUSED			Section 8.5.3		
				NOTIF	NOTIF OUTPUT CONTROL CIRCUIT		Select Group Edit Name	
System Options	Communication Options	Auto Time Test	Set the Hour			*02:00AM	Section 8.6.1	
			Set the Minutes					
			Select AM/PM					
			Enter Interval					24 hrs, 12 hrs, *6 hrs, 4 hrs
		Phone Lines	For each phone line (1 & 2) select:					
			Dialing Prefix		Up to 9 digits	*none		
			# of Answer Rings		Range: 00-15	*06		
			Select Dialing Option		*TT			
					TT/PL			
					PULSE			
			Rotary Pulse Format		*U = 60/40			
					E = 66/34			
			Dial Tone Disabled		Y or *N			
			Monitor Line		Y or *N			
		Answering Machine Bypass		Y or *N				
		Phone Line Unused		Y or *N				
		Edit Ethernet	IP Address					
Subnet Mask								
Default Gateway								
DHCP Enable								

Table 7.4 Programming Quick Reference List (Continued)

Menu		Options/Defaults				Reference		
System Options con't	Communication Options	AlarmNet Timers	Ethernet Supervise		75 sec, 90 Sec, 3 min, 5 min, 1 hr, 24 hrs, 30 days, None	*5 Minutes	Section 8.6.1	
			Old Alarm Time		10 min, 15 min, 30 Minutes, 1 hr, 2 hrs, 4 hrs, 8 hrs, 12 hrs, 24hrs, none	*30 Minutes		
		Phone Line Gains	Dialing	High				*High
				Low				
			Reporting	Normal				
				Low		*Low		
	Normal							
	High							
	Daytime/Nighttime Sensitivity	Enable/Disable	Yes			*No	Section 8.11	
		No						
		Day Start	Enter time			*6:00AM		
		Night Start	Enter time			*6:00PM		
	Days of the Week		Select days			*-MTWTF-		
	Holiday Days	Holidays 1 to 18	Enter dates			*01/01, 07/04, 12/24, 12/25	Section 8.6.5	
	Time Options	Water Flow Delay	0 - 90 Seconds	*1 sec	Water Flow delay is the number of seconds before a water flow alarm is generated.		Section 8.6.4	
			Alarm Verify	60 to 250 seconds	*60 sec			
		Low AC Report Time	0 - 30 hours	*3 hrs				
		AC Frequency	50 Hz		*60Hz			
			60 Hz					
		Internal						
		Clock Display Format	AM/PM		*AM/PM			
	MIL							
	Auto-resound	4 hours		*24 hours				
		24 hours						
	Miscellaneous Options	SYNC Strobes when Silenced	Y		*N			
			N					
		Auto Display Events	Y		*N			
	N							
Daylight Saving Options	Auto Daylight Saving Time	Y		*Y				
	DST Start	Select week: 1st, 2nd, 3rd, 4th or Last		Select month				
	DST End							
Edit Banner	Refer to Appendix B			Section 8.6.7				
SLC Family	Triga			Section 8.6.8				
JumpStart	Y (Yes)					Section 8.7		
AutoPrg	N (No)							
Restore Defaults	Y (Yes)					Section 8.8		
	N (No)							

*Default Setting

Table 7.4 Programming Quick Reference List (Continued)

- 1 Available with Triga SLC devices.
- 2 Available on Internal SLC.
- 3 Requires wireless gateway.
- 4 AUX SYNC setting is only applicable for the TR-B200S Intelligent Sounder Base.
- 5 Only applicable for TR-RPS1.

Section 8: Programming

This section of the manual describes how to manually program the control panel from the built-in annunciator. Each subsection describes these menu options. All options described in this section can be performed using the HFSS Software Suite.



NOTE: JumpStart auto-programming should be run Before any customized programming is performed. Thoroughly test the system after running JumpStart because it automatically programs the system, searching for and configuring all SLC and SBUS devices it finds. JumpStart allows you to confirm the integrity of the installation prior to performing any custom programming. After determining that the hardware is properly installed, custom programming can be performed.

8.1 UL 864 Programming Requirements

NOTICE TO USERS, INSTALLERS, AUTHORITIES HAVING JURISDICTION, AND OTHER INVOLVED PARTIES:				
This product incorporates field programmable software. In order for the product to comply with the requirements in the Standard for Control Units and Accessories for Fire Alarm Systems, UL 864, certain programming features or options must be limited to specific values or not used at all as indicated below.				
Programming Option	Menu Item	Permitted in UL 864 (Y/N)	Possible Settings	Settings Permitted in UL 864
Time Options	Auto-Resound	Yes	4 or 24 hours	4 hours if you use SWIFT devices. 24 hours if you use other devices
Time Options	Low AC Report Delay	Yes	0-30 hours	1-3 hours
Communication Options	Auto Test Time	Yes	4, 6, 12, and 24 hrs	4 or 6 hours
Silencing Options	Auto Silence	Yes	0-60 minutes	3-60 minutes
Display Oldest Event	Y (Enabled)	Yes	Yes or No	Yes
	N (Disabled)	No	Yes or No	No
Alarm Verification ¹	Alarm Verification	Yes	60-250 seconds (confirmation period)	0-60 seconds
Manual Release Switch ²	Manual Release	Yes	0-120 Seconds (delay period)	0-30 Seconds (delay period)

Table 8.1 Programming Requirements

¹ When the 2-count delay is active, you cannot use the Alarm Verification.

² The Manual Release Switch shall override any pre-discharge delays resulting in an immediate release or start of the Manual Release Delay period. The delay period shall be 30 seconds or less from the activation of the switch to the actuation of the releasing device(s).



NOTE: Use software version 7.0 or higher.

8.2 Modules

This section lists the options available under the Module Option in the Program Menu. The types of modules available for the control panel are the TR-RD1G/R or TR-RD2G/R LCD Annunciator, TR-5824 Serial/Parallel input/output, TR-5880 LED Input/Output module, TR-RPS1 Power supply, TR-NIC Network Interface Card, and TR-5865 LED Annunciator.

8.2.1 Edit Modules

The features you can edit when this option is selected are Module Name and Class of Wiring (Class A or Class B). To edit an existing module, follow these steps:

1. Login to the panel.
2. Select 7 to access the Program Menu.
3. Press 1 to access the Module Menu.
4. Press 1 to edit a module.
5. Use the up or down arrow to select the module you want to edit.

Editing Module ID

6. Press the up or down arrow key to modify the Module ID.



NOTE: You cannot edit the module ID for any internal devices or the TR-NIC.

Naming Modules

You can assign an English name to a hardware module to easily identify it on a display.

7. To edit a module name, press the up or down arrow to select each character for the modules name (or press the right arrow to bypass the name edit). Press the right arrow to move to the next character.



NOTE: See Appendix A for instructions on how to edit the names.

Default name for 5880 module
(no customization)

```
5880-LED I/O
Module ID: 03
5880 03_____
<Module Name>
```

Use arrow keys to select characters.
Letters begin displaying with "A". Press
the ENTER key to select the desired
character. Use the right arrow to move
to the next character.

```
5880-LED I/O
AB_____
```

Figure 8.1 Edit Module Name Programming Screen Example

Changing Module Options

Each module has a unique set of options that specifically applies to the functionality of the module being edited.

8. Use the left and right arrow keys to move between available options.
9. To edit Option settings, press the up or down arrow.

8.2.2 Adding Modules

You must access the Main Menu to perform this task. If necessary, enter the installer code. If you need to add a new hardware module to the system, follow the steps below.

1. Login to the panel.
2. Select 7 to access the Program Menu.
3. Press 1 to enter the Module Menu.
4. Press 2 to add a module.
5. From the next screen, use the up or down arrow to choose a module type to add from the <New Module Type> screen.

The screen will display “**Adding module [#]...**” for a few moments. You will be returned to the <New Module Type> screen where you can select another module if desired.

Save the changes when you exit the Program Menu or the system will not add the new module.



NOTE: If you add a module that has not been physically connected, the panel will go into trouble after it reinitializes (when you exit the Program Menu). When the new module is attached, the trouble will automatically correct itself.

8.2.3 Deleting Modules

To delete a module, follow these steps.

1. Login to the panel.
2. Select 7 to access the Program Menu.
3. Press 1 to enter the Module Menu.
4. Press 3 to delete a module.
5. From the next screen, select a module to delete. A warning screen will display.
6. If you want to proceed and delete the module, select Yes. To cancel, select No.

8.2.4 View Module List

1. Login to the panel.
2. Select 7 to access the Program Menu.
3. Press 1 to enter the Module Menu.
4. Press 4 to view the Module List.

8.3 Zone

Use the Zone option in the Program Menu to edit, add, delete, and view zone points. The selections you make affect all detectors and switches in the zone. Up to 125 zones can be used in the system.

8.3.1 Edit Zone

At the Edit Zone option, you can edit:

- zone name
- zone properties (zone type and detector sensitivity)
- zone accessory options

To edit a zone, follow these steps:

1. Login to the panel.
2. Select 7 to access the Program Menu.

3. Press 2 to enter the Zone Menu.
4. Press 1 to edit a zone.
5. Enter the Zone Number, then press ENTER.

Edit Zone Name

6. To edit the Zone Name, press 1.
- You can enter a description to display a descriptive name for the a zone.



NOTE: See Appendix A for information to edit names.

Edit Zone Properties

Zone properties consist of alarm delay characteristics and heat detector sensitivity.

1. Login to the panel.
2. Select 7 to access the Program Menu.
3. Press 2 to enter the Zone Menu.
4. Press 1 to edit a zone.
5. Enter the Zone Number, then press ENTER.
6. Press 2 to edit the properties of the selected zone.

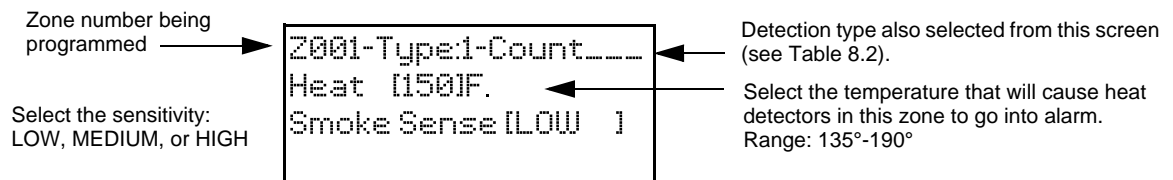


Figure 8.2 Edit Zone Properties

■ Alarm Delay Characteristics

The programmed zone type is provided for user reference only. To modify the zone type, use the HFSS Software Suite.

Table 8.2 lists the delay choices and a description of each type. Then, press ENTER.

Type of Delay	Description
1-Count ¹	One Count (No Delay). When this option is enabled, an alarm occurs immediately when a single device of any of the following types goes into alarm: detector, manual pull, water flow, Aux1 or Aux2. This is considered the most typical operation and is the default for all zones.
2-Count	When this type of alarm delay is used, two or more detectors within the zone must go into alarm in order for the zone to report an alarm. Switches of type manual pull, Detector switches, water flow, Aux1 and Aux2 are an exception; they will cause an alarm when only one switch is in alarm. When a single detector is in alarm in a 2-Count zone, the system enters a pre-alarm condition. In a pre-alarm condition, the touchpad PZT beeps and the annunciator display indicates that a pre-alarm has occurred. If the zone has been mapped to an output group for the pre-alarm event, the output group will activate. The pre-alarm will not be reported to the central station. When two count is used detector spacing shall be cut in half. You should not use the alarm verification feature, and no delay shall be used.
Alarm Verification	Alarm verification is an optional false alarm prevention feature that verifies an alarm condition by resetting the smoke detector. If the alarm condition still exists by the time the reset cycle has completed, the detector will go into alarm. If the detector is no longer in alarm, no report will access the central station. The alarm verification sequence is ignored if the zone is already in alarm.
PAS-Positive Alarm Sequence ²	This option is intended to be used with an acknowledge switch. An alarm is delayed for 15 seconds, giving on-site personnel a chance to investigate the alarm. If the acknowledge switch is not activated within 15 seconds, an alarm occurs automatically. If this option is enabled for a zone, the zone will respond to an alarm condition as follows: <ul style="list-style-type: none"> ✓ The zone will not go into alarm for 15 seconds to allow an on-site operator to activate the acknowledge switch. ✓ If the operator does not press the acknowledge switch within 15 seconds, the zone will go into alarm. ✓ If the operator presses the acknowledge switch within 15 seconds, a 180-second time-frame will begin counting down. This time-frame allows the operator to investigate the cause of the alarm. ✓ If the operator performs a reset within 180 seconds, the alarm will not occur. ✓ If the operator does not perform a reset within 180 seconds, an alarm will occur automatically. ✓ The P.A.S. feature will be overridden if another alarm occurs.

Table 8.2 Alarm Delay Types

Type of Delay	Description
Alternate P.A.S. - Positive Alarm Sequence ²	<p>An improved version of PAS is available with software version 6.04 or higher, for use with the TR-RD2G and TR-RD2R only. Existing systems with PAS enabled will still function normally.</p> <p>The PAS option will program an automatic, addressable detector to delay panel activation (including alarm relay and communicator) for a period of 15 seconds plus a delay time of up to three minutes. When a detector triggers an alarm, the onboard piezo sounds immediately, but the mapped output groups (e.g. NACs, control/relay modules) are prevented from activating for 15 seconds. This inhibit time is factory set and cannot be changed.</p> <p>Pressing the ACK key during the 15 second inhibit time will start a timer which prevents activation of the mapped output groups for an additional time duration for up to three minutes and display a countdown for the three minute delay. After the delay, the mapped output groups will activate if the source of the alarm is not cleared. If a second alarm occurs during either time delay, the alarm will be processed immediately, causing activation of the appropriate output groups.</p> <p>If PAS is enabled,</p> <ul style="list-style-type: none"> ✓ the onboard piezo sounds immediately. ✓ the control panel LCD display will indicate a PAS-alarm event and the active point. ✓ output groups (NACs and control/relay modules) of associated zones will be inhibited from activating for a factory-set duration of 15 seconds. ✓ pressing the ACK key will start a timer which inhibits output activation for additional time delay of up to three minutes. ✓ a second alarm occurring at any time during either time delay will cause immediate activation of all associated outputs.
SNGL ILOCK	See Section 9.6.1 for information on the single interlock releasing operation.
DBL ILOCK	See Section 9.6.2 for information on the double interlock releasing operation.

Table 8.2 Alarm Delay Types (Continued)

- The TR-FIRE-CO and other CO detectors can only be installed in a 1 count zone. They will operate as a 1- count point regardless of the programmed zone type (i.e. Alarm Verification, 2 count, etc.).
- PAS operation requires the approval of the local Authority Having Jurisdiction. Alarm Verification, two-count, single interlock releasing, and double interlock releasing cannot be used while PAS is enabled.

■ Heat Detector Sensitivity

Use this feature to set the temperature at which high temperature detectors will respond. All detectors in the zone will respond in the same way.

The range for the TR-HEAT-HT heat detector is from 135°F to 190°F.

The TR-HEAT-HT heat detectors are absolute temperature devices. This means that they respond to an alarm immediately if the temperature in the zone goes above the programmed temperature.

- Enter the temperature at which the heat detector will respond. Or use the up or down arrow keys to scroll through the range.
- Then press ENTER.

■ Smoke Detector Sensitivity

All detectors in the zone will respond as programmed in this Menu location.



NOTE: Drift compensation is automatic for all smoke detectors (photoelectric and ionization). The feature is always in effect, no programming is required. See Section 9.3.11 for information about how to check if a detector is in UL compliance.

Type of Smoke Detector	Choices	Comments
TR-PHOTO and TR-PHOTO-T	Low (3.5% obscurity)	If the day/night sensitivity option is selected, you can have different sensitivity settings during the day and at night. You can program the days of the week that Day/Night Sensitivity will automatically adjust. You can also designate specific days as holidays. Holiday and weekend days use night sensitivity for the entire day.
	Medium (2.5% obscurity)	
	High (1.5% obscurity) (Default)	
DNR with TR-PHOTO or TR-PHOTO-R	Low (2.5% obscurity)	
	Medium (2.0% obscurity)	
	High (1.5% obscurity) (Default)	

Table 8.3 Detector Sensitivity Choices

- Detectors are suitable for Open Area Protection within the listed air velocity range. Typically, this range is 0 - 4,000 ft/min for photoelectric detectors and 0 - 1,200 ft/min for ionization detectors. Be sure to confirm this range before installing the detector by referring to the Manufacturer's Installation Instructions.
- Detectors will default to Open Area Protection (High Sensitivity). Where applicable, detectors will only be compliant with UL 268 7th Edition if they remain programmed to open area.
- The alarm and threshold limits determined by the control unit interconnected to detectors that employ a special application mode/configuration are designed and shipped from the factory with the Detector Sensitivity Setting set to an acceptable Open Area Protection sensitivity being the default mode of operation.
The special application mode/configuration shall not be activated at the control unit without a deliberate action by the user to initiate the special application mode through an alternate detector sensitivity selection setting. Additionally, the extended label should be modified at this address to include the phrase 'SPECIAL APPLICATIONS' or 'SPECIAL APPS' for compliance with UL 864 requirements. Please refer to the FACP Programming/Installation Instructions for further instructions on altering the extended labels.



NOTE: Automatic drift compensation is always in effect for all detectors. See Section 9.3.11 for information on the procedure to check if a detector is in compliance.

- Use the up or down arrow key to scroll through the range or use the number keys on the annunciator, then press ENTER.

Zone Accessory Options

- Login to the panel.
- Select 7 to access the Program Menu.
- Press 2 to enter the Zone Menu.
- Press 1 to edit a zone.
- Enter the Zone Number, then press ENTER.
- Press 3 to edit the Zone's Accessory options.

Single or Multi-Station cadence pattern (choose from Patterns 00 to 02, 23. See Appendix C, "Cadence Patterns", on page 115.

CO Single and Multi-station Cadence (choose from Cadence Patterns 00 to 02, 23).



NOTE: The TR-B200S Intelligent Sounder base provides the recommended CO cadence pattern

- For Local Zone, (choose Y or N, for Yes or No),

8.3.2 View Zone Points

To view the points in a zone, follow these steps:

- Login to the panel. The panel will automatically access the main menu.
- Select 7 to access the panel programming.
- Press 2 to enter the zone menu.
- Press 2 to view the zone points.
- Enter the number of the zone you want to view, then press ENTER.

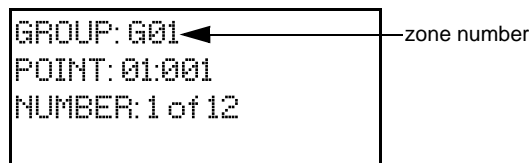


Figure 8.3 View Zone Points Screen

8.4 Group

An output group is made up of output points that have been programmed to respond in the same way. output groups simplify programming, because you do not have to program each individual point. Once you have defined the characteristics of output groups, you can assign each point to the appropriate group. Up to 125 output groups can be defined.

8.4.1 Edit Group

In the Edit Group option, you can program the name of an output group and change the properties of that group. To edit a group, follow these steps:

- Login to the panel.
- Select 7 to access the Program Menu.
- Press 3 to enter the Group Menu.
- Press 1 to edit the group.
- Enter the number of the group you want to edit, then press ENTER.

Edit Group Name

- To edit the group name, press 1.

You can use words to display a descriptive name for a group.



NOTE: See Appendix A for information to edit names.

Edit Group Properties

- To edit the group properties, press 2 from the Edit Group menu.

The Edit Group menu allows you to select the options for each group for the following items:

- Template Override: Y or N
- If you select Yes to access Template Override, the Template Override Cadence is available.

See Section 8.4.3 for more information.

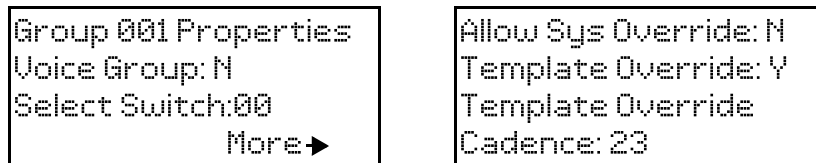


Figure 8.4 Group Properties Screen Programming Options

8.4.2 View Group Points

1. Login to the panel. The panel will automatically access the Main Menu.
2. Select 7 to access the Panel Programming.
3. Press 3 to enter the Group Menu.
4. Press 2 to view the Group Points.
5. Enter the group number, then press ENTER..

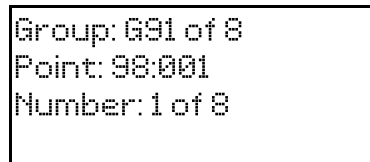


Figure 8.5 View Group Points

8.4.3 Edit Output Group Template

1. Login to the panel. The panel will automatically access the Main Menu.
2. Select 7 to access the Panel Programming.
3. Press 3 to enter the Group Menu.
4. Press 3 to edit the OPG Template.
5. Enter the Template number, then press ENTER.
6. On the Template name, press ENTER to edit the name.

You can enter a description to assign and display a descriptive name for a group.



NOTE: See Appendix A for information to edit names.

7. Press the right arrow to access the output group and select Yes or No to select which output group to include in the template.

8.5 Point

You may need to change the characteristics of the individual input points (detectors and switches) even after using JumpStart Auto-Programming. This section describes how to change the options for the following:

- point type
- latching/non-latching
- silenceable/non-silenceable
- zone assignment (input points)
- detector accessory base options
- point name
- group assignment (output points)

8.5.1 Point Programming for SLC

To program for points, follow these steps:

1. Login to the panel.
2. Select 7 to access the Program menu.
3. Press 4 to enter the Point menu.
4. Press the up or down arrows to select the desired module. Refer to Section 7.5, “Programming Menu Quick Reference” for available choices.
5. Enter the number of the desired point, then press ENTER.
6. To select the type of device, press the up or down arrows keys. Refer to Table 8.4 under the column heading “Type Selection” for a list of choices.

Type Selection	Function	Latching Option	Comments
UNUSED			

Table 8.4 Point Programming for Internal SLC Module

Type Selection	Function	Latching Option	Comments
DETECTOR	PHOTO		
	PHOTO-HEAT		
	HEAT		
	PHOT DUCT		
	2WIRE SMK		
	ACCLIMATE		
	HEAT HT		
	BEAM		
SUP DETECTOR	SUP PHOTO DUCT	Latching Non Latching	Supervisory switches can be latching or non-latching.
	SUP SMOKE PHOTO		
	SUP SMOKE ION		
	SUP HEAT		
	SUP ACCLIMATE		
	SUP HEAT HT		
	SUP SMOKE PHOTO/HEAT		
	SUP SMOKE BEAM		
CO SMOKE DETECTOR	ALRM CO/ALRM FIRE		
	SUP CO/ALRM FIRE		
	ALRM CO/SUP FIRE		
	SUP CO/SUP FIRE		
W-DETECTOR	PHOTO	Latching	Wireless photoelectric detectors
	ACCLIMATE	Non Latching	Wireless acclimate photoelectric detector
	HEAT		Wireless heat detector
W-SUP DET	Same as W-Detector	Latching Non Latching	Wireless photoelectric detectors

Table 8.4 Point Programming for Internal SLC Module (Continued)

Type Selection	Function	Latching Option	Comments
SWITCH	MAN_PULL		Use this switch type for manual pull stations. This input is always latched. The switch can clear only when an alarm is reset.
	WATERFLOW	Latching Non Latching	Use this switch type for monitoring water flow in a Sprinkler System. Switch closure will cause a sprinkler alarm. Water flow switches can be programmed as latching or non-latching. You can program a delay of up to 90 seconds to be used with a water flow switch. The delay allows for normal, brief changes in Sprinkler System water pressure. The water flow alarm will not activate unless the switch is active for the programmed delay time. Note: Waterflow delay of the FACP and the waterflow device shall not exceed 90 seconds. If a delay is used, the system begins counting down when the switch closes. If the switch opens (restores) before the timer expires, a water flow alarm is not generated. If the water flow switch remains closed after the timer expires, a water flow alarm will be generated.
	SUPERVSY	Latching Non Latching	Use this switch type for tamper monitoring of sprinklers and other fire protection devices. If a contact closes, a sprinkler supervisory event will be generated. Supervisory switches can be latching or non-latching.
	FIRE DRILL		System-level, non latching switch. This switch is an alternative way of causing a fire drill. It has the same operation as the fire drill option available from the annunciator. When the switch is activated, a fire drill begins; when the switch is de-activated, a fire drill ends.
	SILENCE		System-level switch provides an alternate way to silence the system; same effect as pressing the Silence key.
	RESET		System-level switch provides an alternate way to reset the system; same effect as pressing the Reset key.
	PAS_ACK		Positive acknowledge switch. This switch must be used in zones programmed as Positive Alarm Sequence (see Table 8.2). If an acknowledge switch closes when an alarm or trouble condition is not already in progress, a trouble will occur. You must use a UL listed normally open, momentary switch type. The switch must be rated at 5V, 100 mA (minimum) and be used with an EOL resistor for supervision.
SWITCH	ZN_AUX1	Latching	Use these switch types if you want to monitor special zone-level conditions.
		Non Latching	
	ZN_AUX2	Latching	
		Non Latching	
	SYS_AUX1	Latching	Use these switch types if you want to monitor special system-wide conditions.
		Non Latching	
	SYS_AUX2	Latching	
		Non Latching	
	DETECT SW		Used to monitor conventional 4-wire detectors, a contact closure will generate a detector alarm event.
	TAMPER	Latching	Performs identically to a supervisory switch, but will be indicated as a tamper switch on the LCD annunciator.
		Non Latching	
	MAN REL		Manual release switch, typically a pull station.
	ILOCK		Interlock release switch input.
CO DETECT SW		CO Detector Switch	
CO SUPERVISORY DETECT SW		CO Supervisory Detector Switch	
STATUS PT		Status Point Switch	
TROUBLE_MON		Use this switch type to monitor trouble from external devices. Trouble monitors are used in HVAC operations.	

Table 8.4 Point Programming for Internal SLC Module (Continued)

Type Selection	Function	Latching Option	Comments
NOTIF	OUTPUT PT	Select Group	Output Point, a general use notification type. Use for driving standard notification appliances.
	AUX CONST		Use constant power for applications that require a constant auxiliary power source. Power is always present at Constant circuits.
	AUX RESET		Use for auxiliary power, resettable applications. See "Resettable Power" on page 41 to learn how this option operates.
	AUX DOOR		Use for auxiliary power, door holder applications. For example, if you were using an auxiliary power supply for door holders, you would use this option. See "Door Holder Power" on page 41 to learn how this option operates.
RELAY	OUTPUT PT	Select Group	Output Point, a general use relay type. Use for applications requiring a relay, such as elevator recall.
	AUX RESET		Use for auxiliary power, resettable applications. See "Resettable Power" on page 41 to learn how this option operates.
	AUX DOOR		Use for auxiliary power, door holder applications. For example, if you were using an auxiliary power supply for door holders, you would use this option. See "Door Holder Power" on page 41 for a description of how this option operates.
W-Gateway			Wireless Gateway
W-SWITCH	Same as SWITCH		
W-Relay	Same as Relay		

Table 8.4 Point Programming for Internal SLC Module (Continued)

8.5.2 Point Programming for the Internal or External Power Module

To program for an internal or external power module points, follow these steps:

1. Login to the panel.
2. Select 7 to access the Program Menu.
3. Press 4 to enter the Point Menu.
4. Press the up or down arrows to select the desired module. Press ENTER. Refer to Section 7.5 for the available choices.
5. Enter the number of the circuit or point you want to edit. Refer to the table below for available selections.
6. Press ENTER.
7. To select the Type, press the up or down arrows, then, press ENTER.
8. To select the Function, press the up or down arrows, then, press ENTER.
9. To select the Group, press the up or down arrows, then, press ENTER.
10. To edit the Point Name, press the right arrow to skip Point Name Edit. See Section 8.5.
11. Repeat steps 1 through 10 for all circuits.

Choices	Type Selections	Function Selections for each Type	Comments
Enter Point or Circuit			
Select Type	UNUSED		
	NOTIF OUT		
	CTRL CKT		
	AUX PWR	CONSTANT	Constant auxiliary power.
		RESETTABLE	Resettable auxiliary power.
		DOOR	Door holder auxiliary power.
		AUX SYNC	Sounder Sync auxiliary power for System Sensor
	B SWITCH*	MAN PULL	Refer to comments column of Table 8.4 for description of these options Latch or Non-latching feature only appears for waterflow, supervisory, tamper, zone aux1, zone aux2, system aux1, and system aux2
		WATERFLOW	
		SUPERVSY	
		TAMPER	
		FIRE DRILL	
		SILENCE	
		RESET	
		PAS_ACK	
		ZN_AUX1	
		ZN_AUX2	
		SYS_AUX1	
		SYS_AUX2	
		MAN REL	
	ILOCK		
		STATUS POINT	Non-latching - Used to activate an ancillary output group that does not active alarm, sound PZT, display status or report events. Reset has no affect on this point
	A SWITCH*	Same as B SWITCH	
B DETECTOR*	2-WIRE SMOKE	Used for Class B, 2-wire detectors.	
	4-WIRE SMOKE	Used for Class B, 4-wire detectors.	
	CO 4-WIRE DET	Used for Class B, 4-wire CO detectors.	
	CO 4-WIRE SUP DET	Latching or Non-latching used for Class B, 4-wire CO Supervisory detectors	
A DETECTOR*	2-WIRE SMOKE	Used for Class A, 2-wire detectors.	
	4-WIRE SMOKE	Used for Class A, 4-wire detectors.	
	CO 4-WIRE DET	Used for Class A, 4-wire CO detectors.	
	CO 4-WIRE SUP DET	Latching or Non-latching used for Class A, 4-wire CO Supervisory detectors	
Select Group			Group or Zone selection will appear depending on the type selected
Edit Name			Edit name. See Section 8.5.3
*Only applicable to the TR-RPS1			

Table 8.5 Menu choices for Internal/External Power Modules

8.5.3 Point Programming for TR-5880 and TR-5865 Modules

To program for the TR-5880 or TR-5865 module points, follow these steps:

1. Login to the panel.
2. Select 7 to access the Program Menu.
3. Press 4 to enter the Point Menu.
4. Press the up or down arrows to select the desired module. Refer to Section 7.5 for available choices. Press ENTER.

5. Enter the Point Number, then press ENTER.

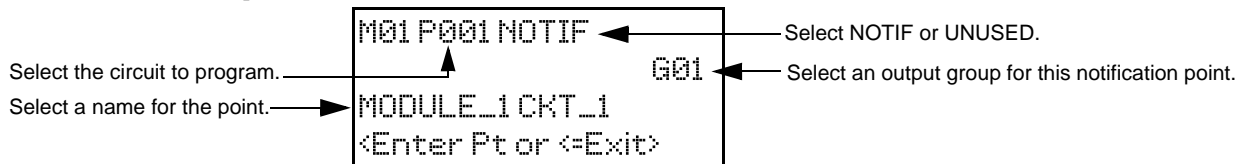


Figure 8.6 Programming Output Points Screen for TR-5880 and TR-5865 Modules

6. Press the up or down arrows to select the type (Notification or unused). Press ENTER.
7. Press the up or down arrows to select the desired Group, then press ENTER.
8. Edit the module name. (See Section 8.5.) Or, press the right arrow to skip the module name edit.
9. Repeat steps 1 through 8 for all points.

To program TR-5880 or TR-5865 module input points:

10. To use the TR-5880 as an input point, Enter point number 41 - 48. Then press ENTER.
11. Press the up or down arrow key to select type (switch or unused), and press ENTER.
12. Press the up or down arrow key to select the desired function and press ENTER.
13. If the point supports latching press the up or down arrow key to select latching or non-latching, and press ENTER.
14. Press the up or down arrow key to select the desired group/zone, and press ENTER.
15. Edit the point name or press the right arrow key to skip the Module Name Edit.
16. Repeat steps 10 through 15 for all input points.

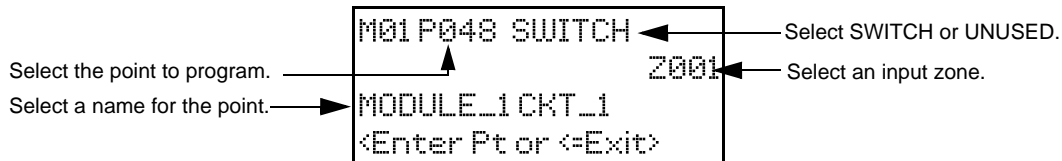


Figure 8.7 Programming Input Points Screen for TR-5880 or TR-5865 Modules

8.6 System Options

This section of the manual explains how to customize software options that affect general operation of the system. This includes:

- Communication Options
- Daytime/Nighttime Sensitivity
- Holiday Schedule
- Telephone and Reporting Account options

Refer to each individual subsection for the complete instructions.

8.6.1 Communication Options

Auto Test Time

To access the Auto Test Time screen:

1. Login to the panel.
2. Select 7 to access the Program Menu.
3. Select 5 to access System Options.
4. From the next Menu, select 1 to access Communication Options.
5. Select 1 to access Auto Test Time.
6. Enter the hour you want the control panel to send an Automatic Test Report (or press the up or down arrow key), then press ENTER.
7. Enter the minutes (or press the up or down arrow key), then press ENTER.
8. Select AM or PM by pressing the up or down arrow key, then press ENTER.
9. To select the Report Time Interval, press the up or down arrow key. Then, press ENTER. Time Interval selections are the following:
 - 24 hour
 - 12 hour
 - 6 hour
 - 4 hour



NOTE: AM and PM are only available if the panel "Clock Options" are set to AMPM mode. Otherwise, the clock is set in the military time and you cannot select AMPM.

Phone Lines

To access the Phone Lines screen:

1. Login to the panel.
2. Select 7 to access the Program Menu.

3. From the Program Menu, select 5 to access System Options.
4. Select 1 to access Communication Options.
5. Select 2 to access the Phone Lines menu.
6. Select the phone line to be edited (1 or 2) by pressing the up or down arrow, then press ENTER.

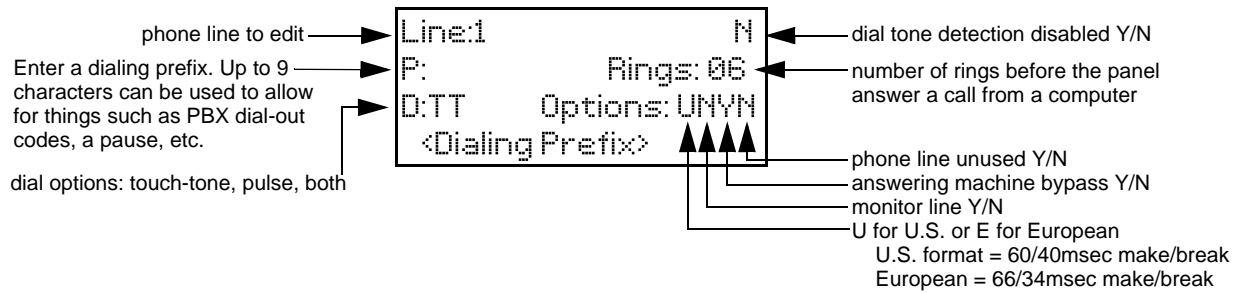


Figure 8.8 Phone Lines Editing Screen

■ Dialing Prefix

Enter up to 9 characters to be used for such things as PBX dial-out codes, a pause, etc. The following special characters are available:

#	Pound (or number) key on the telephone
*	Star key on the telephone
,	Comma (character for 2-second pause)

Use the number buttons on the annunciator or the up/down arrow keys to select special characters. Characters begin displaying after “9”. Enter a dialing prefix (if needed), then press ENTER. Or, press the right arrow to bypass the dialing prefix option.

■ Number of Answer Rings

This option is used in conjunction with the HFSS Software Suite. Use the option to determine the number of rings before the panel answers a call from the computer. The range is 00-15 rings. This option is factory-programmed as 06 rings, which should be compatible for most installations, where the answering machine bypass feature is used. You may need to adjust it depending on the installation’s telephone system.

The selections you enter must match the programming for this option in the Communication Configuration dialog box of the HFSS Software Suite.

7. Enter the desired number of answer rings, then press ENTER.

■ Dial Option (Touch-tone or Pulse)

8. Press the up or down arrow keys to select the Dial Option, then press ENTER.

Dial Option	Description
PULSE	If this option is selected, only pulse dialing will be used for this phone line.
TT	Touch-tone dialing. If this option is selected, only touch-tone dialing will be used for this phone line.
TT/PL	Touch-tone alternating with pulse. If this option is selected, the communicator will first attempt to use touch-tone. It will switch to pulse if touch-tone is not successful on the first attempt. It will continue to alternate between TT and pulse for additional attempts.

Table 8.6 Dial Options

■ Dial Format

9. Press the up or down arrow keys to select the pulse ratio to access the Rotary Dialing option, then press ENTER.
The options are as follows:

- U U.S. standard format. Uses the 60 msec / 40 msec make/break ratio.
- E European format. Uses the 66 msec / 34 msec make/break ratio.

■ Dial Tone Detection Disabled

10. Select Y (do disable) or N (do not disable) by pressing the up or down arrow key, then press ENTER.

■ Monitor Line

Enable the line monitor for each phone line that will be used. See Figure 8.8 for the location of this field on the phone lines screen. When the phone line monitor has been enabled for a phone line, a trouble condition will occur if the line is not connected. If a phone line will not be used, it must be disabled.

11. Select Y (monitor line) or N (do not monitor line) by pressing the up or down arrow key, then press ENTER.

■ Answering Machine Bypass

This option is used in conjunction with the HFSS Software Suite. This feature ensures that an answering machine will not interfere with communication between the panel and the computer. If an answering machine is used at the panel site, enable this feature; if an answering machine is not used, disable the feature.

This option is factory-programmed as Yes (enabled).

The selection made here must match the programming for this option in the Communication Configuration dialog box of HFSS.

Select Y (answering machine bypass enabled) or N (answering machine bypass disabled) by pressing the up or down arrow, then press ENTER.

■ Phone Line Unused

This option is used so that you can set unused phones lines to “Yes”, so no auto-test will be sent through that line.

This option is factory programmed as No.

12. Select Y or N by pressing the up or down arrow key, then press ENTER.

Edit Ethernet

1. Login to the panel. The panel will automatically access the main menu.
2. Select 7 to access Panel Programming.
3. Select 5 to access System Options.
4. From the next menu, select 1 to access Communication Options.
5. Select 3 to access Edit Ethernet.

<pre>MAC:0000.0020.6894 MAC CRC:01E2 IP:158.100.049.148 <IP Address> More➔</pre>	<pre>Sub:255.255.252.000 GW:158.100.048.254 DHCP:Y <DHCP enable></pre>
--	--

Figure 8.9 Edit Ethernet Message

AlarmNet Timers

1. Login to the panel. The panel will automatically access the main menu.
2. Select 7 to access Panel Programming.
3. Select 5 to access System Options.
4. From the next menu, select 1 to access Communication Options.
5. Select 4 to access the AlarmNet Timers.
6. The available options for AlarmNet Timers are as follows:
 - Ethernet: 5 minutes (default), 3 minutes, 90 seconds, 75 seconds, none, 30 days, 24 hours, 1 hour.
 - Cellular: 24 hours (default), none, 30 days
 - Old Alarm: 30 minutes (default), 15 minutes, 10 minutes, none, 24 hours, 12 hours, 6 hours, 4 hours, 2 hours, 1 hour

```
Ethernet: 5 Minutes_
Cellular: 24 Hours_
Old Alarm: 30 Minutes_
<Ethernet Supervise>
```

Figure 8.10 AlarmNet Timers

Phone Line Gains

1. Login to the panel. The panel will automatically access the main menu.
2. Select 7 to access Panel Programming.
3. Select 5 to access System Options.
4. From the next menu, select 1 to access Communication Options.
5. Select 5 to access Phone Line Gains.
6. The available options are listed as follows:
 - Dialing: Low, High (default), Normal

- Reporting: Low (default), High, Normal

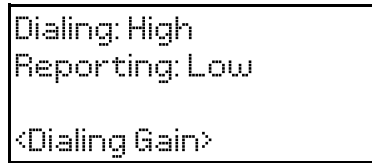


Figure 8.11 Phone Line Gains

8.6.2 Daytime/Nighttime Sensitivity

If you need to change the time that sensitivity levels take effect (that is, the time that “Day” and “Night” begin), follow these steps.

1. Login to the panel.
2. Select 7 to access the program menu.
3. Select 5 to access System Options.
4. From the System Options menu, select 2 for Day/Night Sense.

A screen similar to the one shown below will display.

In this example, daytime sensitivity levels will be observed between 6:00AM and 6:00PM Monday through Friday. Night-time sensitivity levels will be observed between 6:00PM and 6:00AM Monday through Friday and all day on Saturday and Sunday.



Enable day/night. If disabled, day sensitivity is in effect at all times.

Day start time

Night start time

Sensitivity levels are programmed in the zones menu.

Figure 8.12 Changing Day/Night Sensitivity Time

8.6.3 Holiday Days

Up to 18 dates can be designated as holidays. When day/night sensitivity is enabled, all photoelectric smoke detectors in the system will use night sensitivity for the entire day on days designated as holidays.

To add or change a holiday, follow these steps.

1. Login to the panel.
2. Select 7 to access the program menu.
3. Select 5 to access System Options.
4. Select 3 to select Holiday Days.
5. Select the holiday schedules you want to edit (1- holidays 1 - 9, 2- holidays 10 - 18).

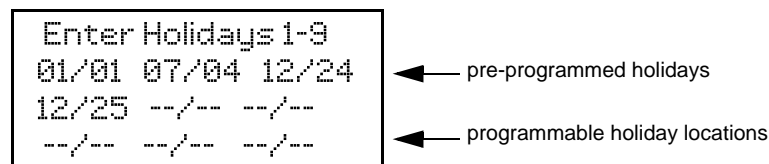


Figure 8.13 Edit Holidays Screen

6. Enter the month of the holiday, then press ENTER.
7. Enter the day of the month for the holiday, then press ENTER.
8. Repeat steps 6 and 7 to add any remaining desired holidays.

8.6.4 Time Options

Use this programming option to set the following:

- water flow delay time
- low AC report delay
- clock format
- enable or disable automatic daylight savings time adjustment
- AC clock frequency

Waterflow Delay

You can program a delay of 0-90 seconds (zero means no delay) to be used in conjunction with a waterflow switch. The delay is system-wide. All waterflow switches on the system will use the same delay period.

To access the screen for programming water flow delay, follow these steps:

1. Login to the panel.
2. Select 7 to access the program menu.

3. Select 5 to access System Options.
4. Select 4 to access Time Options.

A screen similar to the one shown below will display.

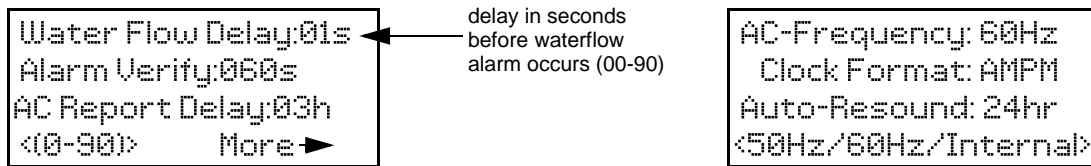


Figure 8.14 Water Flow Delay Programming Screen

5. Enter the number of seconds (0 to 90) to delay a waterflow switch alarm, then press ENTER.

Alarm Verify

You can set the alarm verification time from 60 to 250 seconds (default is 60 seconds).



NOTE: For UL installations, the Alarm Verification Time cannot be less than 60 seconds.

To set the alarm verification:

6. Enter the desired number of seconds for the alarm verification time.
7. Press the right arrow or press ENTER to make your selection and move the cursor to the next programming option.

AC Report Delay



NOTE: You must select 1-3 hours in UL central station installations and UL remote signaling installations.

You can adjust the number of hours before a low AC report will be sent to the central station.

To program a low AC report delay, follow these steps:

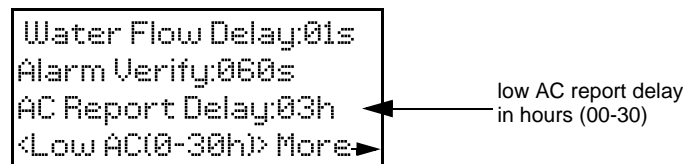


Figure 8.15 Low AC Report Delay Programming Screen

8. Enter the number of hours before a low AC report will be sent to the central station, then press ENTER.

AC Line Frequency

The panel's AC line frequency is selectable for 50 or 60 Hz or Internal. The AC Frequency feature dictates how the control panel will calculate time based on the AC line frequency used in the installation site. The "Internal" option can be used in areas where the AC line frequency is not dependable and you want the panel to calculate time from the internal crystal. The internal crystal is not as accurate as the AC power source and internal 60 Hz or 50 Hz should normally be selected. The panel defaults to the 60 Hz selection. To change the AC line frequency, continue programming from steps above:

9. Select 50 Hz, 60 Hz or Intl, by pressing the up or down arrow key. Then, press ENTER.

Clock Display Format (AM/PM or Military)

To change the system clock display format, continue programming from step 8 above:

10. Select AMPM (for AM/PM display format) or MIL (for military or 24 hr display format) by pressing the up or down arrow, then press ENTER.

Auto-Resound (4 or 24 hours)

The system resound time period can be modified from the default value 24 hours to 4 hours. This setting adjusts when the FACP will automatically resound events after being silenced. Set this option to 4 hours when using SWIFT devices.

8.6.5 Miscellaneous Options

Through this programming option, you can turn on or off strobe synchronization during silence, display status at Idle (auto display event), report by zone or point, and single key acknowledge.

To edit miscellaneous options:

1. Login to the panel.
2. Select 7 to access the program menu.
3. Select 5 to access System Options.
4. Select 5 to access Miscellaneous Options.

Strobes Active when Silenced

When “SYNC Strobe” is selected as Y (Yes), the strobes will continue to flash when the system is silenced and will stop flashing when the system is reset.



NOTE: “SYNC Strobe” only functions with outputs that use a synchronized output pattern.

5. Press the up or down arrow key to toggle this selection between Y (Yes) or N (No).
6. Press right arrow key or ENTER to make your selection and move to the next programming option.

Auto Display Events

When this feature is programmed Y (Yes), the highest priority event of the system in control will automatically display on the control panel and remote annunciators after there has been no activity on any system touch pad for two minutes.

7. Press the up or down arrow key to toggle this selection between Y (Yes) or N (No).
8. Press right arrow key or ENTER to make your selection and move to the next programming option.

8.6.6 Daylight Saving Options

To edit daylight savings:

1. Login to the panel.
2. Select 7 to access the program menu.
3. Select 5 to access System Options.
4. Select 6 for Daylight Savings.

Automatic Daylight Saving Adjustment

The control panel has an automatic DST (Daylight Saving Time) adjustment feature. If this feature is not enabled (set to *No*), the Daylight Saving Time change is not made to the system clock.

To enable or disable DST adjustment, continue programming:

5. Select Y (enabled) or N (disabled) by pressing the up or down arrow, then press ENTER.

Daylight Saving Time Start and End

This option allows you to adjust the week and month Daylight Saving Time (DST) starts and ends. For this feature to work, you must enable (set to *Yes*) the Automatic Daylight Savings Adjustment option under Daylight Savings Options. The default values for the DST Start and End are:

DST Start: The second Sunday in March

DST End: The first Sunday in November

To set the start and end for Daylight Saving Time, refer the following steps:

1. Press the up or down arrow key to select the week (1st, 2nd, etc.) Daylight Saving Time starts.
Then, press ENTER to make your selection and move the cursor to the month setting.
2. Press the up or down arrow key to select the month (January – December) Daylight Saving Time starts.
Then, press ENTER to make your selection and move the cursor to the DST End option.
3. Press the up or down arrow key to select the week (1st, 2nd, etc.) Daylight Saving Time ends.
Then, press ENTER to make your selection and move the cursor to the month setting.
4. Press the up or down arrow key to select the month (January – December) Daylight Saving Time ends.
Then, press ENTER two times to make your selection and exit.

8.6.7 Edit Banner

The banner is the message that displays on the panel LCD when the system is normal. For example, a system is normal when no alarms or troubles exist and no one is currently using the system menus. You can create a custom message, which can be up to 40 characters, two lines of 20 characters each. If you do not create a custom message, the system will use the internal banner. You cannot change the internal banner. To customize the banner display message, do the following.

1. Login to the panel.
2. Select 7 to access the program menu.
3. Select 5 to access System Options.
4. Select 7 for Edit Banner.



NOTE: See Appendix A for instructions on how to edit the banner.

5. To select each character of a word, press the up or down arrow. Then, press the right arrow key to move to the next character.
6. After you enter the word or the sentence, press ENTER to move the cursor to line two of the custom banner.

8.6.8 SLC Family

The TR-75 supports SLC devices.

1. Login to the panel.

2. Select 7 to access the program menu.
3. Select 5 to access System Options.
4. Select 8 for SLC Family. The type, “Triga” displays.

8.7 JumpStart Auto-Programming

The FACP supports an incremental JumpStart. For example, after the initial JumpStart and customization, if you add more devices and perform JumpStart again, the additional devices are added. You will not lose any of your previous custom programming.

To run JumpStart auto-programming:

1. Login to the panel.
2. Select 7 to access the program menu.
3. Select 6 to access JumpStart Auto-Programming.
4. From the Warning screen, press the up or down arrow to select “Yes”.
5. Press ENTER.

8.8 Restore Defaults

This option allows you to restore the panel to its factory default settings. All programming will be lost.

1. Login to the panel.
2. Select 7 to access Panel Programming.
3. Select 7 for Restore Defaults.
4. From the Warning screen, press the up or down arrow keys to select YES. Then, press ENTER.

Section 9: System Operation

The operation of the control panel is simple. Menus guide you step-by-step through operations. This section of the manual is an overview of the Operation Menus. Please read this entire section carefully before operating the panel.

After logging in to the panel, press ENTER to view the main menu. Select the desired menu option. Enter your access code if prompted.



NOTE: See Section 6.2.5 for information on how to modify user access code profiles.

9.1 Annunciator Description

Figure 9.1 shows the annunciator that is part of the control panel board assembly.

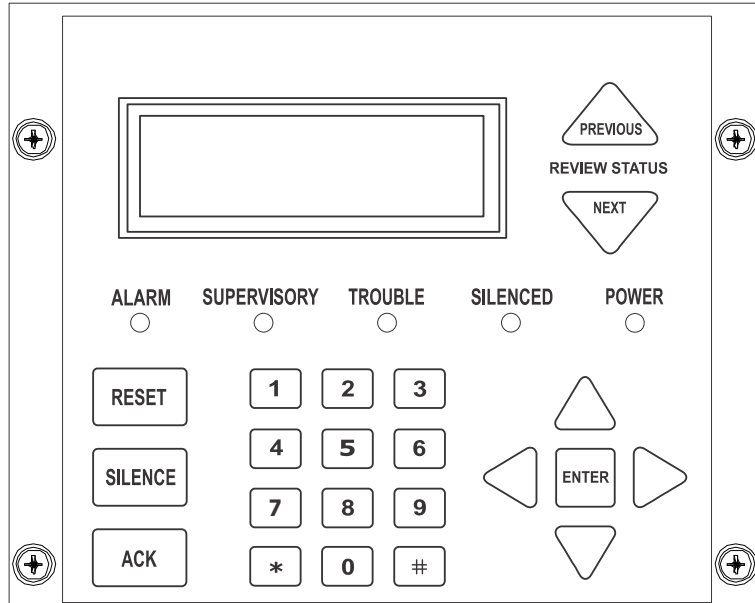


Figure 9.1 Control Panel Annunciator

9.1.1 LCD Display

The control panel LCD displays system messages, annunciates alarms, supervisories and troubles, provides status information, and prompts for input. These messages can be up to 80 characters, displaying over four lines of 20 characters each. Annunciator keys beep when they are pressed.

9.1.2 Banner

The banner is the message that displays on the control panel when the system is in normal mode (no alarm or trouble condition exists and menus are not in use). You can create a customized message that will display instead of the internal (default) message. See Section 8.6.7 for information to customize the banner.

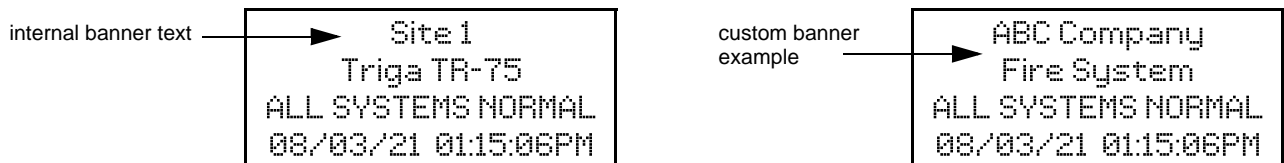


Figure 9.2 Banner Display Examples

9.2 Menu System

The control panel is easy to operate from the Main Menu. To view the Main Menu press the ENTER or right arrow key on the control panel or remote annunciator. This will bring up the panel login menu, as described in Section 9.2.1. Once validated, the user will be able to access the Main Menu as shown in Section 9.2.2. Select the desired option. You will be prompted for an access code if required.

The control panel supports up to 20 access codes. The profile for each access code (or user) can be modified through the network programming option (see Section 6.2.5 for access code programming).

9.2.1 Panel Login Menu

After pressing ENTER, and 1 for the login menu, a screen will prompt for the type of access account, Administrator or User. An administrator has the ability to modify user accounts and view the cybersecurity log. The User account has access to panel programming.

Admin Profiles

After initial power-up, the TR-75 requires a password change and user account setup before programming. Only Admin1 will be active. Using the login for Admin1, the default password (0000000) must be changed to a new, unique password. This new password must be 7-digits and cannot be sequential or easily guessed. If the password is not changed, a default password trouble will appear on the panel.

There is a maximum of two administrator profiles available. After the administrator account is set up, you must create a User account(s). Only a User account has the ability to program the control panel. There is a maximum of 18 User accounts available.

Admin accounts can:

- View cybersecurity logs with date/time stamp
- Edit name to user profiles
- Enable/disable user profiles
- Modify access codes of user profiles
- Edit access to panel functions
- Change computer access code
- Restore factory default settings to the panel

User (Installer) Profiles

There are two programming levels which will access the Programming screens. From either of the screens, access to specific system and device features or programming may be obtained. An “Installer” can program local panel data relating to device types, zoning, messages, control panel functions, etc. A “Multi-site Installer” can program panel data across a network. A user has the ability to change their administrator-assigned password after it has been assigned for the first time. Refer to Section 6.2.5 on page 53.

- Profile 1 is the profile used that dictates what functions to which the Fire Fighter Key has access. Because this is the profile used for a key, the User Name and the Access Code cannot be edited.
- Profile 2 is defaulted as “Installer” and profile 3 is defaulted to “Multi-Site Installer”. Profiles 4-18 are empty profiles available for assignment. User profiles 2-18 can be edited for name and panel functions. Table 9.1 lists the panel functions that can be selected for each user profile.

Type of Function	Selectable Functions
Panel Operations	System Reset
	System Silence
	System Ack
	Fire Drill Key
	*F1 Function Key
	*F2 Function Key
	*F3 Function Key
*F4 Function Key	
Panel Menus	System Tests
	Fire Drill Menu
	Indicator Test
	Walk Test-No Report
	Walk Test -With Report
	Communicator Test
	Clear History Buffer
	Point Functions
	Disable/Enable Point
	Point Status
	Set SLC Device Address
	SLC Single Device Locator
	SLC Multiple Device Locator
	I/O Point Control
	Event History
	Set Time & Date
	System Information
	Network Diagnostics
	Network Programming
	Panel Programming
Send/Receive Firmware Update	

*Function Keys are only available on the TR-RD2G/R LCD annunciator.

Table 9.1 User Profile Selectable Panel Functions

Invalid Password/Panel Timeout

If a password is entered incorrectly or is not a valid password, the panel will display an error message. You must hit ENTER or the left arrow key and re-enter the password correctly. After ten invalid attempts, the panel will lock for 30 seconds and then you can try again. However, if the password has been forgotten, record the 20-character code displayed on the panel and contact Technical Services. After proper authentication, the password will be supplied.

9.2.2 Main Menu Overview

Table 9.2 lists a brief overview of the main menu after you have logged in to the panel. These options are described in greater detail throughout this section of the manual.

Main Menu Options	Description
1- System Tests	Access to Fire Drill, Indicator Test, Walk Tests, Communicator Test, Clear History Buffer, Manual AlarmNet Registration, and Manual Communicator Reset.
2- Point Functions	From here you can enable / disable points.
3- Event History	Display event history on the LCD. See Section 9.3.4 for more information.
4- Set Time and Date	Set time and date for the system.
5- Network Diagnostics	Ping Panel and Data Network Status
6- Network Programming	Access Learn Network, Edit Network Names, Edit Panel ID, Computer Access, Communicator Options, and Sync Network Options.
7- Panel Programming	Brings up a set of menus for programming the panel. These options are described in detail in Section 8.
8- System Information	Menus to view information about the panel such as model, ID, serial number, revision, send or receive firmware updates, and feature registration activation.

Table 9.2 Main Menu Options

9.2.3 Using the Menus

To move through the menus:	Use up and down arrows to move through the options in a Menu. Use the left arrow key to move to a previous menu.
To select an option:	Enter the number of the option, OR press ENTER if the option appears at the top of the Menu (= symbol displays after the option number in this case).

Table 9.3 Using the Menus

9.3 Basic Operation

9.3.1 Setting Time and Date



NOTE: The panel's time is as accurate as the input AC power line frequency and may drift over time if the frequency fluctuates.

1. From the main menu, select 4 to access the Set Date and Time menu.
2. Make changes in the fields on the screen. Use the right arrow key to move through the fields. Use the up or down arrow key to make selections.
3. When the date and time are correct, press ENTER.

9.3.2 Disable / Enable a Point

1. From the main menu, select 2 for Point Functions.
2. Select 1 for Disable/Enable Point.

Disable / Enable NACs by Template

1. Press 1 to Disable NACs by Template or press 2 to Enable NACs by Template.
2. Use the up or down arrow key to move through the list of templates. Press ENTER to select the current template.

Disable / Enable NACs by Group

1. Press 3 to Disable NACs by group or press 4 to Enable NACs by group.
2. Use the up or down arrow key to move through the list of groups. Press ENTER to select the highlighted group.

Disable / Enable Zone Points

1. Press 5 to Disable Zone Points or press 6 to Enable Zone Points.
2. Use the up or down arrow key to move through the list of zones. Press ENTER to select the highlighted zone.

Disable / Enable Point

1. Press 7 to Disable/Enable Point.
2. Select the module.
3. Use the up or down arrow key to choose the point and press ENTER.
4. Press the right arrow to disable or enable the point.

Inhibit Output Group

Inhibiting an output group prevents the group from being used by system mapping. While inhibited, no event in the system can activate the output group.

1. Press 8 to Inhibit Output Group (OPG).
2. Use the up or down arrow key to select the desired group.
3. Press the right arrow key to inhibit the group.
4. Press the right arrow key again to enable the group.

9.3.3 View Event History

Use the View Event History feature to display events on LCD. From the main menu, press 3 to select the Event History. Events will begin displaying with the most recent events appearing first.

The panel can store up to 1000 events. When it reaches its 1000 event capacity, it will delete the oldest events to make room for the new events as they occur. In networked setups, each panel stores up to 1000 of its own events. When you view the Event History in the panel, the most recent (newest) 500 events from every panel in the site will be displayed. When using HFSS Software Suite, all 1000 events from every panel in the network will be uploaded.

On multi-site displays, pressing ENTER or the right arrow key brings you directly into View Event History and allows you to view the Event History from every panel in each of the sites that the multi-site display is assigned to.

Clear Event History

From the Installer Menu select 1 for System Tests. From the Test menu, select 6 Clear History Buffer. In networked systems, this clears the History Buffer of all panels in the site.

Single Key Acknowledge

This feature allows the user to press the ACK key and display the oldest unacknowledged event in the system. If you press the ACK key again, it will acknowledge the event and then display the next oldest unacknowledged event without pressing the arrow keys.



NOTE: This system has the capability to acknowledge across the ECS network.

9.3.4 Conduct a Fire Drill

1. From the Main Menu, press 1 for System Tests.
 2. Press 1 for Fire Drill. You will be prompted to press ENTER.
 3. The drill will begin immediately after you press ENTER.
 4. Press any key to end the drill. (If you do not press any key to end the fire drill manually, it will time out automatically after ten minutes).
- If a fire drill switch has been installed, activating the switch will begin the drill; deactivating the switch will end the drill.

9.3.5 Conduct an Indicator Test

The indicator test checks the annunciator LEDs, PZT, and LCD display.

1. From the main menu, press 1 for System Tests.
2. Press 2 for Indicator Test. The system turns on each LED several times, beeping the PZT as it does so. At the same time, it scrolls each available character across the LCD. A problem is indicated if any of the following occurs:
 - An LED does not turn on.
 - You do not hear a beep.
 - All four lines of the LCD are not full.

This test takes approximately 15 seconds to complete. You can press any key to manually end the test while it is still in progress. When the test ends, you will be returned to the Test menu.

9.3.6 Conduct a Walk Test

Walk Test is a feature which allows one person to test the fire alarm system. Walk Test will run for 4 hours or until the user manually exits the test. If an alarm or pre-alarm condition is occurring in the system, you will not be able to enter the Walk Test. A Walk Test may only be initiated if the test is enabled in the user profile.

1. From the main menu, press 1 for System Tests.



CAUTION: ALARM VERIFICATION

IF ANY ALARM VERIFICATION ZONES ARE BEING USED, THE USER WILL BE ASKED TO DISABLE THE ALARM VERIFICATION DURING THE WALK TEST. THIS OCCURS FOR EITHER WALK TEST OPTION.

2. Select 3 to access Walk Test-No Rpt (no reporting). Enter the time period you want the NAC circuit to be active for each alarm (06 to 180 seconds).

The LCD will display “WALK TEST STOPPED” on Line 1 and “ENTER = start test” on Line 3. By selecting this option, the Central Station reporting is disabled while the test is in progress.

OR

Select 4 to access the Walk Test-with Rpt (with reporting). Enter the time period you want the NAC circuit to be active for each alarm (06 to 180 seconds).

The LCD will display “WALK TEST STOPPED” on Line 1 and “ENTER = start test” on Line 3. By selecting this option, the Central Station reporting will occur as normal during the Walk Test.

The panel generates a TEST Report to the Central Station when the Walk Test begins.

During a Walk Test, the panel’s normal fire alarm function is completely disabled, placing the panel in a local trouble condition. All zones respond as 1-count zones (responds when a single detector is in alarm) during a Walk Test. Each alarm initiated during the Walk Test will be reported and stored in the event history buffer.

3. To end the Walk Test, access the main menu. Select 1 for System Test, then press 3 or 4. Press ENTER to end the Walk Test. The system will reset. The panel will send a “TEST RESTORE” report to the Central Station.

If you do not end the Walk Test manually within four hours, it will end automatically. If there is an alarm or pre-alarm condition in the system, you will not be able to enter the Walk Test.



NOTE: The panel does not do a full 30 second reset on resettable power outputs. As soon as the device is back to normal, the panel is ready to access the next device.

9.3.7 Conduct a Communicator Test

1. From the main menu, press 1 to access System Tests.
2. Select 5 to access Communicator Test.

The screen will display “Manual Communicator Test started”. When the test is completed, you will be returned to the Test Menu. A manual communicator test requires that at least one daily test in the network be enabled in communicator programming.

3. The manual communicator test will be communicated on both phone lines and Ethernet paths if they are all programmed. Each manual communicator test will alternate between one of the phone line paths and one of the AlarmNet paths.

9.3.8 Manual AlarmNet Registration

1. From the main menu, press 1 for System Tests.
2. Select 8 to access Register AlarmNet. The screen will display and ask for confirmation. Feedback will be given if the command was sent or not.

9.3.9 Silence Alarms or Troubles

1. When an alarm is sounding, press SILENCE and enter your code or rotate the key at the prompt.

If an external silence switch was installed, activating the switch will silence alarms or troubles.

If you are actively using the system menus when you press SILENCE, you do not need to enter your code or rotate the key.



NOTE: Alarm and trouble signals that were silenced will resound every 4 or 24 hours, depending on user programming, until the trouble is cleared.



NOTE: This system has the ability to silence control panels across the ECS network.

9.3.10 Reset Alarms

Press RESET and enter your code or rotate the key at the prompt. If an external reset switch was installed, activating the switch will reset the alarms.



NOTE: Multi-Site displays do not reset multiple sites. To reset a site, enter a Multi-Site Installer access password, select a site from the list of Sites, and then press Silence or Reset button to continue. This option will occur whether the Network was programmed No/Yes for “Silence-Reset Across Sites”. Also, this option allows the user to select Reset Fire System and Reset Emergency Communication System whether or not the panel has ECS. If the user selects No, the non-ECS panel will do a fire reset within the site and no other sites will be affected.

Reset Communicator

This options allows the user to reset the communicator. The LCD will display, “Communicator Reset in progress... Please Wait”. You will be returned to the main menu when the reset is complete.

The communicator is not allowed to be reset when alarms or supervisories are active. Communicator reset is not allowed if any of the following events are active:

- Fire Alarm
- Fire Supervisory
- Fire Pre-Alarm
- CO Alarm
- CO Supervisory

9.3.11 Check Detector Sensitivity Through Point Status

The control panel constantly monitors smoke detectors to ensure that sensitivity levels are in compliance with NFPA 72.

If the sensitivity for a detector is not in compliance, the panel goes into trouble, generating a CAL TRBLE condition. A detector enters a CAL MAINT state to indicate that it is approaching an out of compliance condition (but is currently still in compliance).

When a CAL TRBLE condition occurs, the Central Station receives a detector trouble report (“373” and the zone or point for Contact ID format; “FT” and the zone or point in SIA format). To check the sensitivity for an individual detector, follow the steps below:

1. From the main menu, press 2 to access Point Functions.
2. Press 2 to access Point Status.
3. Select the desired module.
4. Enter the number of the desired point and press ENTER.
5. A screen similar to those shown below will display.

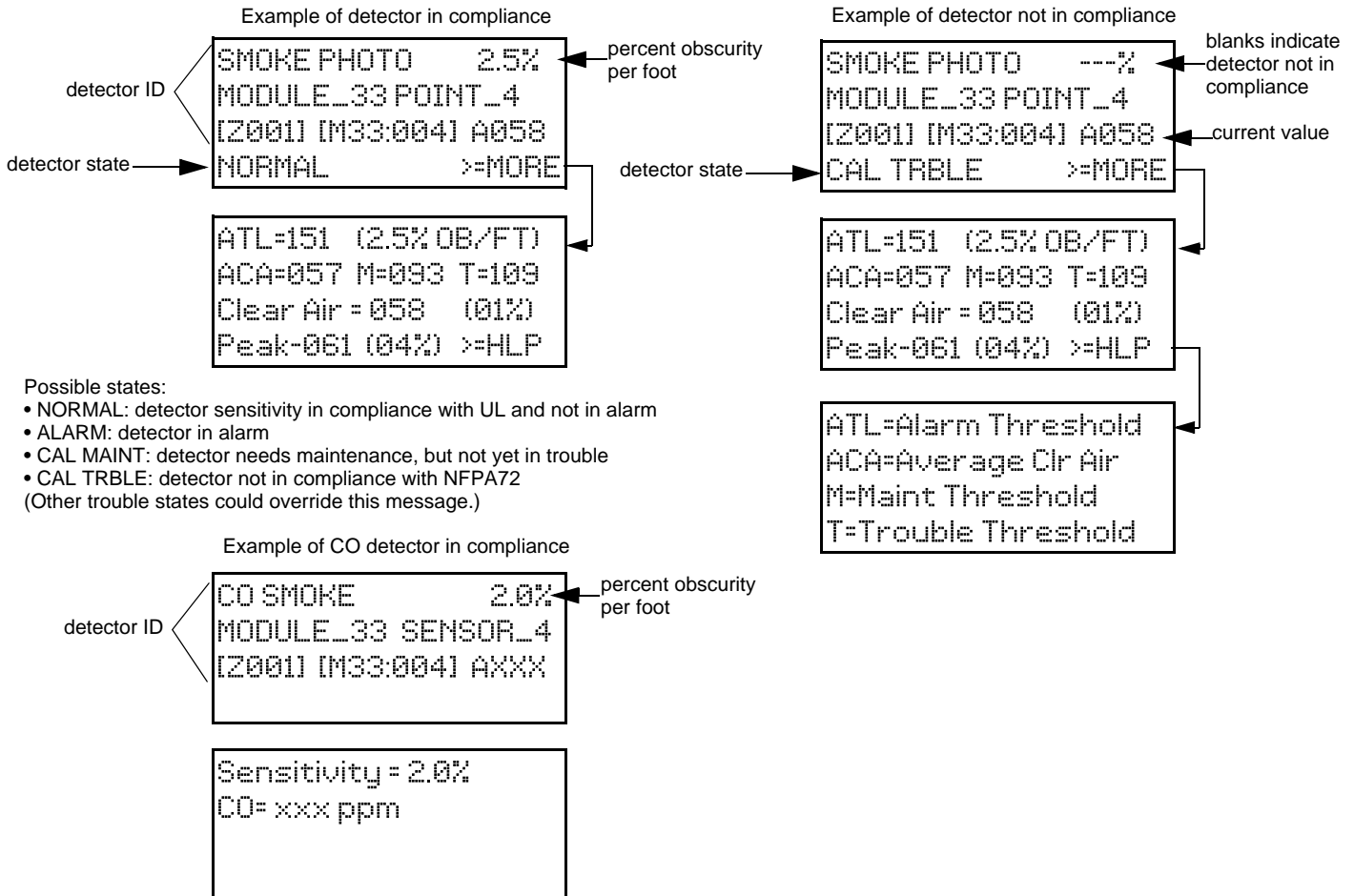


Figure 9.3 Checking Detector Sensitivity Compliance

You can print detector status from HFSS after uploading the information to the software suite.

9.3.12 View Status of a Point

1. From the main menu, select 2 for Point Status.
2. From the list that displays, press ENTER to select the module where this point is located. Next, enter the point to display. The screen that displays will show you if the point has a trouble and will provide sensitivity compliance information. (See Section 9.3.11 above for complete information about detector sensitivity compliance).

9.3.13 View Alarms, Supervisories, or Troubles

When the system is in alarm, supervisory or trouble, you can press down to view the location of the device.

9.3.14 View System Information

From the Main Menu, press 8 to access the System Information menu.

About Panel

Press 1 to access About Panel to view the panel model, serial number, system version number, and date.

Send/Receive Firmware Updates

The TR-75 has the ability to be updated in the field. The most recent TR-75 Firmware Update Utility can be downloaded from the Triga website, www.trigaglobal.com. Once a panel has been updated using the Firmware Update Utility, you can use Send/Receive Firmware Updates to forward the firmware to the other panels in the network.

1. From the System Information menu, press 2 to send a firmware update or press 3 to receive a firmware update. Available panels are listed in the menu. This feature requires a multi-site installer access code.
2. Use the up or down arrow key to select a panel to send/receive an update. Press ENTER to start the update process.

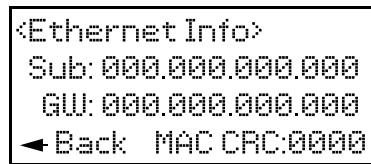
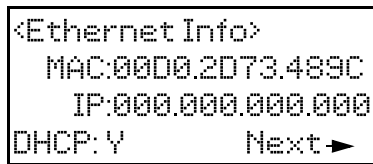
Feature Activation

This Menu is used to activate/register additional features.

1. Press 4 from the System Information menu. This will display the Feature Activation menu.
2. Press 1 to enter a six-digit activation code or press 2 to review features already activated in this panel.

Ethernet Info Screen

1. From the System Information menu, press 5 to access the Ethernet Information.



AlarmNet Info Screen

From the System Information menu, press 6 to access AlarmNet Information. The following information displays.

- Cell strength: 0 to 100%
- Status: Registered/Not Registered

AlarmNet Temp Pin

Press 7 from the System Information menu to enter an AlarmNet Temporary PIN. This is issued by AlarmNet to register a new panel in case the existing FACP is ever replaced.

9.4 Operation Mode Behavior

The control panel can be in one or more of seven conditions at any given moment:

- Normal
- Alarm
- Pre-alarm
- Supervisory
- Trouble
- Silenced
- Reset

Table 9.2 describes the behavior of the panel in each of the condition modes.

When you view the LCD, the screen will display FIRE for the “Fire System”, CO for the “CO System”. The highest priority event will display first and include the Event Count (see Figure 9.5).

Press the down arrow key to view the location and type of the alarm, supervisory or trouble. If the panel is programmed to Auto-Display Event, information describing the highest priority active event will display on the first two lines. The 3rd and 4th line will show the status of which event types are active for each system (fire and CO). Auto Display Event activates after two minutes of annunciator inactivity.



Figure 9.4 Highest Priority Event Display

This screen will display when more that 3 event types are active.



Figure 9.5 Event Types Screen

9.5 Panel Operating Modes

The control panel can display any one of the following seven conditions at any given moment:

- Normal
- Alarm
- Pre-alarm
- Supervisory
- Trouble
- Silenced
- Reset

Table 9.4 describes the behavior of the panel in each of these modes.

Operating Mode	Occurs When	System Behavior	In This Mode You Can
Normal	No alarm, supervisories or trouble condition exists and programming menus are not in use.	<p>SYSTEM POWER LED is on. The All Systems Normal display indicates that the system is in normal mode. The current date and time display on the last line of the LCD.</p> <div data-bbox="573 625 943 783" style="border: 1px solid black; padding: 5px; text-align: center;"> <pre> Triga TR-75 ALL SYSTEMS NORMAL 08/03/21 01:45:52PM </pre> </div>	Enter the appropriate code or rotate the key to activate the main menu.
Alarm	<p>A smoke detector goes into alarm or a pull station is activated.</p> <p>CO detector goes into alarm.</p> <p>If more than 3 categories are active at a single time, the screen will display as shown.</p>	<p>The communicator seizes control of the phone line and calls the central station. The onboard annunciator sounds a loud, steady beep (any notification devices attached to the system will also sound). GENERAL ALARM LED flashes. The LCD displays a screen similar to this one.</p> <div data-bbox="573 995 943 1152" style="border: 1px solid black; padding: 5px;"> <pre> FIRE: ALARM Waterflow SW Zone_1 1 of 1 Info> </pre> </div> <p>Pressing the right arrow key or Info will display the location macro, date/time stamp, and site/panel number if applicable.</p> <div data-bbox="573 1251 943 1409" style="border: 1px solid black; padding: 5px;"> <pre> Site 1 CO ALARM [Press ↓ for status] </pre> </div> <p>Pressing the down arrow key to view the type and location of alarm. (Message will alternate with the date/time display.)</p> <div data-bbox="573 1514 943 1671" style="border: 1px solid black; padding: 5px;"> <pre> FIRE: ALARM SUPR TRBL CO: ALARM SUPR SYS: TRBL </pre> </div>	<p>Press the down arrow key to view the alarm. A screen similar to this one displays.</p> <div data-bbox="1052 858 1507 1016" style="border: 1px solid black; padding: 5px;"> <pre> ALARM: MAN_PULL ← device type MODULE_33 POINT_2 ZONE_2 3 of 5 </pre> </div> <p style="text-align: right;">showing 3 of 5 events</p> <p>Press SILENCE and enter an Access Code (or activate the key) to silence the annunciator (and any notification devices attached to the system). When the alarm condition clears, press RESET and enter a code (or activate the key) to restore the panel to normal.</p>

Table 9.4 Panel Operating Modes

Operating Mode	Occurs When	System Behavior	In This Mode You Can
Reset	The RESET button is pressed followed by a valid code or rotation of the key.	All LEDs are on briefly then the LCD displays "ALARM RESET IN PROGRESS". If the reset process completes normally, the date and time normal mode screen displays.	Menus are not available during the reset process.
Silenced	An alarm or trouble condition has been silenced but still exists. To silence alarms and troubles, press SILENCE followed by the installer or user code or rotate the key.	SYSTEM SILENCE LED is on. SYSTEM TROUBLE, SUPERVISORY or GENERAL ALARM LED (depending on condition) is on. The annunciator (and any notification devices attached to the system) will be silenced.	Press the down arrow key to view the location of the alarm or trouble. When the condition no longer exists, the SYSTEM SILENCED and SYSTEM TROUBLE LED, SUPERVISORY or GENERAL ALARM LEDs turn off.

Table 9.4 Panel Operating Modes (Continued)

9.5.1 Multi-Site Annunciator and Multi-Site User Access

Multi-site annunciators are unique as they can display the status and event history of all sites they are assigned to. These displays can be especially useful in guard shacks or security centers. A multi-site display is indicated by the words "Multi-Site Display" at the top of the system idle screen.

- The F-Macro key is disabled until a multi-site user access code has been entered and a specific site has been selected.
- Multi-site annunciators use the following silencing rules:
 - If any new troubles, supervisory, pre-alarms, or alarms are triggered in any assigned sites, locally silenced annunciators will resound.
 - If a multi-site annunciator is locally silenced for 4 or 24 hours depending on user selection, the locally silenced annunciators will resound.
- The TR-75 menu system is disabled on a multi-site annunciator. Pressing the right arrow or Enter keys will bring you straight into event history for assigned sites. To get into the menu system, a multi-site user password must be entered and then a site must be selected from the site selection menu. Once this is done, you will have access to the system idle screen of that site and the annunciator will temporarily act like a single site annunciator.
- A multi-site annunciator will sound the highest priority tone from the sites it is assigned to.

9.6 Releasing Operations

This control panel supports two types of releasing functions, Double Interlock Zone, and Single Interlock Zone. The Double Interlock Zone operation requires an interlock switch input in the system, and the Single Interlock does not. An interlock switch is typically a dry-contact pressure switch.



NOTE: These releasing functions can only be done if the system has a TR-RPS1 intelligent power module included.

When you select either type of releasing function, the system will automatically default the TR-RPS1 Intelligent Power Module in the following system parameters:



NOTE: The defaults created can be modified through panel programming, if desired.

- Output Group 2 is created. Output Group 2 will be defaulted as an "Alarm" output group for all releasing zones. NAC [01:001] is assigned to Output Group 2.
- Output Group 3 is created. Output Group 3 will be defaulted as an "Pre-Alert" output group for all releasing zones. NAC [01:002] is assigned to Output Group 3.
- Output Group 4 is created. Output Group 4 will be defaulted as a "Release" output group for all releasing zones. NAC circuit [01:003] is assigned to Output Group 4.



NOTE: The installer must define which input points will be used for detectors, manual release switches, or interlock/pressure switches.

Refer to the *Triga Device Compatibility Document* for compatible releasing solenoids.

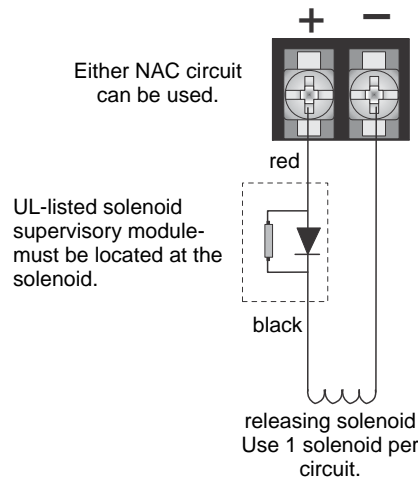


Figure 9.6 Wiring Configuration for Solenoid



NOTE: For releasing operations, a manual releasing disconnect switch is required per UL 864. Refer to the *MRD-1 Series Document* for installation instructions.

9.6.1 Single Interlock Zone Releasing

A single interlock zone utilizes a minimum of two addressable detectors and a designated manual release switch. Only addressable detectors can be used. No conventional detectors can be used.

Conditions Required for a Pre-Alert Output Activation

If any single addressable detector is activated, the “Pre-Alert” output will activate and the “Pre-Alarm” output will deactivate. This alerts the user that the initial stages required for a release condition are present. (Also refer to Table 9.5.)

Conditions required for a General Alarm and Release Output Activation

If two or more addressable detectors, or a manual release switch activate, the “Alarm” and the “Release” outputs will activate. (Also refer to Table 9.5 below.)

Inputs	Output Results									
	Normal	Pre-Alert	Release	General Alarm	Alarm	Pre-Alarm	Release	General Alarm		
1st Addressable Detector		X			X		X		X	
2nd Addressable Detector			X		X			X	X	
Manual Release Station					X	X	X	X	X	
	Normal	Pre-Alert	Release and General Alarm							

Table 9.5 Input Conditions and Output Results



CAUTION: DETECTOR SPACING

DETECTORS MUST BE INSTALLED AT 0.7 TIMES THE LINEAR SPACING AS DESCRIBED IN NFPA 72

9.6.2 Double Interlock Zone Releasing

A Double Interlock Zone uses a minimum of two addressable detectors, a designated manual release switch, and an interlock switch input. An interlock switch is typically a dry-contact pressure switch and will be referred to as an interlock/pressure switch in this document. Only addressable detectors can be used. No conventional detectors can be used.

Conditions Required for a Pre-Alert Output Activation

If any single addressable detector is activated, the “Pre-Alert” output will activate. This alerts the user that the initial stages required for a release condition are present. (Also refer to Table 9.5.)

Conditions Required for a General Alarm Output Activation

If two addressable detectors, a manual release switch is activated, or an interlock switch is active, the “Pre-Alert”, and “General Alarm” outputs will activate.

Conditions Required for a Release Output Activation

Any release requires the activation of an interlock switch, and either a manual release switch or two activated addressable detectors. When these conditions are met, the “Release” and “General Alarm” outputs will activate, and the “Alert” output will deactivate.

Inputs	Output Results																
	Normal				Pre-Alert				Pre-Alert and General Alarm				Release and General Alarm				
1st Addressable Detector		X		X			X		X		X		X		X		X
2nd Addressable Detector			X	X			X	X			X		X			X	X
Manual Release Station					X	X	X	X						X	X	X	X
Interlock/Pressure Switch									X	X	X		X	X	X	X	X

Table 9.6 Double Lock Zone Operation



CAUTION: DETECTOR SPACING

DETECTORS MUST BE INSTALLED AT 0.7 TIMES THE LINEAR SPACING AS DESCRIBED IN NFPA 72

9.7 Smoke Alarm Verification

Figure 9.7 illustrates how the smoke alarm verification cycle operates.

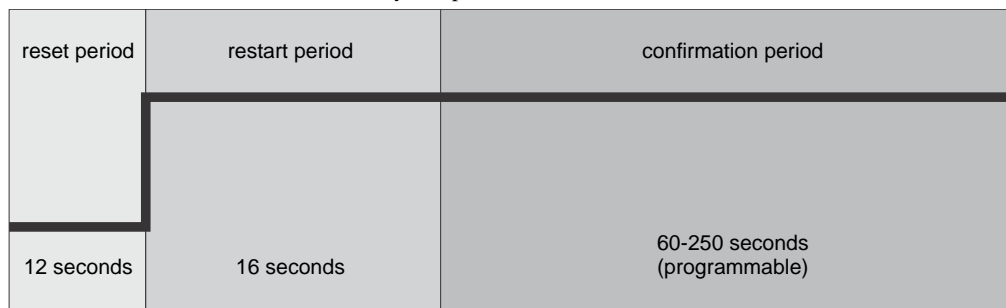


Figure 9.7 Smoke Verification Cycle

If there is no alarm indication during the confirmation period, the system will return to normal operation.

9.8 Function Keys

The function keys on the TR-75 (or TR-RD2G/R) have multiple features. Their macro key functionality can simplify the disabling, activating, or inhibiting points or groups respectively. They can also be used as a status type activation event and for activating Map Inhibit. Each F-Key macro can hold 50 events.

To access the F-Key recording menu:

1. From the system normal screen, press and hold the F-Key for 5 seconds.
2. Enter a valid access code with F-Key macro recording privileges, if prompted.

9.8.1 Recording an F-Key Macro

1. Access the F-Key recording menu and select the ‘Start F-KEY Recording’ option.
2. The panel will return to the Idle screen. Notice the 4th line on the display now alternates with “F# Key Recording”, where # is the number of the F-Key being recorded.
3. Any disabling or activating of points, output groups, or templates from the site at this point will be programmed into the macro. Do this by going to any annunciator within the site and entering Point Functions menu from the main menu. Then, use Disable/Enable Point or use the I/O Point Control to disable output groups or individual points or activate individual points.
4. After you finished disabling or activating the points/output groups, enter the F-Key recording menu again and select the “End F-KEY Recording” option.
5. The panel will return to the Idle screen.

9.8.2 Aborting an F-Key Macro Recording Session

1. After an F-Key macro recording session is started, the session can be canceled at any time by accessing the F-Key recording menu and selecting “Abort F-KEY Recording” option.
2. The panel will return to the Idle screen.

9.8.3 Erasing an F-Key Macro

1. If an F-Key Macro was recorded, you can erase it by accessing the F-Key recording menu and selecting the “Erase F-KEY Macro” option.
2. The panel will return to the Idle screen.

9.8.4 Using a Recorded F-Key Macro

1. From the Idle screen on any annunciator in the site, press the F-Key you want to activate.
2. Once finished, deactivate the macro by pressing the F-Key again.

9.8.5 F-Key Status Event

When an F-Key is enabled, it activates its corresponding F-Key Active Event. This is a status type event that can activate outputs without showing any status on the annunciator displays. This option should be used for ancillary purposes only.

9.8.6 F-Key Map Inhibit

The F-Keys have the ability to temporarily disable event/output group mapping. This option can be setup to allow for testing purposes where the notification of an entire building is not desired during a test. This option is programmable for each output group Map through the HFSS Software Suite.

When an F-Key is active and a map in the system is set to be disabled by Map Inhibit, the system will show a trouble event.

Section 10: Reporting

This section lists the receivers that are compatible with this control panel and the reporting codes sent by the control panel for SIA and Contact ID formats.

10.1 Receivers Compatible with the Control Panel

Table 10.1 shows receivers compatible with the control panel.

Manufacturer	Model	Format
Honeywell	Model 9800	SIA and Contact ID
	Model 9000 (SIA formats)	SIA
Honeywell Security	AlarmNet 7810-ir	IP and Cellular Receiver, Contact ID only
Ademco	MX8000	SIA and Contact ID
Ademco	Model 685 (Contact ID)	Contact ID
Sur-Gard	SG-MLR2-DG (V. 1.64 or higher)	SIA and Contact ID
Osborne Hoffman	Quickalert	SIA and Contact ID

Table 10.1 Receivers Compatible with the Control Panel

Event Description	SIA Reporting Format				Contact ID Reporting Format			
	Module ID # (If Any)	SIA Event Codes	Parameter	SIA	Qualifier	Event Code	Group #	Contact #
				Fixed Length Format NN - panel ID XX- SBUS ID ZZZ- Zone # PPPP- Point # GGG- Group # E- Emergency # RRRR-Receiver #				
System Events	System Events are reported when either "Report by Point" or Report by Zone is selected							
AC power low trouble		AT	0	ATNN000000	1	301	00	000
AC power low trouble restore		AR	0	ARNN000000	3	301	00	000
Auto dialer test communications trouble line 1		YC	1	YCNN000001	1	350	Receiver #	001
Auto dialer test communications trouble line 1 restore		YK	1	YKNN000001	3	350	Receiver #	001
Auto dialer test communications trouble line 2		YC	2	YCNN000002	1	350	Receiver #	002
Auto dialer test communications trouble line 2 restore		YK	2	YKNN000002	3	350	Receiver #	002
Automatic test normal		RP	0	RPNN000000	1	602	00	000
Automatic test off normal		RY	0	RYNN000000	1	608	00	000
Battery voltage trouble		YT	Exp. ID	YTNNXX0000	1	302	Exp. ID	000
Battery voltage trouble restore		YR	Exp. ID	YRNNXX0000	3	302	Exp. ID	000
Date changed event		JD	0	JDNN000000	1	625	00	000
ECS Reset		OR	1	ORNN000001	1	401	00	001
Emergency System Overridden		QS	0	QSNN000000	1	244	00	000
Emergency System Overridden Restore		QR	0	QRNN000000	3	244	00	000
Fire drill has begun		FI	0	FINN000000	1	604	00	000
Fire drill has ended		FK	0	FKNN000000	3	604	00	000
F1 Mapping Inhibited		FT	2001	FTNN002001	1	570	00	001
F1 Mapping Inhibited Restoral		FJ	2001	FJNN002001	3	570	00	001
F2 Mapping Inhibited		FT	2002	FTNN002002	1	570	00	002
F2 Mapping Inhibited Restoral		FJ	2002	FJNN002002	3	570	00	002
F3 Mapping Inhibited		FT	2003	FTNN002003	1	570	00	003
F3 Mapping Inhibited Restoral		FJ	2003	FJNN002003	3	570	00	003
F4 Mapping Inhibited		FT	2004	FTNN002004	1	570	00	004
F4 Mapping Inhibited Restoral		FJ	2004	FJNN002004	3	570	00	004

Table 10.2 Reporting Formats Table

Event Description	SIA Reporting Format				Contact ID Reporting Format			
	Module ID # (If Any)	SIA Event Codes	Parameter	Fixed Length Format NN - panel ID XX- SBUS ID ZZZ- Zone # PPPP- Point # GGG- Group # E- Emergency # RRRR-Receiver #	Qualifier	Event Code	Group #	Contact #
Fire Reset		OR	0	ORNN000000	1	401	00	000
Fire System Overridden		FS	0	FSNN000000	1	245	00	000
Fire System Override Restore		FR	0	FRNN000000	3	245	00	000
Ground fault condition trouble		YP	Exp. ID	YPNNXX0000	1	310	Exp. ID	000
Ground fault condition trouble restore		YQ	Exp. ID	YQNNXX0000	3	310	Exp. ID	000
Initial power up		RR	0	RRNN000000	1	305	00	000
Local programming aborted or ended with errors		LU	0	LUNN000000	1	628	00	000
Local programming begin		LB	0	LBNN000000	1	627	00	000
Local programming ended normally		LS	0	LSNN000000	1	628	00	000
Network node trouble (panel missing)		EM	Panel ID	EMNNNN0000	1	334	Panel ID	000
Network node trouble restore (panel no longer missing)		EN	Panel ID	ENNNNN0000	3	334	Panel ID	000
OPG Inhibit Trouble		FT	Group # + 1000	FTNN001GGG	1	320	00	Group #
OPG Inhibit Trouble Restore		FJ	Group # + 1000	FJNN001GGG	3	320	00	Group #
OPG Inhibit of Releasing Group		SS	Group # + 1000	SSNN001GGG	1	203	00	Group #
OPG Inhibit of Releasing Group Restore		SR	Group # + 1000	SRNN001GGG	3	203	00	Group #
Phone line 1 trouble detected		LT	1	LTNN000001	1	351	00	000
Phone line 1 trouble restore		LR	1	LRNN000001	3	351	00	000
Phone line 2 trouble detected		LT	2	LTNN000002	1	352	00	000
Phone line 2 trouble restore		LR	2	LRNN000002	3	352	00	000
Printer is off-line trouble		VZ	Exp. ID	VZNNXX0000	1	336	Exp. ID	000
Printer is off-line trouble restore		VY	Exp. ID	VYNNXX0000	3	336	Exp. ID	000
Printer is out of paper trouble		VO	Exp. ID	VONNXX0000	1	335	Exp. ID	000
Printer is out of paper trouble restore		VI	Exp. ID	VINNXX0000	3	335	Exp. ID	000
Releasing Notif/Control Circuit Disabled	pi Exp. ID	SS	Point #	SSNNXXPPPP	1	203	Exp. ID	Point #
Releasing Notif/Control Circuit enabled	pi Exp. ID	SR	Point #	SRNNXXPPPP	3	203	Exp. ID	Point #
Remote programming aborted or ended with errors		RU	0	RUNN000000	1	413	00	000
Remote programming ended normally		RS	0	RSNN000000	1	412	00	000
Repeater ground fault trouble		EM	0103	EMNN000103	1	334	Panel ID	103
Repeater ground fault trouble restore		EN	0103	ENNN000103	3	334	Panel ID	103
Repeater missing trouble		EM	0100	EMNN000100	1	334	Panel ID	100
Repeater missing trouble restore		EN	0100	ENNN000100	3	334	Panel ID	100
Repeater Rx1 communication trouble		EM	0101	EMNN000101	1	334	Panel ID	101
Repeater Rx1 communication trouble restore		EN	0101	ENNN000101	3	334	Panel ID	101
Repeater Rx2 communication trouble		EM	0102	EMNN000102	1	334	Panel ID	102
Repeater Rx2 communication trouble restore		EN	0102	ENNN000102	3	334	Panel ID	102
SBUS Class A supervision lost		ET	Exp. ID	ETNNXX0000	1	333	Exp. ID	000
SBUS Class A supervision restore		ER	Exp. ID	ERNNXX0000	3	333	Exp. ID	000
SBUS expander trouble		ET	Exp. ID	ETNNXX0000	1	333	Exp. ID	000
SBUS expander trouble restore		ER	Exp. ID	ERNNXX0000	3	333	Exp. ID	000

Table 10.2 Reporting Formats Table (Continued)

Event Description	SIA Reporting Format				Contact ID Reporting Format			
	Module ID # (If Any)	SIA Event Codes	Parameter	Fixed Length Format NN - panel ID XX- SBUS ID ZZZ- Zone # PPPP- Point # GGG- Group # E- Emergency # RRRR-Receiver #	Qualifier	Event Code	Group #	Contact #
SLC class A supervision trouble		ET	Exp. ID	ETNNXX0000	1	331	Exp. ID	000
SLC class A supervision trouble restore		ER	Exp. ID	ERNXX0000	3	331	Exp. ID	000
SLC programming ended, system active		TE	0	TENN000000	3	607	00	000
SLC programming started, system shut down		TS	0	TSNN000000	1	607	00	000
SLC short circuit trouble		ET	Exp. ID	ETNNXX0000	1	332	Exp. ID	000
SLC short circuit trouble restore		ER	Exp. ID	ERNXX0000	3	332	Exp. ID	000
Time changed event		JT	0	JTNN000000	1	625	00	000
Unable to report to account trouble		RT	Receiver #	RTNN00RRRR	1	354	00	Receiver #
Unable to report to account trouble restore		YK	Receiver #	YKNN00RRRR	3	354	00	Receiver #
User Access Code changed		JV	0	JVNN000000	1	602	00	000
User initiated manual dialer test		RX	0	RXNN000000	1	601	00	000
Walk Test begin		TS	0	TSNN000000	1	607	00	000
Walk Test end		TE	0	TENN000000	3	607	00	000
Zone Events	Zone events are reported only when "Report by Zone" is selected							
Auxiliary power trouble		FT	0000	FTNN000000	1	320	00	000
Auxiliary power trouble restore		FJ	0000	FJNN000000	3	320	00	000
CO Detector Alarm		GA	Zone #	GANN00ZZZ	1	162	00	Zone #
CO Detector Alarm Restore		GH	Zone #	GHNN00ZZZ	3	162	00	Zone #
CO Detector Supervisory Alarm		GS	Zone #	GSNN00ZZZ	1	200	00	Zone #
CO Detector Supervisory Alarm Restore		GR	Zone #	GRNN00ZZZ	3	200	00	Zone #
CO Detector Trouble		GT	Zone #	GTNN00ZZZ	1	373	00	Zone #
CO Detector Trouble Restore		GJ	Zone #	GJNN00ZZZ	3	373	00	Zone #
Detector Alarm		FA	Zone #	FANN00ZZZ	1	110	00	Zone #
Detector Alarm Restore		FH	Zone #	FHNN00ZZZ	3	110	00	Zone #
Detector trouble		FT	Zone #	FTNN00ZZZ	1	373	00	Zone #
Detector trouble restore		FJ	Zone #	FJNN00ZZZ	3	373	00	Zone #
ECS Switch Trouble		QT	0	QTNN000000	1	242	00	000
ECS Switch Trouble Restore		QJ	0	QJNN000000	3	242	00	000
ECS Supervisory/Tamper Alarm		QS	0	QSNN000000	1	241	00	000
ECS Supervisory/Tamper Alarm Restore		QR	0	QRNN000000	3	241	00	000
ECS Output Group Trouble		QT	Group # +1000	QTNN001GGG	1	320	00	Group #
ECS Output Group Trouble Restore		QJ	Group # +1000	QJNN001GGG	3	320	00	Group #
External Reset/Silence/Fire Drill switch Trouble		UT	0000	UTNN000000	1	373	00	000
External Reset/Silence/Fire Drill switch trouble restore		UJ	0000	UJNN000000	3	373	00	000
LOC Mic Activated ECS Alarm		QA	0	QANN000000	1	220	00	000
LOC Mic Activated ECS Alarm Restore		QH	0	QHNN000000	3	220	00	000
LOC/Point ECS # Alarm		QA	Emergency #	QANN0E0000	1	220 + Emerg ncy #	00	000

Table 10.2 Reporting Formats Table (Continued)

Event Description	SIA Reporting Format				Contact ID Reporting Format			
	Module ID # (If Any)	SIA Event Codes	Parameter	Fixed Length Format NN - panel ID XX- SBUS ID ZZZ- Zone # PPPP- Point # GGG- Group # E- Emergency # RRRR-Receiver #	Qualifier	Event Code	Group #	Contact #
LOC/Point ECS # Alarm Restore		QH	Emergency #	QHNN0E0000	3	220 + Emergency #	00	000
Manual pull switch alarm		FA	Zone #	FANN00ZZZ	1	115	00	Zone #
Manual pull switch alarm restore		FH	Zone #	FHNN00ZZZ	3	115	00	Zone #
Manual pull switch trouble		FT	Zone #	FTNN00ZZZ	1	373	00	Zone #
Manual pull switch trouble restore		FJ	Zone #	FJNN00ZZZ	3	373	00	Zone #
Notification output trouble		FT	Group # + 1000	FTNN001GGG	1	320	00	Group #
Notification output trouble restore		FJ	Group # + 1000	FJNN001GGG	3	320	00	Group #
Positive Alarm Sequence acknowledge switch trouble		FT	Zone #	FTNN00ZZZ	1	373	00	Zone #
Positive Alarm Sequence acknowledge switch trouble restore		FJ	Zone #	FJNN00ZZZ	3	373	00	Zone #
SLC LED Module trouble		ET	0000	ETNN000000	1	333	00	000
SLC LED Module trouble restore		ER	0000	ERNN000000	3	333	00	000
Status Point Types Trouble		UT	0	UTNN000000	1	379	00	000
Status Point Types Trouble Restore		UJ	0	UJNN000000	3	379	00	000
Supervisory Detector Alarm		FS	Zone #	FSNN00ZZZ	1	200	00	Zone #
Supervisory Detector Alarm Restore		FR	Zone #	FRNN00ZZZ	3	200	00	Zone #
Supervisory/Tamper Alarm		FS	Zone #	FSNN00ZZZ	1	200	00	Zone #
Supervisory/Tamper alarm condition restore		FR	Zone #	FRNN00ZZZ	3	200	00	Zone #
Supervisory/Tamper switch trouble		FT	Zone #	FTNN00ZZZ	1	373	00	Zone #
Supervisory/Tamper switch trouble restore		FJ	Zone #	FJNN00ZZZ	3	373	00	Zone #
System-based AUX1 switch alarm		UA	1000	UANN001000	1	140	01	000
System-based AUX1 switch alarm restore		UH	1000	UHNN001000	3	140	01	000
System-based AUX1 switch trouble		UT	1000	UTNN001000	1	373	01	000
System-based AUX1 switch trouble restore		UJ	1000	UJNN001000	3	373	01	000
System-based AUX2 switch alarm		UA	2000	UANN002000	1	140	02	000
System-based AUX2 switch alarm restore		UH	2000	UHNN002000	3	140	02	000
System-based AUX2 switch trouble		UT	2000	UTNN002000	1	373	02	000
System-based AUX2 switch trouble restore		UJ	2000	UJNN002000	3	373	02	000
Voice Aux ECS 1 Alarm		UA	3	UANN003000	1	171	00	000
Voice Aux ECS 1 Alarm Restore		UH	3	UHNN003000	3	171	00	000
Voice Aux ECS 2 Alarm		UA	4	UANN004000	1	172	00	000
Voice Aux ECS 2 Alarm Restore		UH	4	UHNN004000	3	172	00	000
Voice Aux ECS 3 Alarm		UA	5	UANN005000	1	173	00	000
Voice Aux ECS 3 Alarm Restore		UH	5	UHNN005000	3	173	00	000
Voice Aux ECS 4 Alarm		UA	6	UANN006000	1	174	00	000
Voice Aux ECS 4 Alarm Restore		UH	6	UHNN006000	3	174	00	000

Table 10.2 Reporting Formats Table (Continued)

Event Description	SIA Reporting Format				Contact ID Reporting Format			
	Module ID # (If Any)	SIA Event Codes	Parameter	Fixed Length Format NN - panel ID XX- SBUS ID ZZZ- Zone # PPPP- Point # GGG- Group # E- Emergency # RRRR-Receiver #	Qualifier	Event Code	Group #	Contact #
Water flow switch alarm		SA	Zone #	SANN000ZZZ	1	113	00	Zone #
Water flow switch alarm Restore		SH	Zone #	SHNN000ZZZ	3	113	00	Zone #
Water flow switch trouble		ST	Zone #	STNN000ZZZ	1	373	00	Zone #
Water flow switch trouble Restore		SJ	Zone #	SJNN000ZZZ	3	373	00	Zone #
Zone-based AUX1 switch alarm		UA	Zone # + 1000	UANN001ZZZ	1	140	01	Zone #
Zone-based AUX1 switch alarm restore		UH	Zone # + 1000	UHNN001ZZZ	3	140	01	Zone #
Zone-based AUX1 switch trouble		UT	Zone # + 1000	UTNN001ZZZ	1	373	01	Zone #
Zone-based AUX1 switch trouble restore		UJ	Zone # + 1000	UJNN001ZZZ	3	373	01	Zone #
Zone-based AUX2 switch alarm		UA	Zone # + 2000	UANN002ZZZ	1	140	02	Zone #
Zone-based AUX2 switch alarm restore		UH	Zone # + 2000	UHNN002ZZZ	3	140	02	Zone #
Zone-based AUX2 switch trouble		UT	Zone # + 2000	UTNN002ZZZ	1	373	02	Zone #
Zone-based AUX2 switch trouble restore		UJ	Zone # + 2000	UJNN002ZZZ	3	373	02	Zone #
Point Events: Sensors 1–99 are reported as Points 1–99, Modules 1–99 are reported as Points 201–299.								
An unexpected SLC device has been detected	pi Exp. ID	XE	Point #	XENNXPPPP	1	380	Exp. ID	Point #
An unexpected SLC device has been removed	pi Exp. ID	XI	Point #	XINNXPPPP	3	380	Exp. ID	Point #
Auxiliary power disabled	pi Exp. ID	FB	Point #	FBNNXPPPP	1	571	Exp. ID	Point #
Auxiliary power enabled	pi Exp. ID	FU	Point #	FUNNXPPPP	3	571	Exp. ID	Point #
Auxiliary power Trouble	pi Exp. ID	FT	Point #	FTNNXPPPP	1	320	Exp. ID	Point #
Auxiliary power trouble restore	pi Exp. ID	FJ	Point #	FJNNXPPPP	3	320	Exp. ID	Point #
Background Music Switch is Trouble	pi Exp. ID	UT	Point #	UTNNXPPPP	1	379	Exp. ID	Point #
Background Music Switch is Trouble Restored	pi Exp. ID	UJ	Point #	UJNNXPPPP	3	379	Exp. ID	Point #
Background Music Switch is Disabled	pi Exp. ID	UB	Point #	UBNNXPPPP	1	580	Exp. ID	Point #
Background Music Switch is Enabled	pi Exp. ID	UU	Point #	UUNNXPPPP	3	580	Exp. ID	Point #
CO Detector Trouble	pi Exp. ID	GT	Point #	GTNNXPPPP	1	373	Exp. ID	Point #
CO Detector Trouble Restore	pi Exp. ID	GJ	Point #	GJNNXPPPP	3	373	Exp. ID	Point #
CO Detector Disabled	pi Exp. ID	GB	Point #	GBNNXPPPP	1	571	Exp. ID	Point #
CO Detector Enabled	pi Exp. ID	GU	Point #	GUNNXPPPP	3	571	Exp. ID	Point #
Detector Alarm	pi Exp. ID	FA	Point #	FANNXPPPP	1	110	Exp. ID	Point #
Detector Alarm restore	pi Exp. ID	FH	Point #	FHNNXPPPP	3	110	Exp. ID	Point #
Detector Disabled	pi Exp. ID	FB	Point #	FBNNXPPPP	1	571	Exp. ID	Point #
Detector Enabled	pi Exp. ID	FU	Point #	FUNNXPPPP	3	571	Exp. ID	Point #
Detector Trouble	pi Exp. ID	FT	Point #	FTNNXPPPP	1	373	Exp. ID	Point #
Detector Trouble restore	pi Exp. ID	FJ	Point #	FJNNXPPPP	3	373	Exp. ID	Point #
Detector CO Alarm	pi Exp. ID	GA	Point #	GANNXPPPP	1	162	Exp. ID	Point #
Detector CO Alarm Restore	pi Exp. ID	GH	Point #	GHNNXPPPP	3	162	Exp. ID	Point #
Detector CO Supervisory Alarm	pi Exp. ID	GS	Point #	GSNNXPPPP	1	200	Exp. ID	Point #
Detector CO Supervisory Alarm Restore	pi Exp. ID	GR	Point #	GRNNXPPPP	3	200	Exp. ID	Point #

Table 10.2 Reporting Formats Table (Continued)

Event Description	SIA Reporting Format				Contact ID Reporting Format			
	Module ID # (If Any)	SIA Event Codes	Parameter	Fixed Length Format NN - panel ID XX- SBUS ID ZZZ- Zone # PPPP- Point # GGG- Group # E- Emergency # RRRR-Receiver #	Qualifier	Event Code	Group #	Contact #
ECS Alarm # Point Alarm	pi Exp. ID	QA	(EPPP) E - Emergency # PPP - Point #	QANNXXEPPP	1	220 + Emergency #	Exp. ID	Point #
ECS Alarm # Point Alarm Restore	pi Exp. ID	QH	(EPPP) E - Emergency # PPP - Point #	QHNNXXEPPP	3	220 + Emergency #	Exp. ID	Point #
ECS Alarm # Point Trouble	pi Exp. ID	QT	Point #	QTNNXXPPPP	1	242	Exp. ID	Point #
ECS Alarm # Point Trouble Restore	pi Exp. ID	QJ	Point #	QJNNXXPPPP	3	242	Exp. ID	Point #
ECS Alarm # Point Disabled	pi Exp. ID	QB	Point #	QBNNXXPPPP	1	243	Exp. ID	Point #
ECS Alarm # Point Enabled	pi Exp. ID	QU	Point #	QUNNXXPPPP	3	243	Exp. ID	Point #
ECS Supervisory/Tamper Alarm	pi Exp. ID	QS	Point #	QSNNXXPPPP	1	241	Exp. ID	Point #
ECS Supervisory/Tamper Alarm Restore	pi Exp. ID	QR	Point #	QRNNXXPPPP	3	241	Exp. ID	Point #
ECS Supervisory/Tamper Trouble	pi Exp. ID	QT	Point #	QTNNXXPPPP	1	242	Exp. ID	Point #
ECS Supervisory/Tamper Trouble Restore	pi Exp. ID	QJ	Point #	QJNNXXPPPP	3	242	Exp. ID	Point #
ECS Supervisory/Tamper Disabled	pi Exp. ID	QB	Point #	QBNNXXPPPP	1	243	Exp. ID	Point #
ECS Supervisory/Tamper Enabled	pi Exp. ID	QU	Point #	QUNNXXPPPP	3	243	Exp. ID	Point #
ECS NAC Trouble	pi Exp. ID	QT	Point #	QTNNXXPPPP	1	320	Exp. ID	Point #
ECS NAC Trouble Restored	pi Exp. ID	QJ	Point #	QJNNXXPPPP	3	320	Exp. ID	Point #
ECS Control Circuit Trouble	pi Exp. ID	QT	Point #	QTNNXXPPPP	1	320	Exp. ID	Point #
ECS Control Circuit Trouble Restored	pi Exp. ID	QJ	Point #	QJNNXXPPPP	3	320	Exp. ID	Point #
ECS Relay Trouble	pi Exp. ID	QT	Point #	QTNNXXPPPP	1	320	Exp. ID	Point #
ECS Relay Trouble Restored	pi Exp. ID	QJ	Point #	QJNNXXPPPP	3	320	Exp. ID	Point #
ECS Notification Trouble	pi Exp. ID	QT	Point #	QTNNXXPPPP	1	320	Exp. ID	Point #
ECS Notification Trouble Restored	pi Exp. ID	QJ	Point #	QJNNXXPPPP	3	320	Exp. ID	Point #
External Reset/Silence/Fire Drill switch disabled	pi Exp. ID	UB	Point #	UBNNXXPPPP	1	571	Exp. ID	Point #
External Reset/Silence/Fire Drill switch enabled	pi Exp. ID	UU	Point #	UUNNXXPPPP	3	571	Exp. ID	Point #
External Reset/Silence/Fire Drill switch trouble	pi Exp. ID	UT	Point #	UTNNXXPPPP	1	373	Exp. ID	Point #
External Reset/Silence/Fire Drill switch trouble restore	pi Exp. ID	UJ	Point #	UJNNXXPPPP	3	373	Exp. ID	Point #
Interlock switch alarm (Water Release Zone)	pi Exp. ID	FA	Point #	FANNXXPPPP	1	110	Exp. ID	Point #
Interlock switch alarm restore (Water Release Zone)	pi Exp. ID	FH	Point #	FHNNXXPPPP	3	110	Exp. ID	Point #
Interlock switch disabled	pi Exp. ID	FB	Point #	FBNNXXPPPP	1	571	Exp. ID	Point #
Interlock switch enabled	pi Exp. ID	FU	Point #	FUNNXXPPPP	3	571	Exp. ID	Point #
Interlock switch trouble (Water Release Zone)	pi Exp. ID	FT	Point #	FTNNXXPPPP	1	373	Exp. ID	Point #
Interlock switch trouble restore (Water Release Zone)	pi Exp. ID	FJ	Point #	FJNNXXPPPP	3	373	Exp. ID	Point #
LOC Mic Activated ECS Alarm	pi Exp. ID	QA	0	QANNXX0000	1	220	Exp. ID	000
LOC Mic Activated ECS Alarm Restore	pi Exp. ID	QH	0	QHNNXX0000	3	220	Exp. ID	000

Table 10.2 Reporting Formats Table (Continued)

Event Description	SIA Reporting Format				Contact ID Reporting Format			
	Module ID # (If Any)	SIA Event Codes	Parameter	Fixed Length Format NN - panel ID XX- SBUS ID ZZZ- Zone # PPPP- Point # GGG- Group # E- Emergency # RRRR-Receiver #	Qualifier	Event Code	Group #	Contact #
LOC ECS # Alarm	pi Exp. ID	QA	Emergency #	QANNXXE000	1	220 + Emergency #	Exp. ID	000
LOC ECS # Alarm Restore	pi Exp. ID	QH	Emergency #	QHNNXXE000	3	220 + Emergency #	Exp. ID	000
Manual pull switch alarm	pi Exp. ID	FA	Point #	FANNXXPPPP	1	115	Exp. ID	Point #
Manual pull switch alarm restore	pi Exp. ID	FH	Point #	FHNNXXPPPP	3	115	Exp. ID	Point #
Manual pull switch disabled	pi Exp. ID	FB	Point #	FBNNXXPPPP	1	571	Exp. ID	Point #
Manual pull switch enabled	pi Exp. ID	FU	Point #	FUNNXXPPPP	3	571	Exp. ID	Point #
Manual pull switch trouble	pi Exp. ID	FT	Point #	FTNNXXPPPP	1	373	Exp. ID	Point #
Manual pull switch trouble restore	pi Exp. ID	FJ	Point #	FJNNXXPPPP	3	373	Exp. ID	Point #
Manual release switch alarm (Water Release Zone)	pi Exp. ID	FA	Point #	FANNXXPPPP	1	110	Exp. ID	Point #
Manual release switch alarm restore (Water Release Zone)	pi Exp. ID	FH	Point #	FHNNXXPPPP	3	110	Exp. ID	Point #
Manual release switch disabled	pi Exp. ID	FB	Point #	FBNNXXPPPP	1	571	Exp. ID	Point #
Manual release switch enabled	pi Exp. ID	FU	Point #	FUNNXXPPPP	3	571	Exp. ID	Point #
Manual release switch trouble (Water Release Zone)	pi Exp. ID	FT	Point #	FTNNXXPPPP	1	373	Exp. ID	Point #
Manual release switch trouble restore (Water Release Zone)	pi Exp. ID	FJ	Point #	FJNNXXPPPP	3	373	Exp. ID	Point #
Notification output point disabled	pi Exp. ID	FB	Point #	FBNNXXPPPP	1	571	Exp. ID	Point #
Notification output point enabled	pi Exp. ID	FU	Point #	FUNNXXPPPP	3	571	Exp. ID	Point #
Notification output point trouble	pi Exp. ID	FT	Point #	FTNNXXPPPP	1	320	Exp. ID	Point #
Notification output point trouble restore	pi Exp. ID	FJ	Point #	FJNNXXPPPP	3	320	Exp. ID	Point #
Positive Alarm Sequence acknowledge switch disabled	pi Exp. ID	FB	Point #	FBNNXXPPPP	1	571	Exp. ID	Point #
Positive Alarm Sequence acknowledge switch enabled	pi Exp. ID	FU	Point #	FUNNXXPPPP	3	571	Exp. ID	Point #
Positive Alarm Sequence acknowledge switch trouble	pi Exp. ID	FT	Point #	FTNNXXPPPP	1	373	Exp. ID	Point #
Positive Alarm Sequence acknowledge switch trouble restore	pi Exp. ID	FJ	Point #	FJNNXXPPPP	3	373	Exp. ID	Point #
Status Point Trouble	pi Exp. ID	UT	Point #	UTNNXXPPPP	1	379	Exp. ID	Point #
Status Point Trouble Restored	pi Exp. ID	UJ	Point #	UJNNXXPPPP	3	379	Exp. ID	Point #
Status Point is Disabled	pi Exp. ID	UB	Point #	UBNNXXPPPP	1	580	Exp. ID	Point #
Status Point is Enabled	pi Exp. ID	UU	Point #	UUNNXXPPPP	3	580	Exp. ID	Point #
Supervisory/Tamper Alarm	pi Exp. ID	FS	Point #	FSNNXXPPPP	1	200	Exp. ID	Point #
Supervisory/Tamper Alarm Restore	pi Exp. ID	FR	Point #	FRNNXXPPPP	3	200	Exp. ID	Point #
Supervisory/Tamper point disabled	pi Exp. ID	FB	Point #	FBNNXXPPPP	1	571	Exp. ID	Point #
Supervisory/Tamper point enabled	pi Exp. ID	FU	Point #	FUNNXXPPPP	3	571	Exp. ID	Point #
Supervisory/Tamper point trouble	pi Exp. ID	FT	Point #	FTNNXXPPPP	1	373	Exp. ID	Point #

Table 10.2 Reporting Formats Table (Continued)

Event Description	SIA Reporting Format				Contact ID Reporting Format			
	Module ID # (If Any)	SIA Event Codes	Parameter	Fixed Length Format NN - panel ID XX- SBUS ID ZZZ- Zone # PPPP- Point # GGG- Group # E- Emergency # RRRR-Receiver #	Qualifier	Event Code	Group #	Contact #
Supervisory/Tamper point trouble restore	pi Exp. ID	FJ	Point #	FJNNXXPPPP	3	373	Exp. ID	Point #
System-based AUX1 switch alarm	pi Exp. ID	UA	Point #	UANNXXPPPP	1	140	Exp. ID	Point #
System-based AUX1 switch alarm restore	pi Exp. ID	UH	Point #	UHNNXXPPPP	3	140	Exp. ID	Point #
System-based AUX1 switch disabled	pi Exp. ID	UB	Point #	UBNNXXPPPP	1	571	Exp. ID	Point #
System-based AUX1 switch enabled	pi Exp. ID	UU	Point #	UUNNXXPPPP	3	571	Exp. ID	Point #
System-based AUX1 switch trouble	pi Exp. ID	UT	Point #	UTNNXXPPPP	1	373	Exp. ID	Point #
System-based AUX1 switch trouble restore	pi Exp. ID	UJ	Point #	UJNNXXPPPP	3	373	Exp. ID	Point #
System-based AUX2 switch alarm	pi Exp. ID	UA	Point #	UANNXXPPPP	1	140	Exp. ID	Point #
System-based AUX2 switch alarm restore	pi Exp. ID	UH	Point #	UHNNXXPPPP	3	140	Exp. ID	Point #
System-based AUX2 switch disabled	pi Exp. ID	UB	Point #	UBNNXXPPPP	1	571	Exp. ID	Point #
System-based AUX2 switch enabled	pi Exp. ID	UU	Point #	UUNNXXPPPP	3	571	Exp. ID	Point #
System-based AUX2 switch trouble	pi Exp. ID	UT	Point #	UTNNXXPPPP	1	373	Exp. ID	Point #
System-based AUX2 switch trouble restore	pi Exp. ID	UJ	Point #	UJNNXXPPPP	3	373	Exp. ID	Point #
Voice Aux ECS 1 Point Alarm	pi Exp. ID	UA	(3PPP) PPP - Point #	UANNXX3PPP	1	171	Exp. ID	Point #
Voice Aux ECS 1 Point Alarm Restore	pi Exp. ID	UH	(3PPP) PPP - Point #	UHNNXX3PPP	3	171	Exp. ID	Point #
Voice Aux ECS 2 Point Alarm	pi Exp. ID	UA	(4PPP) PPP - Point #	UANNXX4PPP	1	172	Exp. ID	Point #
Voice Aux ECS 2 Point Alarm Restore	pi Exp. ID	UH	(4PPP) PPP - Point #	UHNNXX4PPP	3	172	Exp. ID	Point #
Voice Aux ECS 3 Point Alarm	pi Exp. ID	UA	(5PPP) PPP - Point #	UANNXX5PPP	1	173	Exp. ID	Point #
Voice Aux ECS 3 Point Alarm Restore	pi Exp. ID	UH	(5PPP) PPP - Point #	UHNNXX5PPP	3	173	Exp. ID	Point #
Voice Aux ECS 4 Point Alarm	pi Exp. ID	UA	(6PPP) PPP - Point #	UANNXX6PPP	1	174	Exp. ID	Point #
Voice Aux ECS 4 Point Alarm Restore	pi Exp. ID	UH	(6PPP) PPP - Point #	UHNNXX6PPP	3	174	Exp. ID	Point #
Voice Aux ECS Point Trouble	pi Exp. ID	UT	Point #	UTNNXXPPPP	1	379	Exp. ID	Point #
Voice Aux ECS Point Trouble Restore	pi Exp. ID	UJ	Point #	UJNNXXPPPP	3	379	Exp. ID	Point #
Voice Aux ECS Point Disabled	pi Exp. ID	UB	Point #	UBNNXXPPPP	1	580	Exp. ID	Point #
Voice Aux ECS Point Enabled	pi Exp. ID	UU	Point #	UUNNXXPPPP	3	580	Exp. ID	Point #
Voice Aux Status 1 Switch is Trouble	pi Exp. ID	UT	Point #	UTNNXXPPPP	1	379	Exp. ID	Point #
Voice Aux Status 1 Switch is Trouble Restored	pi Exp. ID	UJ	Point #	UJNNXXPPPP	3	379	Exp. ID	Point #
Voice Aux Status 1 Switch is Disabled	pi Exp. ID	UB	Point #	UBNXXPPPP	1	580	Exp. ID	Point #
Voice Aux Status 1 Switch is Enabled	pi Exp. ID	UU	Point #	UUNXXPPPP	3	580	Exp. ID	Point #
Voice Aux Status 2 Switch is Trouble	pi Exp. ID	UT	Point #	UTNNXXPPPP	1	379	Exp. ID	Point #
Voice Aux Status 2 Switch is Trouble Restored	pi Exp. ID	UJ	Point #	UJNNXXPPPP	3	379	Exp. ID	Point #
Voice Aux Status 2 Switch is Disabled	pi Exp. ID	UB	Point #	UBNNXXPPPP	1	580	Exp. ID	Point #
Voice Aux Status 2 Switch is Enabled	pi Exp. ID	UU	Point #	UUNNXXPPPP	3	580	Exp. ID	Point #
Water flow switch alarm	pi Exp. ID	SA	Point #	SANNXXPPPP	1	113	Exp. ID	Point #
Water flow switch alarm restore	pi Exp. ID	SH	Point #	SHNNXXPPPP	3	113	Exp. ID	Point #
Water flow switch disabled	pi Exp. ID	SB	Point #	SBNNXXPPPP	1	571	Exp. ID	Point #

Table 10.2 Reporting Formats Table (Continued)

Event Description	SIA Reporting Format				Contact ID Reporting Format			
	Module ID # (If Any)	SIA Event Codes	Parameter	Fixed Length Format NN - panel ID XX- SBUS ID ZZZ- Zone # PPPP- Point # GGG- Group # E- Emergency # RRRR-Receiver #	Qualifier	Event Code	Group #	Contact #
Water flow switch enabled	pi Exp. ID	SU	Point #	SUNNXXPPPP	3	571	Exp. ID	Point #
Water flow switch trouble	pi Exp. ID	ST	Point #	STNXXPPPP	1	373	Exp. ID	Point #
Water flow switch trouble restore	pi Exp. ID	SJ	Point #	SJNXXPPPP	3	373	Exp. ID	Point #
Zone-based AUX1 switch alarm	pi Exp. ID	UA	Point #	UANNXXPPPP	1	140	Exp. ID	Point #
Zone-based AUX1 switch alarm restore	pi Exp. ID	UH	Point #	UHNXXPPPP	3	140	Exp. ID	Point #
Zone-based AUX1 switch disabled	pi Exp. ID	UB	Point #	UBNXXPPPP	1	571	Exp. ID	Point #
Zone-based AUX1 switch enabled	pi Exp. ID	UU	Point #	UUNXXPPPP	3	571	Exp. ID	Point #
Zone-based AUX1 switch trouble	pi Exp. ID	UT	Point #	UTNXXPPPP	1	373	Exp. ID	Point #
Zone-based AUX1 switch trouble restore	pi Exp. ID	UJ	Point #	UJNXXPPPP	3	373	Exp. ID	Point #
Zone-based AUX2 switch alarm	pi Exp. ID	UA	Point #	UANNXXPPPP	1	140	Exp. ID	Point #
Zone-based AUX2 switch alarm restore	pi Exp. ID	UH	Point #	UHNXXPPPP	3	140	Exp. ID	Point #
Zone-based AUX2 switch disabled	pi Exp. ID	UB	Point #	UBNXXPPPP	1	571	Exp. ID	Point #
Zone-based AUX2 switch enabled	pi Exp. ID	UU	Point #	UUNXXPPPP	3	571	Exp. ID	Point #
Zone-based AUX2 switch trouble	pi Exp. ID	UT	Point #	UTNXXPPPP	1	373	Exp. ID	Point #
Zone-based AUX2 switch trouble restore	pi Exp. ID	UJ	Point #	UJNXXPPPP	3	373	Exp. ID	Point #
System-based Wireless Gateway Trouble	pi Exp. ID	UT	Point #	UTNXXPPPP	1	373	Exp. ID	Point #
System-based Wireless Gateway Trouble - restore	pi Exp. ID	UJ	Point #	UJNXXPPPP	3	373	Exp. ID	Point #
Wireless Gateway Trouble	pi Exp. ID	UT	Point #	UTNXXPPPP	1	373	Exp. ID	Point #
Wireless Gateway Trouble restore	pi Exp. ID	UJ	Point #	UJNXXPPPP	3	373	Exp. ID	Point #

Table 10.2 Reporting Formats Table (Continued)

10.2 SIA / TR-75 Panels PI Modifier Reporting

Events are sent to the Central Station as a variable length string:

The Event Format is:

EEZZZZ

Where the Event Format is defined as follows:

Code	Event Code Description
EE	Event Code (2 characters)
ZZZZ	Event parameter (up to four digits – not zero filled)

- The account number is sent using an account block that is separate from the event block.
- Multiple events can be sent within a single event block. Events are separated by a “/” character.
- The event parameter can be a zone, point or module number.
- When reporting-by-point is enabled, the communicator uses a “pi” event to supersede the actual point event to report the module to which the point is linked.
- The panel ID is not sent in the SIA event parameters.

See Table 10.3 below for an example.

Event	Report Zone/Point	Panel ID	Module	Zone ZZZZ	Point ZZZZ	Fields Sent	SIA Event Data
Fire Alarm-Zone	Zone	n/a	n/a	15	n/a	EE-ZZ	FA15
Fire Alarm-Zone	Zone	n/a	n/a	05	n/a	EE-Z	FA5
Fire Alarm-Point	Point	n/a	01	n/a	123	EE-ZZ/EE-ZZZ	pi01/FA123
Fire Alarm-Point	Point	n/a	33	n/a	203	EE-ZZ/EE-ZZZ	pi11/FA203
Expander Trouble	n/a	n/a	11	n/a	n/a	EE-ZZ	ET11
Auto Test	n/a	n/a	n/a	n/a	n/a	EE-Z	RP0
Battery Trouble-Panel 32	n/a	n/a	98	n/a	n/a	EE-ZZ	YT98
Battery Trouble-Expander 18	n/a	n/a	18	n/a	n/a	EE-ZZ	YT18
SLC Loop Shorted	n/a	n/a	44	n/a	n/a	EE-ZZ	ET44
Program Begin Panel ID=32	n/a	n/a	n/a	n/a	n/a	EE-Z	LB0
Program Begin Panel ID= 22	n/a	n/a	n/a	n/a	n/a	EE-Z	LB0
AC Power Loss - Panel 22	n/a	n/a	98	n/a	n/a	EE-Z	AT0
Fire Trouble	Point	n/a	97	n/a	200	EE-ZZ/EE-ZZZ	pi97/FT200
Fire Trouble	Zone	n/a	97	01	n/a	EE-Z	FT1
Fire Trouble-NAC	Point	n/a	98	n/a	NAC Circuit 2	EE-ZZ/EE-Z	pi98/FT2Z=Pt. #
Fire Trouble-NAC	Zone	n/a	98	n/a	NAC Circuit 2	EE-ZZZ	FT98 ZZZ=OP

Table 10.3 SIA- TR-75 Panels - PI Modifier Reporting Examples

10.3 SIA– TR-75 Panel Communicator

(Differences/additional features are underlined).

Events are sent to the Central Station Receiver as a fixed length string.

The event format is:

EEPPMMZZZZ

where the event format is defined as follows:

Code	Event Code Description
EE	Event code (2 characters)
PP	Panel number (2 digits – Zero Filled) (valid range from 1 to 64)
MM	Module number (2 digits – Zero Filled) (valid range from 1 to 98, typically Module information)
ZZZZ	Event parameter (4 digits – <u>Zero Filled</u>) (typically Point, Zone or Circuit information)

1. The Event field will contain 10 digits including the 2-digit Event Code (EE), 2-digit panel ID (PP), 2-digit Module Number (MM) and a 4-digit Event Parameter (ZZZZ).
2. Based on the actual Event Code, the Module Number or Event Parameter fields might not contain pertinent information. In that case, the field will contain zeros.
3. The account number is sent using an account block that is separate from the event block.
4. Multiple events can be sent within a single event block. Events are separated by a “/” character.
5. Event parameter can be a zone, point or circuit number.
6. “Pi” modifier event is not used.
7. The panel can be set to report by either point or zone.

For examples, see Table 10.4.

Event	Report Zone/Point	Panel ID PP	Module MM	Zone ZZZZ	Point ZZZZ	Fields Sent	SIA Event Data
Fire Alarm-Zone	Zone	32	n/a	15	n/a	EE-PP-MM-ZZZZ	FA32000015
Fire Alarm-Zone	Zone	32	n/a	05	n/a	EE-PP-MM-ZZZZ	FA32000005
Fire Alarm-Point	Point	32	01	n/a	123	EE-PP-MM-ZZZZ	FA32010123
Fire Alarm-Point	Point	21	33	n/a	203	EE-PP-MM-ZZZZ	FA21330203
Expander Trouble	n/a	15	11	n/a	n/a	EE-PP-MM-ZZZZ	ET15110000
Auto Test	n/a	32	n/a	n/a	n/a	EE-PP-MM-ZZZZ	RP32000000
Battery Trouble-Panel 32	n/a	32	98	n/a	n/a	EE-PP-MM-ZZZZ	YT32980000
Battery Trouble-Expander 18	n/a	32	18	n/a	n/a	EE-PP-MM-ZZZZ	YT32180000
SLC Loop Shorted	n/a	01	44	n/a	n/a	EE-PP-MM-ZZZZ	ET01440000
Program Begin	n/a	32	n/a	n/a	n/a	EE-PP-MM-ZZZZ	LB32000000
Program Begin	n/a	22	n/a	n/a	n/a	EE-PP-MM-ZZZZ	LB22000000
AC Power Loss- Panel 22	n/a	22	98	n/a	n/a	EE-PP-MM-ZZZZ	AT22980000 MM = 00
Fire Trouble	Point	22	97	n/a	200	EE-PP-MM-ZZZZ	FT22970200
Fire Trouble	Zone	22	97	1	n/a	EE-PP-MM-ZZZZ	FT22970001 MM = 00
Fire Trouble-NAC	Point	22	98	n/a	NAC Circuit 2	EE-PP-MM-ZZZZ	FT22980002 ZZZZ=Pt. #
Fire Trouble-NAC	Zone	22	98	n/a	NAC Circuit 2	EE-PP-MM-ZZZZ	FT22980002 ZZZZ=OPG #

Table 10.4 SIA Reporting Examples

Section 11: Testing and Troubleshooting

11.1 Troubleshooting

This section of the manual offers suggestions for troubleshooting hardware problems. Please read this section if you encounter a problem when you install the fire alarm control panel. If these suggestions do not solve your problem or if you encounter a problem that is not listed, contact Triga technical support for assistance.

11.2 Troubleshooting Common Problems

Problem	Possible Cause / Suggested Actions
Trouble message "DBL ADDR" (Double Address) displays on LCD.	An address has been assigned to more than one detector. Check detector addresses for duplications. For information on setting the SLC address, refer to the <i>SLC Wiring Manual</i> .
Auxiliary power or notification circuits have incorrect polarity.	Correct polarity. For notification and auxiliary power circuits, terminals labeled "X" are positive, terminals labeled "O" are negative.
SLC devices are not being recognized (trouble message "Missing" displays).	Check hardware connections. If devices are physically connected, make sure the wiring is correct. For more information on SLC wiring, refer to the <i>SLC Wiring Manual</i> . For the main panel, the positive side of the device must be connected to Terminal 34; the negative side must be connected to Terminal 33. For SLC devices, make sure the device connects to the SLC loop via the SLC OUT terminals.
	Make sure SLC devices have been addressed properly. For information on the procedure to set the SLC Devices addresses, refer to the <i>SLC Wiring Manual</i> .
	Make sure the correct polarity has been observed for SLC device wiring. For more information on SLC devices, refer to the <i>SLC Wiring Manual</i> .
SLC devices are not being recognized (trouble message "Missing" displays on the annunciator).	Check that SLC loop impedance is within the required range. To measure impedance, use the following procedure. Disconnect both wires from the terminal block at the panel (SLC devices can remain connected). Measure the impedance from positive to negative and from negative to positive. Both measurements should be greater than 500 K ohms. If the installation uses T-taps, test each T-tap individually. Temporarily connect the positive wire to the negative wire of the SLC loop at the point farthest from the panel (SLC devices can remain connected). Measure the impedance from positive to negative and from negative to positive. Both measurements must be less than 50 ohms.

Table 11.1 Troubleshooting Chart

11.2.1 Periodic Testing And Maintenance

To ensure proper and reliable operation, it is recommended that the System inspection and testing be scheduled monthly or as required by the national and/or local fire codes. Testing should be done by a qualified services representative if a malfunction is encountered.

Before testing:

1. Notify the fire department and/or the Central Alarm Receiving Station if an alarm condition is transmitted.
2. Notify the facility personnel of a test so that the alarm sounding devices are ignored during the test period.
3. When necessary, activation of notification appliances can be prevented by the DISABLE function.

Testing:

1. Activate an input via an alarm initiating device and check that the correct outputs activate (notification appliances sound/flash, relays activate, alarm LED lights). Reset the system. Repeat for each alarm initiating device.
2. Momentarily open the following circuits one at a time and check for a trouble signal:
 - notification appliance (bell) circuits
 - initiating devices
3. If new batteries were installed, wait 48 hours before completing this step. Remove the AC power, activate the initiating device, and check that the following occurs:
 - The ALARM indicator lights.
 - All active notification appliances sound.

Measure the battery voltage while the notification appliances are sounding. Replace any battery with terminal voltage less than 85% of rating. Reapply the AC power and reset the system.

11.2.2 Event History

The event history can be useful for tracking or recalling a trouble condition.

To view event history:

1. Login to the panel.
2. Press 3 to select Event History.
3. Press the up or down arrow key to view events in the history buffer.

11.3 Built-in Troubleshooting and Testing Tools

The FACP has several built-in testing and troubleshooting tools that can be used to save time while testing and troubleshooting points and SLC devices.

11.3.1 SLC Device Locator

The SLC device locator can be used to locate a device on a SLC loop.

Follow these steps to locate a particular SLC device:

1. Select 2 (Point Functions) from the main menu.
2. Select 4 (SLC Dev Locator).

A message similar to the one shown below will display.

```
System will be shut
down during SLC
device locating:
Continue? NO
```

Figure 11.1 Shut Down Warning

3. Press the up or down arrow key to toggle NO to YES and then press ENTER.
If you select NO, the system exits back to the Point Function Menu.
If you select YES, the system will cease normal operation, leaving the premises unprotected.
4. Select the SLC loop.
5. Enter the SLC address of the device you want to locate.
The LED on the selected device will start flashing.
6. Press left arrow key to exit the SLC device locator function.



NOTE: The system will resume normal operation once you exit SLC Device Locator.

11.3.2 SLC Multi Locator

This feature is operates in the same way as the SLC Device Locator, except you can locate up to eight devices on a single search.

To locate multiple SLC devices, refer to the following steps.

1. From the Main Menu, select 2 (Point Functions).
2. Select 5 (SLC Multi Locator).

A message similar to the one shown below will display.

```
System will be shut
down during SLC
device locating:
Continue? NO
```

Figure 11.2 Shut Down Warning

3. Press the up or down arrow key to toggle NO to YES then press ENTER.
If you select NO, the system will exit back to the Point Function Menu.
If you select YES, the system will cease normal operation, leaving the premises unprotected.
4. Select the SLC loop.
5. Enter up to eight SLC addresses for the devices you want to locate.
The LEDs on the selected devices will start flashing.
6. Press the left arrow key to exit the SLC multi-locator function.



NOTE: The system will resume normal operation once you exit SLC Device Locator.

11.3.3 I/O Point Control

This feature allows you to toggle any output on or off and trip any input device. This option can be useful to test a point's output mapping. I/O Point Control can only be accessed if enabled in the user profile.

Follow these steps to control an I/O point:

1. From the Main Menu, select 2 (Point Functions).
2. Select 6 (I/O Point Control).
3. Select the module the point is on.
4. Enter the point number, or press the up or down arrow key to select the point you want to test, and then press ENTER.

5. Press ENTER to generate an alarm for an input point or activate an output point.
6. To exit, press the left arrow key.

11.4 Earth Fault Resistance

Table 11.2 lists the Earth Fault Resistance Detection for each applicable terminal on the FACP.

TERMINAL (values in kohms)	LOW BIASED		HIGH BIASED	
	high trip	high restore	low trip	low restore
NAC 1 -	0	0		
NAC 1 +			0	0
NAC 2 -	0	0		
NAC 2 +			0	0
SBUS -			0	0
SBUS +	0	0		
SBUS A			0	0
SBUS B			0	0
SLC IN -			0	0
SLC IN +	0	0		
SLC OUT -			0	0
SLC OUT +	0	0		

Table 11.2 Earth Fault Resistance

Section 12: Installation Records

Use this section of the manual as a reference list to track how points, zones, and groups are programmed.

12.1 SLC Device Point Record

You can use Table 12.1 and to keep track of SLC detectors and modules. Default addresses for ID: Onboard: = 97

Detector	Addr	Zone / Group	Description
Onboard	1		
Onboard	3		
Onboard	5		
Onboard	7		
Onboard	9		
Onboard	11		
Onboard	13		
Onboard	15		
Onboard	17		
Onboard	19		
Onboard	21		
Onboard	23		
Onboard	25		
Onboard	27		
Onboard	29		
Onboard	31		
Onboard	33		
Onboard	35		
Onboard	37		
Onboard	39		
Onboard	41		
Onboard	43		
Onboard	45		
Onboard	47		
Onboard	49		
Onboard	51		
Onboard	53		
Onboard	55		
Onboard	57		
Onboard	59		
Onboard	61		
Onboard	63		
Onboard	65		
Onboard	67		
Onboard	69		
Onboard	71		
Onboard	73		
Onboard	75		

Detector	Addr	Zone/ Group	Description
Onboard	2		
Onboard	4		
Onboard	6		
Onboard	8		
Onboard	10		
Onboard	12		
Onboard	14		
Onboard	16		
Onboard	18		
Onboard	20		
Onboard	22		
Onboard	24		
Onboard	26		
Onboard	28		
Onboard	30		
Onboard	32		
Onboard	34		
Onboard	36		
Onboard	38		
Onboard	40		
Onboard	42		
Onboard	44		
Onboard	46		
Onboard	48		
Onboard	50		
Onboard	52		
Onboard	54		
Onboard	56		
Onboard	58		
Onboard	60		
Onboard	62		
Onboard	64		
Onboard	66		
Onboard	68		
Onboard	70		
Onboard	72		
Onboard	74		

Table 12.1 Detector Installation Record

Appendix A: Editing Text Using the Built-In Programmer

This section contains the tables of programmable characters that may be used for the device, module, site, template, group, and zone names. T9 style editing is used.

A.1 Characters Used for Editing Text

Table A.1 lists the available characters and their associated numeric designator. When programming, do the following.

1. Use the up or down arrow key to scroll to the mode you want to select.
2. Press the number shown in Table A.1 until the character you want to select is shown.
3. Press the left and right arrow key to move the cursor, and press ENTER to accept.

Lower Case Letters							
abc	1	def	2	ghi	3	jkl	4
mno	5	pqr	6	stu	7	vwx	8
yz	9	Spc	0				
Upper Case Letters							
ABC	1	DEF	2	GHI	3	JKL	4
MNO	5	PQR	6	STU	7	VWX	8
YZ	9	Spc	0				
Numbers and Special Characters							
1 []	1	2 ()	2	3 . ,	3	4 : ;	4
5 ' "	5	6 ? !	6	7 ' /	7	8 - +	8
9 = -	9	0	0	* & @	*	# \$	#

Table A.1 Character Table

A.2 Edit Name Example

1. Press the up or down arrow key to select the upper case letters mode, Press 2 until “F” appears.
2. Press the up or down arrow key to change the mode to lower case letters, Press 3 until “i” appears.
3. Press 6 until “r” appears.
4. Press 2 until “e” appears.
5. Press 0 to space, then continue to the next word using the same process.
6. Press ENTER to accept.



NOTE: After three seconds of no change, the system will automatically accept the letter. Also, if you press the next number, the system will automatically accept previous choice.

left/right: position
up/down: mode

<pre> <Module Name> Fire Door ___ 1[abc] 2[def] 3[ghi] 4[jkl] 5[mno] 6[pqr] </pre>	<pre> Enter: Accept Fire Door ___ 7[stu] 8[vwx] 9[yz] 0[Spc] </pre>
--	--

Figure A.1 Edit Name Example

Appendix B: Expanded Receiver/Panel Relationship

The available Receiver Number will correspond with the panel number you entered. The Receiver Numbers are populated based on the panel number and they are audited to allow only the four appropriate receivers. See Section 6.2.6.

Panel	Available Receiver Numbers			
1	1	2	3	4
2	5	6	7	8
3	9	10	11	12
4	13	14	15	16
5	17	18	19	20
6	21	22	23	24
7	25	26	27	28
8	29	30	31	32
9	33	34	35	36
10	37	38	39	40
11	41	42	43	44
12	45	46	47	48
13	49	50	51	52
14	53	54	55	56
15	57	58	59	60
16	61	62	63	64
17	65	66	67	68
18	69	70	71	72
19	73	74	75	76
20	77	78	79	80
21	81	82	83	84
22	85	86	87	88
23	89	90	91	92
24	93	94	95	96
25	97	98	99	100
26	101	102	103	104
27	105	106	107	108
28	109	110	111	112
29	113	114	115	116
30	117	118	119	120
31	121	122	123	124
32	125	126	127	128

Table B.1 Receiver/Panel Relationship

Appendix C: Cadence Patterns

Table C.1 shows the cadence patterns available for use with the control panel.

#	Name	Pattern Description (Patterns repeat until condition is cleared.)
00	Constant	Continuous sound (This is the only pattern that can be used for relay circuits. The system will override any other choice.)
01	March Time	0.5 second on, 0.5 second off
02	ANSI 3.41	0.5 sec on, 0.5 sec off, 0.5 sec on, 0.5 sec off, 0.5 sec on, 1.5 sec off
03	Single Stroke	0.1 sec on, 1 sec off, 0.1 sec on, 1 sec off, 0.1 sec on, 3 sec off
04	California	5 sec on, 10 sec off
05	Zone-coded, Zone 1	0.5 sec on, 0.5 sec off
06	Zone-coded, Zone 2	This pattern is multiplied by the zone number in alarm, followed by 3 seconds off. For example, Pattern 6, Zone 2 coded: (pattern x two): 0.5 sec on, 0.5 sec off, 0.5 sec on, 0.5 sec off, 3 sec off
07	Zone-coded, Zone 3	
08	Zone-coded, Zone 4	
09	Zone-coded, Zone 5	
10	Zone-coded, Zone 6	
11	Zone-coded, Zone 7	
12	Zone-coded, Zone 8	
13	Zone-coded, Custom 1	
14	Zone-coded, Custom 2	
15	Zone-coded, Custom 3	
16	Zone-coded, Custom 4	
17	Sync Type- Faraday (N/A)	These outputs provide synchronization for Gentex, System Sensor, Wheelock, or AMESECO synchronized appliances.
18	Sync Type- Gentex	
19	Sync Type- System Sensor	
20	Sync Type- Wheelock	
21	Sync Type- AMSECO	
22	Power Isolated	Disconnected. No voltage at terminals.
23	Temporal 4	0.1 sec on, 0.1 sec off, 0.1 sec on, 0.1 sec off, 0.1 sec on, 0.1 sec off, 0.1 sec on, 5 sec off,

Table C.1 Cadence Patterns

Appendix D: Panel Security

Panel Installation / Maintenance Security Checklist

System Description: _____

System Location: _____

Installer: _____ Date: _____

Complete the following Cybersecurity Tasks for Each Panel Installation

- Install the panel in a secure location considering both software and hardware vulnerabilities.
- Change the default password to a unique password.
- Securely configure networks and firewalls.
- Assess security risks.
- Develop a Disaster and Recovery Plan.
- Develop a Backup and Recovery Strategy.
- Install, configure and keep anti virus software updated on all computers which access the panel.
- Keep operating system updated on all computers which access the panel.
- Deliver all required system information upon delivery to the system owner.
- Train end-users on security maintenance tasks upon system delivery.
- For decommissioning, dispose of data securely.
- Ensure the Ethernet cable is removed from the FACP when not being utilized for configuration or for reporting purposes.

Security and Data Protection

Communication Security - Level 1

Stored Data Security - Level 0

Physical Security - Level 1

Access Control Security - Level 1



Model TR-75 Basic Operating Instructions

These instructions must be framed and displayed next to the TR-75 panel in accordance with NFPA 72 fire code for Local Protected Fire

Alarm Systems. Test the system in accordance to NFPA 72.

Operation	Task to Perform
Silence Alarms and Troubles	Press SILENCE and then enter a code if prompted. The Silence LED will light.
Reset Alarms	Press RESET and then enter a code if prompted.
View Alarms, Supervisories, and Troubles	<p>Press up or down arrow to view Alarms, Supervisories, or Troubles.</p> <div style="display: flex; justify-content: space-around;"> <div style="border: 1px solid black; padding: 5px; width: 45%;"> <pre>FIRE: ALARM SUPR TRBL CO: ALARM SUPR SYS: TRBL</pre> </div> <div style="border: 1px solid black; padding: 5px; width: 45%;"> <pre>FIRE: ALARM Waterflow Sw Zone_1 1 of 1 Info></pre> </div> </div>
View a Points Status	<ol style="list-style-type: none"> 1. Login to the panel. 2. Press 2 to select Point Functions. 3. Press 2 to select Point Status. 4. Select the desired module by using the up or down arrows. Then press ENTER. 5. Enter the point number.
Conduct a Fire Drill	<ol style="list-style-type: none"> 1. Login to the panel. 2. Press 1 to select System Tests. 3. Press 1 to select Fire Drill. 4. Press ENTER to start the fire drill. Press ENTER to end the fire drill.
Check Detector Sensitivity	<ol style="list-style-type: none"> 1. Login to the panel. 2. Press 2 for Point Status. 3. From the list that displays, select the SLC module where the desired point is located. 4. The fourth line of the display shows the sensitivity status. <ul style="list-style-type: none"> "NORMAL" means the detector is in compliance with NFPA 72. "CAL MAINT" means the detector is in compliance with NFPA 72 but maintenance should be performed soon. "CAL TRBLE" means the detector is not in compliance with NFPA 72.
Set Time and Date	<ol style="list-style-type: none"> 1. Login to the panel. 2. Press 4 to select Set Time & Date. 3. Make changes in the fields on the screen as necessary. 4. When the time and date are correct, press ENTER.
Enable / Disable a Point	<ol style="list-style-type: none"> 1. Rotate the key or enter a code to access to access Main Menu. 2. Press 2 to select Point Functions. 3. Press 1 to select Disable / Enable Point. 4. Press 7 to select Disable / Enable Point. 5. Use the up or down arrow to move through the list. Then press ENTER to select the module where the desired point is located. 6. Enter the point or circuit number that you want to disable/enable. 7. Press the right arrow key to toggle between NORMAL (enable) or DISABLE.
View Event History	<ol style="list-style-type: none"> 1. Login to the panel. 2. Press 3 to select Event History. 3. Press the up or down arrow to view events in the history buffer.
For Service Call:	

Cut along dotted line.

Cut along dotted line.



TRIGA Life Safety Systems, LLC

7600 Olde Eight Rd.

Hudson, OH 44236-1057

Telephone: +1-330-577-5199

www.trigaglobal.com

