



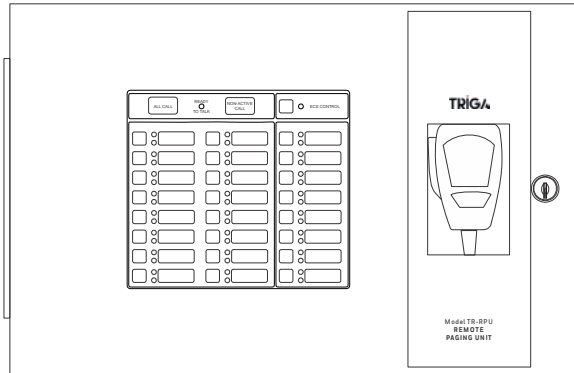
TR-RPU Remote Paging Unit Product Installation Document

TRIGA Life Safety Systems, LLC
7600 Olde Eight Rd, Hudson, Ohio, 44236-1057
Tel: +1 330-577-5199, Email: info@trigaglobal.com

PN LS10152-003TR-E:B 6/2/2022 ECN: 00003637

1 Description

The TR-RPU Remote Paging Unit provides a supervised microphone for live communication and is used as an interface for the Emergency Communication System. If the TR-RPU is intended to be fully functional as a Local Operator Console (LOC), it requires the installation of an associated TR-RD1G/R or TR-RD2G/R annunciator.



NOTE: The installation and wiring of this device must be done in accordance with NFPA 72 and local ordinances.

1.1 Compatibility

The TR-RPU is compatible with the TR-2100ECS Series FACP. For programming and DIP switch settings, refer to the *FACP Installation Manual*.

1.2 Electrical Ratings

- Standby Current: 70mA
- Alarm Current: 100mA

2 Cabinet Installation

1. Open the cabinet door. Remove the dead front panel screws and open the dead front panel.
2. Remove AC power and disconnect backup batteries from the main control panel.

When mounting the cabinet on interior walls, use the appropriate screws such as #10 sheetrock or concrete screws to anchor into plaster.

When mounting the cabinet on concrete, especially when moisture is expected, attach a piece of 3/4 inch plywood to the concrete surface and then attach the TR-RPU to the plywood.



NOTE: Installation and wiring of this device must be done in accordance with NFPA 72 and local ordinances.

2.1 Surface Mounting

The cabinet can be mounted on the wall by using the mounting holes in the back of the cabinet.

1. Insert two screws level with each other, 12" apart for the top cabinet key shaped holes.
2. Hang the cabinet onto the two screws and tighten them down.

3. Insert two screws into the two bottom mounting holes and tighten them snug to the cabinet.

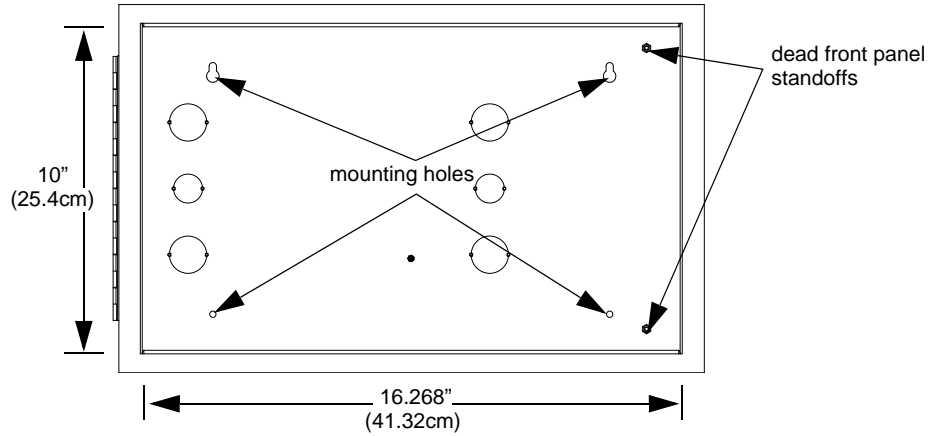


Figure 1 Cabinet Mounting Holes

2.2 Recessed Mounting

Follow these steps to recess mount the cabinet:

1. Remove the cabinet door and the dead front panel.
2. Cut a recess hole. There should be 1.5" to 1.75" (3.8cm to 4.4cm) of cabinet extruding from the wall. This space should be measured from either the top edge or bottom edge to the exterior side of the sheet rock.
3. Mount the cabinet to the wall studs by inserting a screw through the cabinets side mounting holes into the wall studs.
4. Re-attach the cabinet door and the dead front panel assembly.

2.3 Accessing the Board

When it is necessary to access the board, refer to the following steps to open the dead front panel at 180°.

1. Remove the two dead front panel screws near the microphone.
2. Loosen the two dead front panel hinge plate nuts that are located in the long slots.
3. Open the dead front panel 90 degrees and then pull the dead front forward.
4. Tighten the two nuts. The dead front panel will be able to swing open at 180°. Refer to Figure 2.

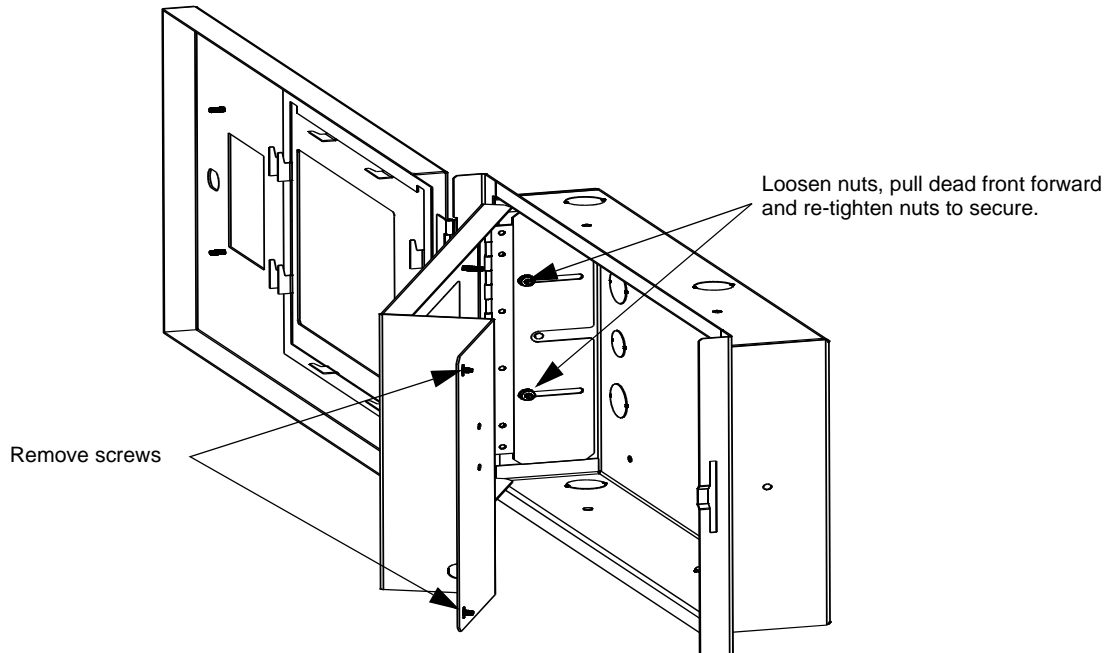


Figure 2 TR-RPU Dead Front Open 180°

2.4 Board Layout

Figure 3 illustrates the board layout.

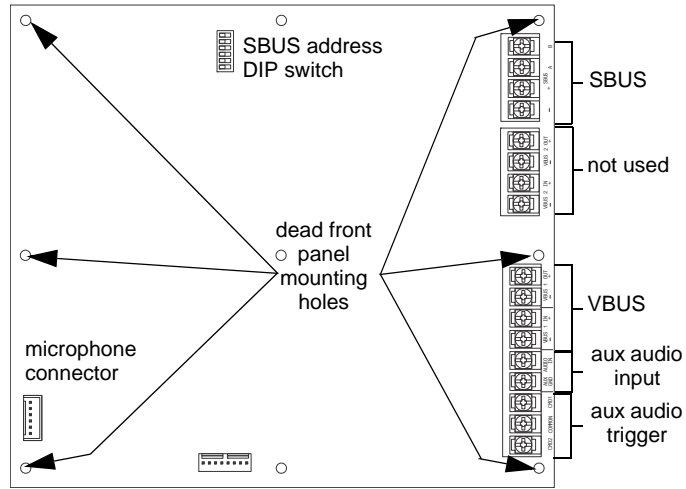


Figure 3 Back View of TR-RPU

3 Wiring to a FACP

To properly wire the TR-RPU to the FACP SBUS, see Figure 4 below.

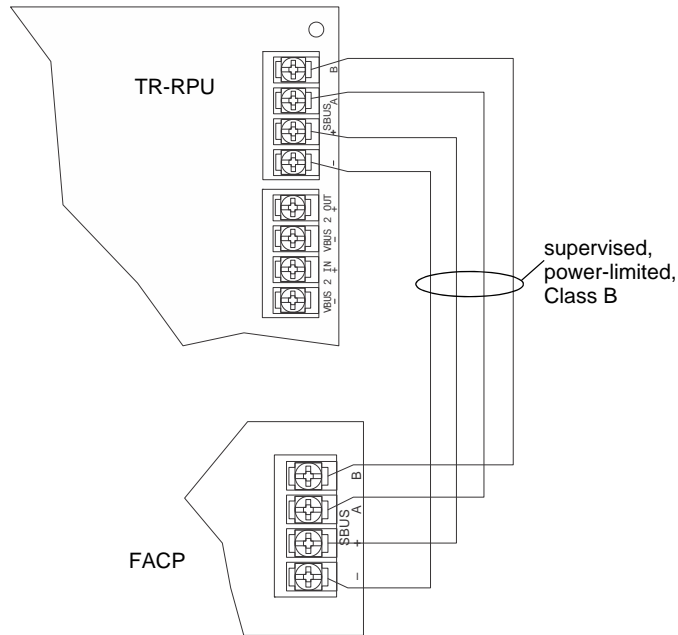


Figure 4 Wiring the TR-RPU to the FACP

4 Installing the Microphone

1. Clip the microphone onto the microphone clip.

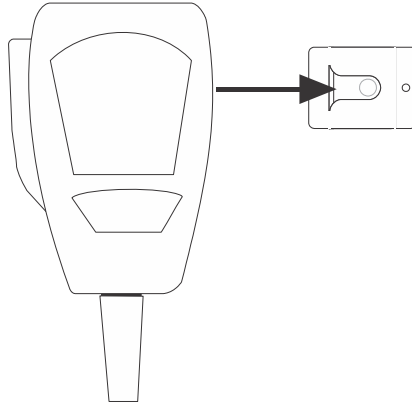


Figure 5 Hang Microphone onto Microphone Clip

2. Insert microphone cord through hole at the bottom of the dead front panel.

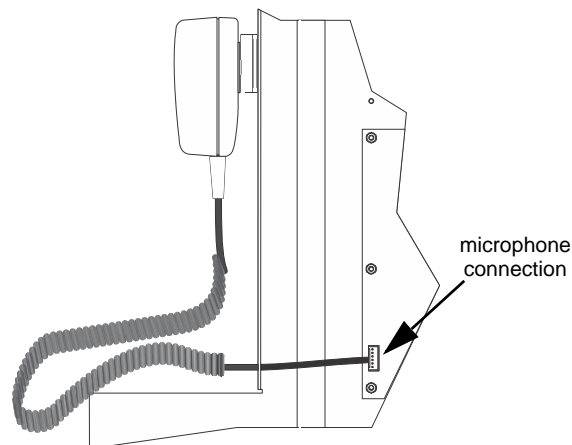


Figure 6 Microphone Cord Inserted Through Dead Front Panel Hole

3. Attach strain relief clip to microphone cord. The strain relief clip should have about 2.75" of microphone cord through it.

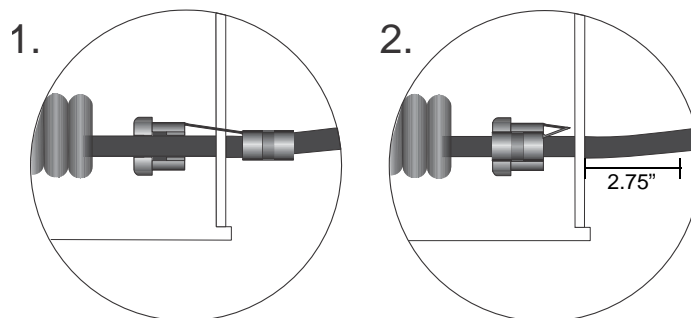


Figure 7 Installing Strain Relief Clip

4. Push the strain into the hole in the dead front panel.
5. Attach connector to the TR-RPU board.
6. Restore AC power and reconnect the backup batteries.

5 Optional Accessory

THUMBLTCH - Turn latch lock (not intended for UL installations).