



TR-RD2G/R Annunciator Product Installation Document

PN LS10261-002TR-E:B 5/25/2022 ECN: 00003637

TRIGA Life Safety Systems, LLC
7600 Olde Eight Rd, Hudson, Ohio, 44236-1057
Tel: +1 330-577-5199, Email: info@trigaglobal.com

1 Description

The TR-RD2R/G is an optional 4x40 remote annunciator that can be surface or flush-mounted. TR-RD2R is the red model. TR-RD2G is the gray model.

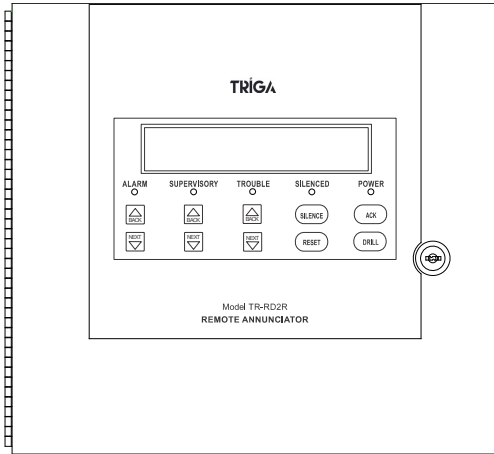


Figure 1 TR-RD2G/R Remote Annunciator

1.1 Compatibility

The TR-RD2R/G is compatible with the Triga Series FACPs. For more information, refer to the FACP Manual.

1.2 Specifications

Operating Voltage:		24VDC
Current	Standby Current:	27mA
	Alarm Current:	53mA
Operating Temperature:		32° to 120° F (0° to 49° C)
Dimensions	Flush Mount:	Overall: 12.25" W x 11.5" H x 0.875" D (31.1 cm W x 29.2 cm H x 2.2 cm D) Backbox: 9.25" W x 8.375" H (23.5cm W x 21.27cm H)
	Surface Mount:	Including trim ring: 12.25" W x 11.5" H x 3.0" D (31.1 cm W x 29.2 cm H x 7.6 cm D)

Table 1 Specifications

2 Installation

1. Ensure power is turned off at the panel.
2. Mount the TR-RD2R/G in the desired location. See Section 2.1.
3. Connect the TR-RD2R/G to the panel. See Figure 5.
4. Use the DIP switches on the back of the TR-RD2R/G to assign an ID number. Refer to the FACP manual.
5. The TR-RD2R/G module must be added to the system through FACP programming. JumpStart can be used to automatically add the module or it may be added manually. Refer to the *FACP Manual* for more information.

2.1 Mounting

2.1.1 Flush Mounting

Follow these steps to flush mount the TR-RD2R/G.

1. The backbox dimensions are 9.25" W x 8.375" H. The minimum depth required is 2". Mount the backbox using the mounting holes shown below.

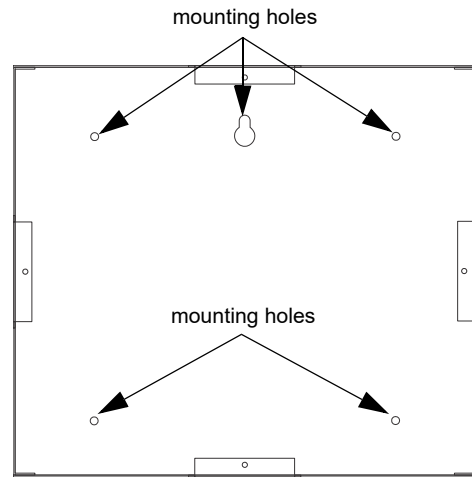


Figure 2 TR-RD2R/G Backbox Mounting

2. Remove knockouts as needed for wires. There are 10 knockouts available, two on each side and two in the back of the cabinet.
3. Wire the annunciator board to the main control panel as shown in Figure 5.
4. Attach the annunciator and door assembly to back box as shown below using the supplied screws.

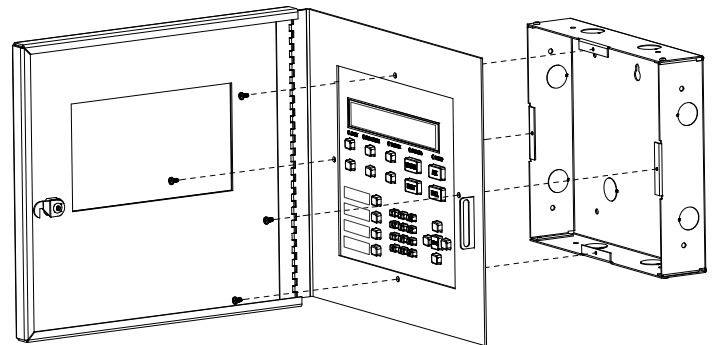


Figure 3 Attaching Annunciator/Door Assembly

2.1.2 Surface Mounting

The RA-100TR Red Trim Ring kit and RA-100TG Gray Trim Ring kit are available for use when surface mounting the TR-RD2R/G.

1. Remove the desired knockout.
2. Mark and pre-drill hole in the wall for the center top keyhole mounting bolt. Refer to Figure 2 for mounting hole locations.
3. Install center top fastener in the wall with the screw head protruding.
4. Place backbox over the top screw, level and secure.
5. Mark and drill the left and right upper and lower mounting holes.
6. Install remaining fasteners and tighten.
7. Run wires to the control panel. Refer to Figure 5.
8. Place the trim ring over the back box as shown below.

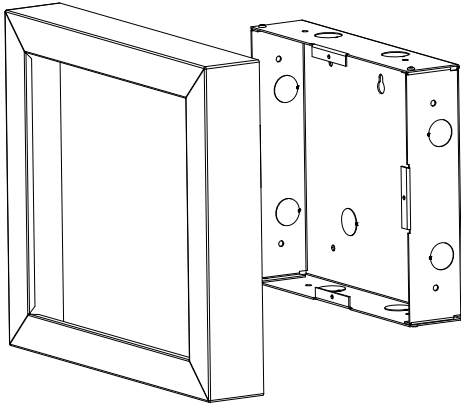


Figure 4 Installing Trim Ring

9. Attach the door assembly to the backbox using the screws provided. Refer to Figure 3.

3 Wiring Connections

Wire the TR-RD2R/G to the FACP as shown in below.

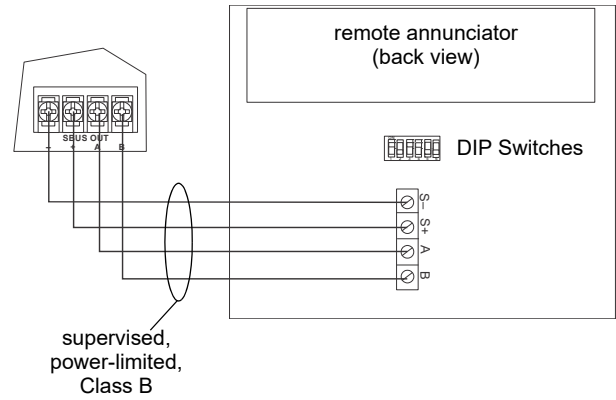


Figure 5 SBUS Connections