



TRIGA Life Safety Systems, LLC
 7600 Olde Eight Rd, Hudson, Ohio, 44236-1057
 Tel: +1 330-577-5199, Email: info@trigaglobal.com

TR-FPJ Firefighter's Phone Jack Product Installation Document

PN LS10306-001TR-E:B 5/23/2022 ECN: 00003637

1 Description

Use the following instructions as a quick reference guide. For more information, refer to the *TR-FFT Installation Manual*, PN LS10309-001TR-E.



Figure 1 TR-FPJ Remote Phone Jack

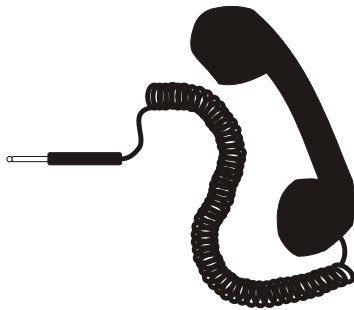


Figure 2 TR-RHS Fire Fighter's Remote Handset

2 Mounting

The TR-FPJ Firefighter's Phone Jack mounts to a single-gang electrical box (10.2cm x 5.4cm x 6.4cm). If the TR-FPJ is installed with an addressable mini monitor module, it mounts in a deep single-gang electrical box (10.2cm x 5.4cm x 8.3cm). All circuits are power-limited and supervised.

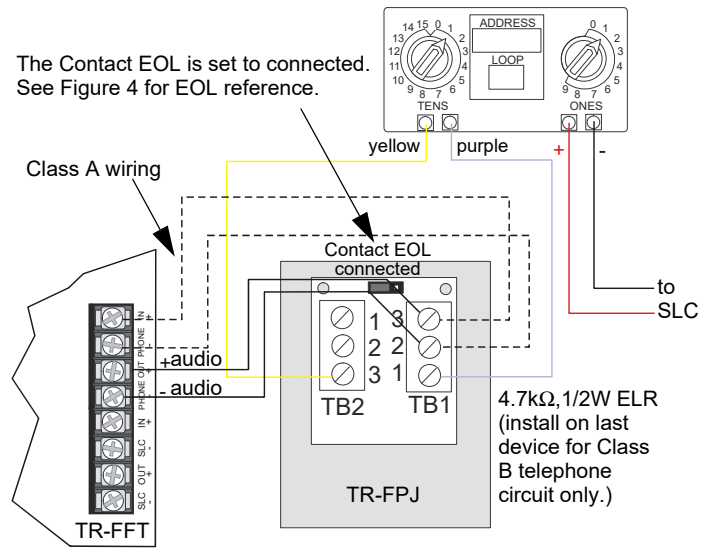


Figure 3 TR-FFT to TR-FPJ Connection



Figure 4 EOL Reference

3 Operation

To operate the TR-FPJ remote phone jack, do the following.

1. To make a call to the FACP, insert the remote handset plug into the TR-FPJ phone jack.
2. When the call is complete, remove the remote handset from the jack.